

SAFETY AND ASSEMBLY INFORMATION

SELECTING THE CORRECT LOCATION FOR YOUR PLAY PRODUCT IS IMPORTANT FOR YOUR CHILDREN'S SAFETY AND THE PRODUCT'S LONGEVITY

Dimensions:

- The Next Generation has One layout option.

Layout	Ground Dimension	Safe Play Area*
	6'81/2"x5'10"	17'-10"x18'-9"

*Level Ground Surface - See below

- Additional accessories may increase the size of the Safe Play Area.
- Max fall height 90"

General Information:

Your set has been designed and engineered for children only and for residential use only.
 A maximum of 150 lbs. per child is recommended for play activities designed for individual use.
 A maximum of 120 lbs. per child is recommended for play activities designed for multiple child use.
 A maximum of 9 children is recommended for this unit.

Safe Play Area:

- The safe play area refers to a zone extending 6' beyond the gym set on all sides, including the space above the gym set.
- The ground surface must be level. Installing your gym set on sloping ground can cause it to lean or "rack". This leaning puts additional stress on all connections and joints and in time will cause those connections to loosen and fail.
- The safe play area must be free of all structures, landscaping, trees and branches, rocks, wires, and other obstacles to safe play. Children can be seriously injured running or swinging into these obstacles.
- Remove all tripping hazards from the safe play area. Tripping hazards include: roots, stumps, rocks, landscaping, sprinkler heads, railroad ties, plumbing and electrical connections.
- Do not install your gym set over concrete, gravel, asphalt, packed earth or any other hard surface. The following is a list of recommended ground covers from the Consumer Product Safety Commission.

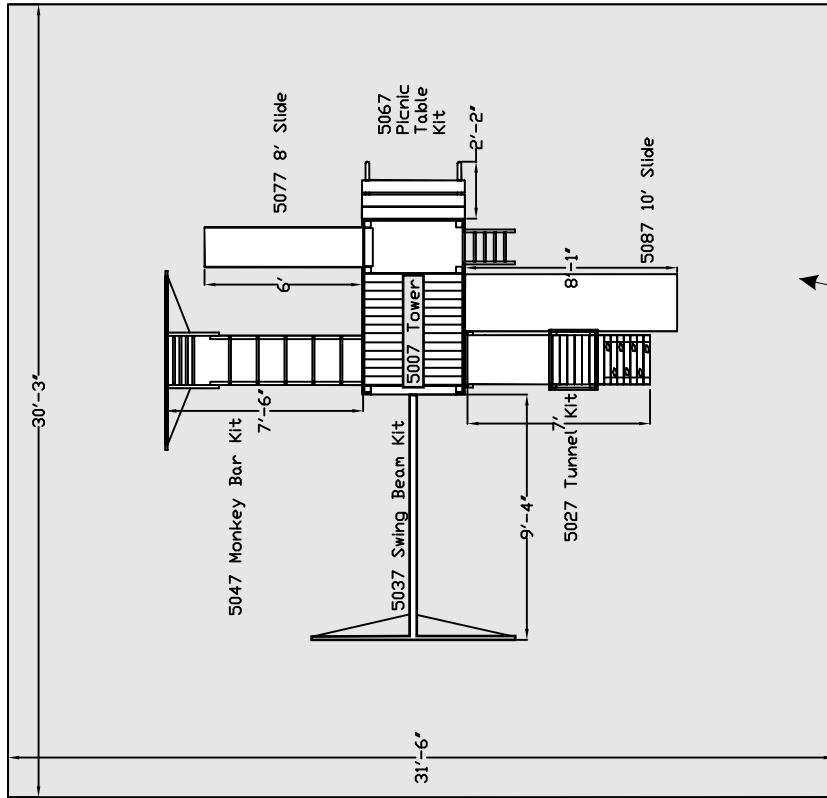
RECOMMENDED GROUND COVERS	
Suggested Material	Uncompressed Depth
Double Shredded Bark Mulch	9"
Uniform Wood Chips	12"
Fine Gravel	12"
Fine Sand	12"

A FALL ON TO A HARD SURFACE COULD RESULT IN SERIOUS INJURY

Any edging used to contain the ground must be beyond the safe play area.

(Ex. Landscape timbers or railroad ties)

Back



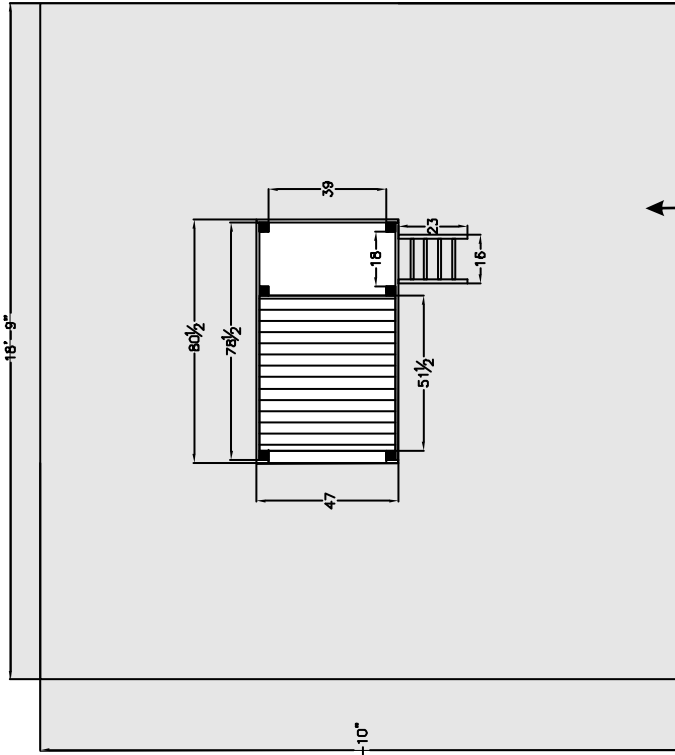
Left

Landscape Timbers
6' from play structure

Sale play area using
recommended ground cover

Front

Right



Landscape Timbers
6' from play structure

Sale play area using
recommended ground cover

