

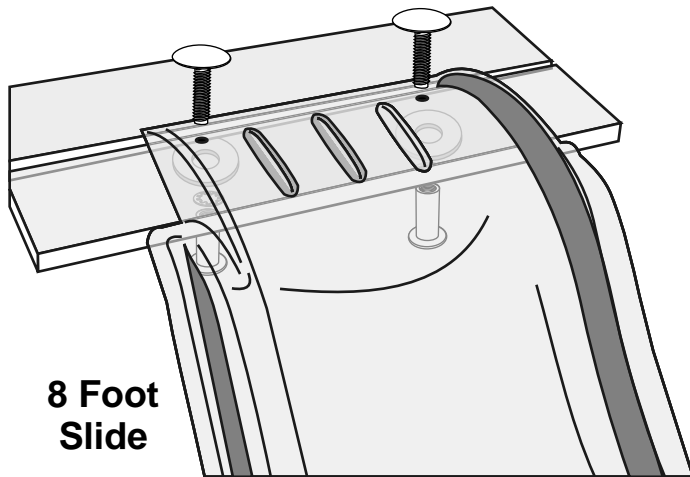
LEISURE TIME PRODUCTS

P.O. Box 459 • Siloam Springs, AR 72761

Part # 5077 • 8 Foot Slide
 Part # 5087 • 10 Foot Slide
 Next Generation
 8 & 10 Foot Slide
ASSEMBLY INSTRUCTIONS

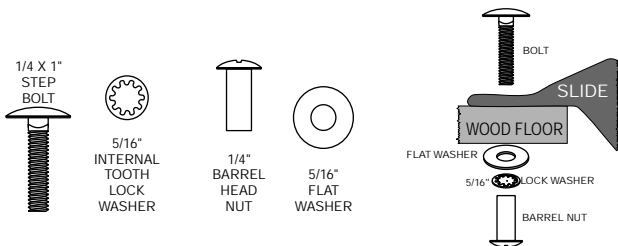
Note hardware for attaching the slide is included in the 5007 tower kit.
 The 8ft. slide will require 2 bolts
 The 10ft. slide will require 3 bolts

AT THIS POINT, MAKE SURE THE SET IS AT ITS PERMANENT LOCATION. MAKE SURE TO STAKE DOWN THE SET WITH GROUND STAKES. ATTACH THE SLIDE TO THE SET USING 1" STEP BOLTS, BARREL NUTS, LOCK WASHERS AND FLAT WASHERS. USE HOLES IN SLIDE AND MARK HOLE LOCATIONS, MOVE SLIDE OUT OF THE WAY AND DRILL THE HOLES WITH 3/8" DRILL BIT. ATTACH AS ILLUSTRATED



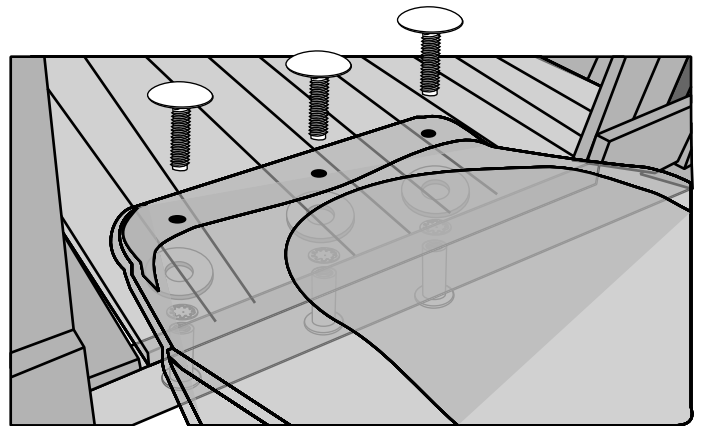
8 Foot Slide

NOTE: SLIDE WILL FIT TIGHTLY AND IT MAY BE NECESSARY TO SQUEEZE IT INTO POSITION.

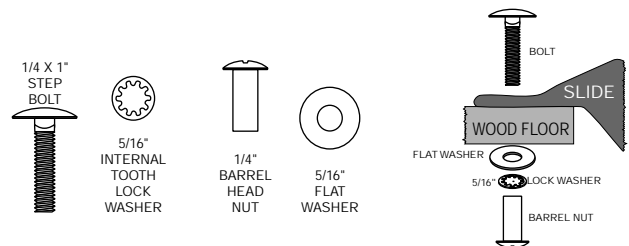


Put the Slide in position as shown on the rear of the playset. Use the holes in the slide to mark hole locations. Move the slide out of the way and drill two 3/8" holes on your marks all the way through the floor of the clubhouse.

Move the slide back into position and insert the 1" Step Bolt from the top into the slide. The 1/4" Barrel Nuts Insert with Flat Washers and Lock Washers into the holes you drilled from the underside of the clubhouse floor. Tighten securely, but don't over tighten.



10 Foot Slide



Put the Slide in position as shown on the rear of the playset. Use the holes in the slide to mark hole locations. Move the slide out of the way and drill three 3/8" holes on your marks all the way through the floor of the clubhouse.

Move the slide back into position and insert the 1" Step Bolt from the top into the slide. The 1/4" Barrel Nuts Insert with Flat Washers and Lock Washers into the holes you drilled from the underside of the clubhouse floor. Tighten securely, but don't over tighten.

© Copyright Playground Inc

LEISURE TIME PRODUCTS If you need assistance with parts or have assembly questions, please call Customer Service at 866-362-1123. Our regular office hours are Monday through Friday, 7:00 a.m. to 4:00 p.m. Central Time