

**Model
#6508**

Woodridge Playhouse



Assembly Requires Two Moderately Skilled People 6 - 8 Hours.

**If you need assistance with parts or have assembly questions, please call Customer Service
at **800-765-4138****

**Please read the entire instruction manual carefully before proceeding with the assembly or use of
your new playhouse. SAVE THIS MANUAL for future reference in the event that you need to contact
us for assistance or replacement part information and ordering.**

YOUR WARRANTY

Leisure Time Products, Inc., provides a 1-year limited warranty. See page 34 of this manual for details. We take great care to design our products with your child's safety in mind. However, only with careful supervision and proper safety instructions, can you be assured of safe play time on any product designed for children.

LEISURE TIME PRODUCTS

For Residential Use Only

STOP

**Missing A Part?
CALL US BEFORE GOING
BACK TO THE STORE!**

The store where you made your purchase
does not stock parts for this item.
if you have assembly questions or if you need parts,
whether they are missing or damaged
Call Toll-Free Help Line 1-800-765-4138

PLEASE READ THIS BEFORE STARTING ASSEMBLY



- IT WILL TAKE TWO SKILLED WORKERS ABOUT 8 HOURS TO COMPLETE THE ASSEMBLY OF THIS PRODUCT.
- READ THE ASSEMBLY MANUAL COMPLETELY, PAYING SPECIAL ATTENTION TO THE IMPORTANT TIPS AND SAFETY INFORMATION.
- AFTER YOU HAVE READ THE ASSEMBLY MANUAL, YOU WILL BE ABLE TO DECIDE IF YOU NEED PROFESSIONAL HELP TO COMPLETE THE ASSEMBLY OF THE PLAYHOUSE
- SEPARATE AND IDENTIFY ALL PARTS TO MAKE SURE THAT YOU HAVE ALL OF THE PARTS LISTED.
- IF YOU CAN'T FIND ALL OF THE PARTS, CHECK THE PACKING MATERIAL. SMALL PARTS MAY HAVE FALLEN INTO IT DURING SHIPMENT.
- IF YOU HAVE PROBLEMS WITH THE ASSEMBLY OR IF ANY PART IS MISSING OR DAMAGED, PLEASE CALL THE HELP LINE 1-800-765-4138

PLEASE HAVE THE FOLLOWING INFORMATION WHEN YOU MAKE YOUR CALL:

- 1-MODEL NUMBER OF THE PRODUCT LOCATED ON THE FRONT OF THE ASSEMBLY MANUAL
- 2-DESCRIPTION OF THE PART FROM THE PARTS LIST

IMPORTANT TIPS FOR ASSEMBLY

Prior to assembling your play product, take a thorough inventory of all components using the parts list enclosed in each box as you open them.

Sort and lay out all wood pieces, matching identical pieces into piles, for quick reference and identification.

Sort all hardware according to size. Refer to parts identification section. Selecting the wrong hardware during early assembly will lead to shortages. Finding extra hardware is not cause for alarm. We often include extra hardware in case parts are lost during assembly.

Selecting the correct location for your playset product is very important for your children's safety and for the play product's longevity. Your playset must be installed on **level ground**. Installation on sloping ground will cause your set to "lean" and, in time, this leaning will put stress on all the joints. This stress will cause the set to become loose and unstable. Once this occurs, it becomes difficult to correct, and Leisure Time Products, Inc. cannot assume responsibility for any failure from incorrect installation. Uneven ground must be properly leveled before installation.

Warping: Occasionally, some wooden components may twist or warp in the carton after packaging. This is not necessarily a cause for alarm. In most instances, these parts straighten out when assembled. Seasonal checking or cracking of the grain on wooden parts is also quite natural. Water and heat are the two most frequent causes of expansion and contraction of wood fibers.

We recommend that you apply a wood sealant or protectant at the time of

installation and at least once per year. There are many excellent products, such as Thompson's Waterseal, Behr Wood Conditioner, Olympic Water Guard or Olympic Wood Protector. Please check with your local home improvement center to see what they recommend for your area conditions. Proper care and maintenance will help maintain the beauty of the set as well as gain the maximum life of the unit.

Metal plates: The structural integrity of the play product is dependent upon the proper installation of the metal plates. As noted and diagramed in these assembly instructions, the installation of these metal plates must also be followed precisely.

On site adult supervision is required at all times for children of all ages.

Ensure that suspended climbing ropes, chains or cables are kept tight enough so they cannot be looped back on themselves and are kept secure at both ends.



SEE PAGES 32 THRU 33 FOR MAINTENANCE TIPS

SAFETY AND ASSEMBLY INFORMATION

**FOR SAFETY'S SAKE,
PLEASE TAKE TIME TO READ ALL INSTRUCTIONS COMPLETELY
AND CAUTION YOUR CHILDREN ACCORDINGLY**

Caution for Your Children. Observing the following statements and warnings reduces the likelihood of serious or fatal injury.

- Instruct children not to attach items to the playhouse that are not specifically designed for or made to use on the equipment (such as jump ropes, clotheslines, pet leashes, cables, or chains) as this could pose a strangulation hazard.
- Children should use equipment only in its intended manner.
- Children should NOT wear loose or stringed clothing or jewelry which can cause a potential danger of strangulation while using playground equipment.
- Children should NOT play on equipment in wet weather conditions due to potentially slippery surfaces.

WARNING

Small components of your play center represent a choking hazard to children. Do not allow access to nuts, bolts, washers or other small parts. Tighten and inspect your play center frequently to avoid this danger. Children must not use equipment until properly installed. Before using your play center, carefully read to any and all children who may use the play center the "safety rules" included in this booklet. Play center modification is forbidden. Any modifications to your play center will affect its structural integrity and render the warranty null and void.

Caution! This play product will not be ready for a child's play until assembly procedures are complete, all hardware is tightened, and you the responsible adult, are satisfied that the unit is secure and safe. At this time and always, review the "safety and general information - cautions for use" sections with each child using the play product.

Tools and Materials Required:

Claw Type Hammer

Framing Square or Level

Screwdriver (#2 Phillips)

Wrench, Sockets or Nut Drivers(1/2")

Drill Bits: 1/8", 3/16"

10 ft. Tape Measure

10 ft. Step Ladder

Electric or Cordless Drill

Beeswax or Soap

(Used to lubricate screw threads)

**HAVING THE PROPER TOOLS ON HAND WILL EASE AND
REDUCE THE ASSEMBLY TIME OF YOUR NEW PLAYHOUSE.**

Assembly Safety:

- Keep the work area clean and clear of obstructions.
- Children should stay out of the work area until the safe play area is cleared of obstacles, the playhouse has been completely assembled, all hardware has been tightened and checked and all tools have been picked up.
- Keep children off the playhouse until it has been completely assembled.
- Some parts of the assembly process may require help from another competent adult.
- Follow the manufacturers' safety recommendations for the tools and equipment you use.
- **Avoid assembling your playhouse in poor weather conditions.**
- **Wear proper clothing and safety equipment (safety glasses, boots and gloves) while assembling your playhouse.**

**ALTHOUGH LEISURE TIME PRODUCTS, INC. READY-TO-ASSEMBLE PLAYHOUSE IS STAINED
AT OUR FACTORY. A WATER PROTECTANT IS REQUIRED AT THE TIME OF INSTALLATION.**

**THE WOODEN PARTS FOR YOUR PLAYHOUSE ARE MADE FROM
CYPRESS AND OTHER UNTREATED NATURALLY DECAY RESISTANT LUMBER.**

SAFETY AND ASSEMBLY INFORMATION

SELECTING THE CORRECT LOCATION FOR YOUR PLAY PRODUCT IS IMPORTANT FOR YOUR CHILDREN'S SAFETY AND THE PRODUCT'S LONGEVITY

Dimensions:

- The Woodridge Playhouse has One layout option.

Layout	Ground Dimension	Safe Play Area*
	66"x49"x70" Tall	17'- 6" x 16'-1"

*Level Ground Surface - See below

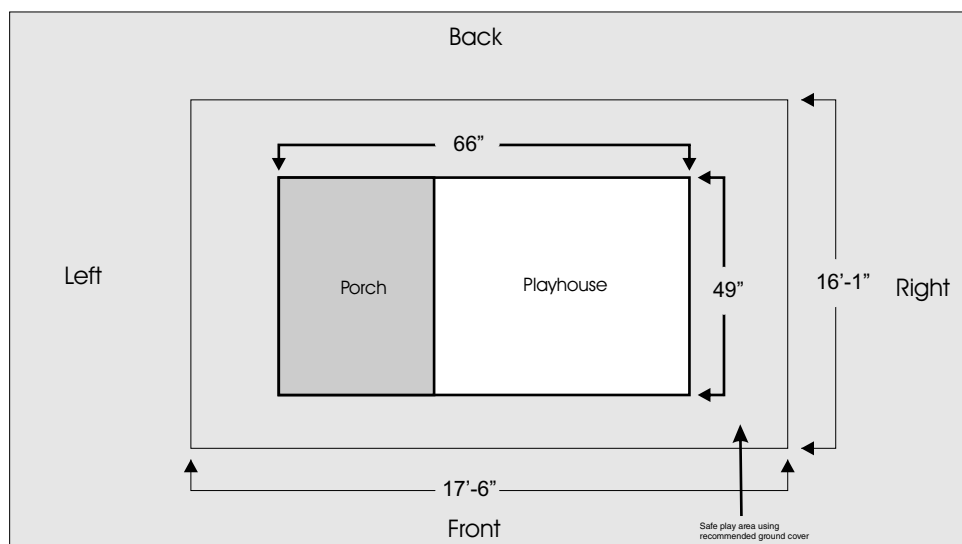
General Information:

Your set has been designed and engineered for children only and for residential use only.
A maximum of 150 lbs. per child is recommended for play activities designed for individual use.
A maximum of 120 lbs. per child is recommended for play activities designed for multiple child use.
A maximum of 6 children is recommended for this unit.

Safe Play Area:

- The safe play area refers to a zone extending 6' beyond the playhouse on all sides, including the space above the playhouse.
- The ground surface **must be level**. Installing your playhouse on sloping ground can cause it to lean or "rack". This leaning puts additional stress on all connections and joints and in time will cause those connections to loosen and fail.
- The safe play area must be free of all structures, landscaping, trees and branches, rocks, wires, and other obstacles to safe play. Children can be seriously injured running or swinging into these obstacles.
- Remove all tripping hazards from the safe play area. Tripping hazards include: roots, stumps, rocks, landscaping, sprinkler heads, railroad ties, plumbing and electrical connections.
- Playhouse needs to be installed on solid ground

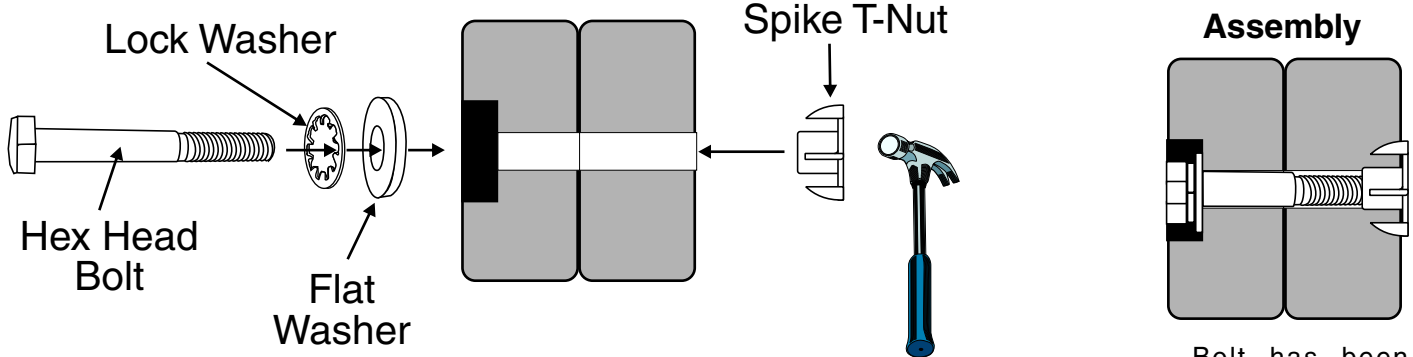
SAFE PLAY AREA DIAGRAM



USING THE HARDWARE

LEISURE TIME PRODUCTS, INC. PLAYHOUSE USE A FEW STANDARD CONNECTIONS. BECOMING FAMILIAR WITH THESE CONNECTIONS WILL SIMPLIFY ASSEMBLY AND INSURE A SAFER PLAY PRODUCT FOR YOUR CHILDREN.

How to use Hex Head Bolts and Spike T-Nuts



Check the positioning of parts in each Step's illustration, noting which of the parts should receive the Spike T-Nut. Place the Spike T-Nut in the hole and then seat it with one or two taps of a hammer. Align the holes in the parts to be fastened. Start preliminary tightening of bolt into seated nut by hand.

To **securely tighten**, turn the bolt with a wrench until the lock washer is fully compressed between the head of the bolt and the flat washer.

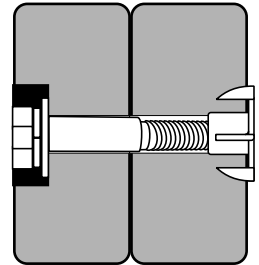
Note that in some steps the instructions say to tighten "**just snug**." This means to tighten the bolt just enough to keep the parts together, but loose enough to allow the parts to move. This is necessary to allow squaring and leveling. The bolt will be tightened securely in a following step.

TIP: Tap the Spike T-Nut into the part before you position the part on the structure. If you put it in the wrong hole, remove it by inserting a bolt from the opposite side of the board and tapping the bolt lightly with a hammer.

TIP: Clean debris from holes if needed with drill bit or hardware.

TIP: Keeping pressure on head of bolt will help with assembly.

Correct Assembly



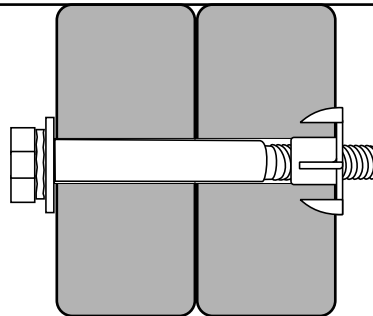
Bolt has been screwed securely into Spike T-Nut and the connection is tight.

Check connections periodically for tightness during the life of the playhouse.

Do not over tighten.

Incorrect Assembly

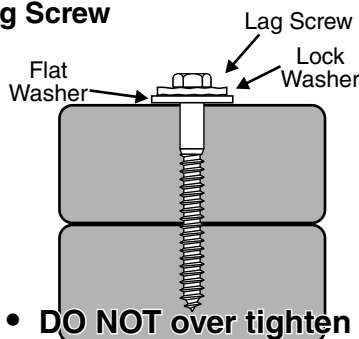
During assembly or maintenance, do not over tighten the bolts. Over tightening can cause the bolt to protrude past the spiked tee nut, which could cause personal injury. Over tightening can also cause the wood to be compressed or to "sink in" the bolt, washer or spiked tee nut. If this has happened, you may need to add additional washers or replace the bolt with a shorter one, so that the bolt does not protrude.



Failure to replace this bolt with a shorter one could result in personal injury.

Typical Installation -Lag Screw

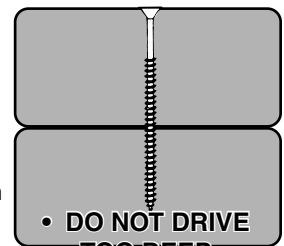
- Always drill pilot holes when using Lag Screws. The size of the pilot hole will be specified in the Step.
- Tap the head of the Lag Screw with a hammer to start the threads into the wood and then use a 1/2" socket to tighten.



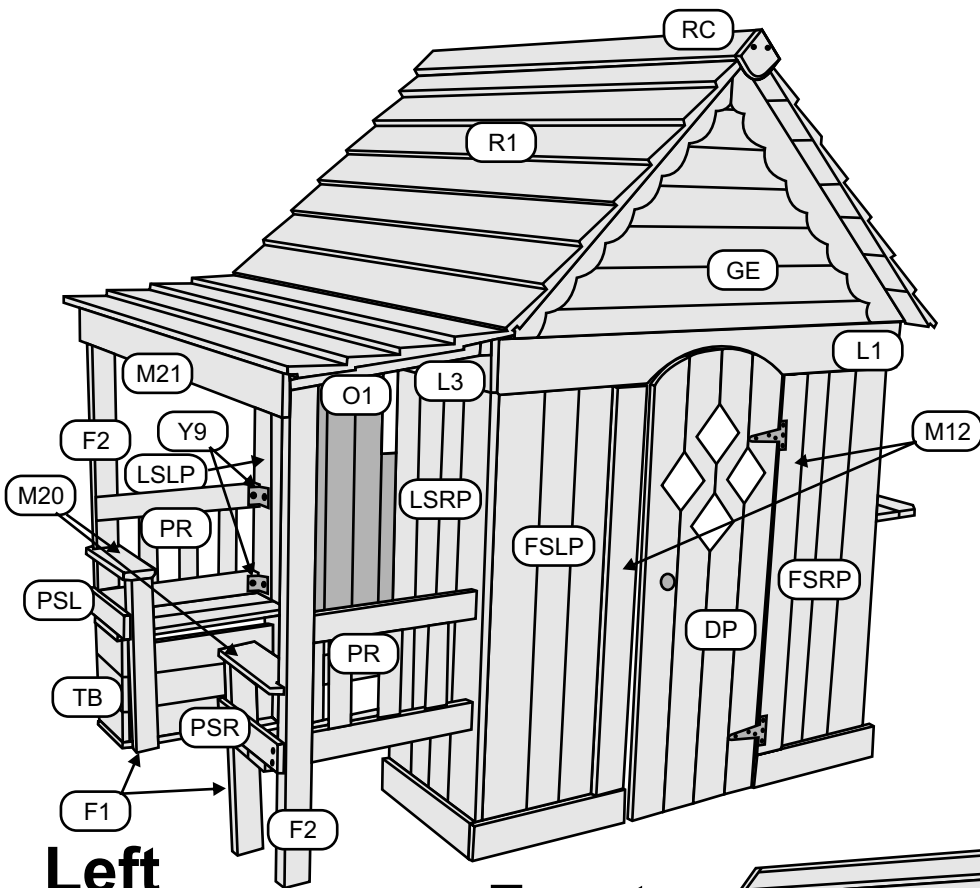
• **DO NOT over tighten**

Typical Installation -Wood Screw:

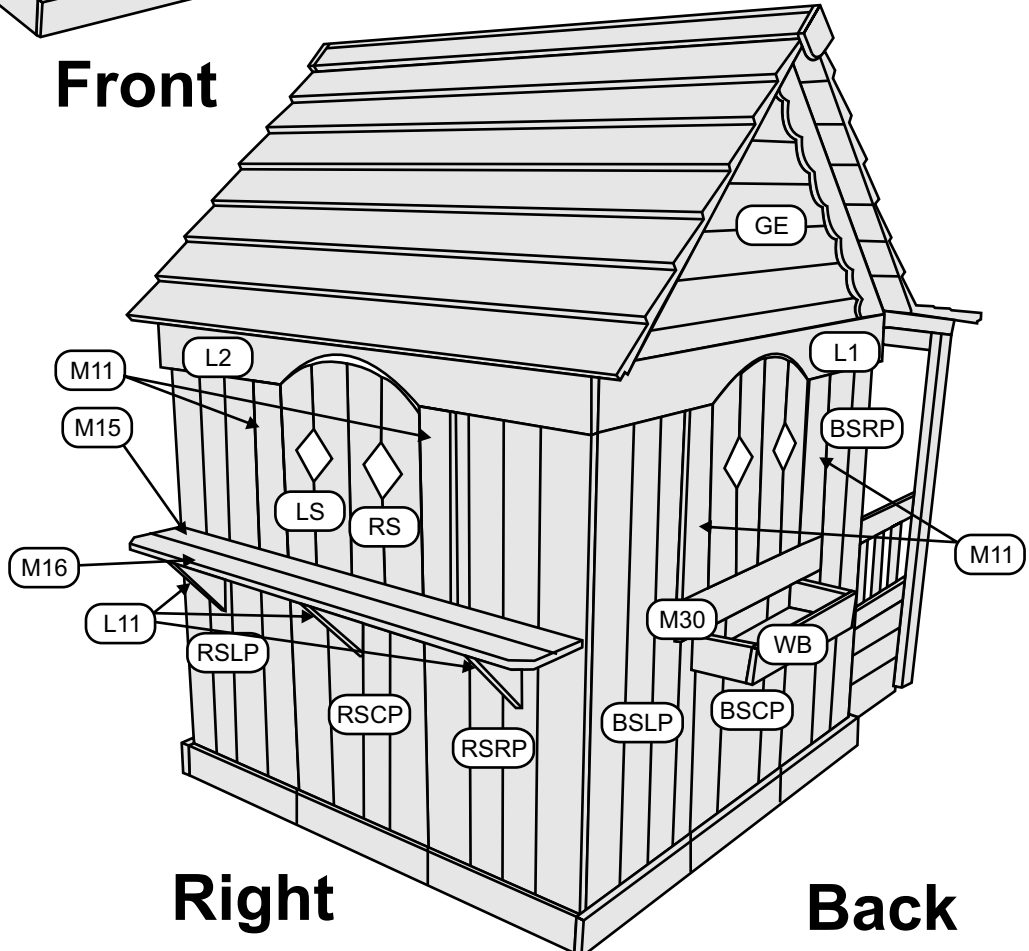
- Use an electric drill or screw gun to drive screws.
- These screws are self-tapping, so no pilot holes are required.
- Lubricate the threads of the screws with beeswax or soap to ease installation and minimize breaking screws.
- It is very important to make certain that the tops of all screws are flush with the surface of the wood and there are no protruding sharp edges.



• **DO NOT DRIVE TOO-DEEP AND CAUSE SPLINTERING**



Parts Not Shown	
F3	IS
F4	S2
F5	U1
P1	Y33



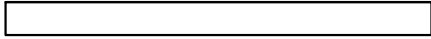
Left

Front

Right

Back

F1 * Bench Support * No Holes * 2 Req
1.375 x 2.375 x 17.75 [3.49 x 6.03 x 45.09]



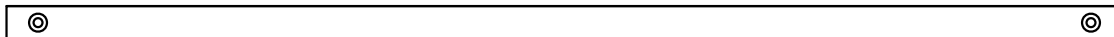
F2 * Porch Roof Support * No Holes * 2 Req
1.375 x 2.375 x 41.875 [3.49 x 6.03 x 106.36]



F3 * Frame Board * No Holes * 2 Req
1.375 x 2.375 x 13.25 [3.49 x 6.03 x 33.66]



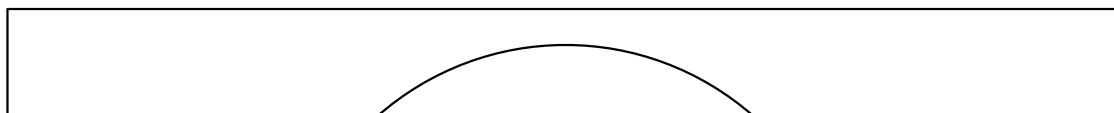
F4 * Frame Board * 2 Holes * 2 Req
1.375 x 2.375 x 46.5 [3.49 x 6.03 x 118.11]



F5 * Frame Board * No Holes * 1 Req
1.375 x 2.375 x 42.5 [3.49 x 6.03 x 107.95]



L1 * Sculptured Rail * No Holes * 2 Req
.6875 x 4.5 x 46.5 [1.75 x 11.43 x 118.11]



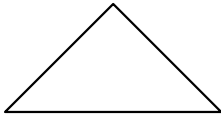
L2 * Right Sculptured Rail * No Holes * 1 Req
.6875 x 4.5 x 48.5 [1.75 x 11.43 x 123.19]



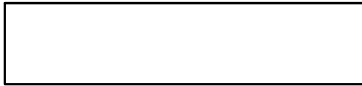
L3 * Left Sculptured Rail * 4 Holes * 1 Req
.6875 x 4.5 x 48.5 [1.75 x 11.43 x 123.19]



L11 * Shelf Support * No Holes * 3 Req
.6875 x 4.5 x 9 [1.75 x 11.43 x 22.86]



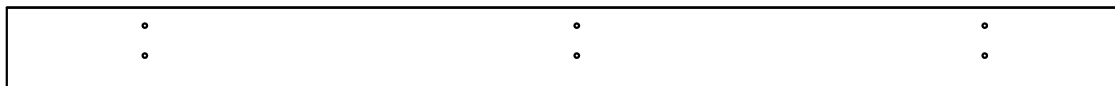
M11 * Window Trim * 0 Holes * 4 Req
.6875 x 3.375 x 15 [1.75 x 8.57 x 38.10]



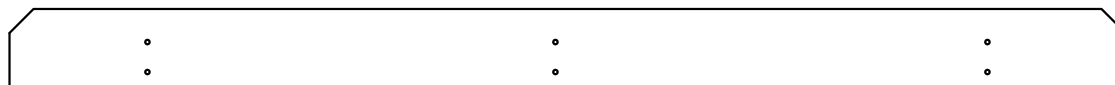
M12 * Door Trim * 0 Holes * 2 Req
.6875 x 3.375 x 37 [1.75 x 8.57 x 93.98]



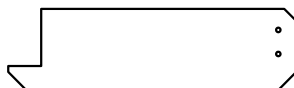
M15 * Outside Shelf Board * 6 Holes * 1 Req
.6875 x 3.375 x 46.5 [1.75 x 8.57 x 118.11]



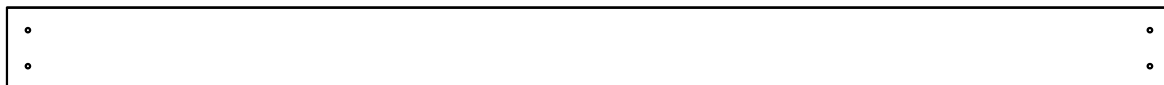
M16 * Outside Shelf Board * 6 Holes * 1 Req
.6875 x 3.375 x 46.5 [1.75 x 8.57 x 118.11]



M20 * Arm Rest * 3 Holes * 2 Req
.6875 x 3.375 x 12 [1.75 x 8.57 x 30.48]



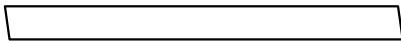
M21 * Porch Rail * 4 Holes * 1 Req
.6875 x 3.375 x 48.5 [1.75 x 8.57 x 123.19]



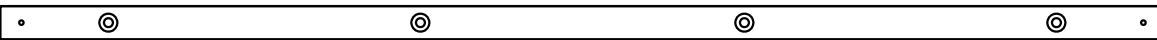
M30 * Window Trim * 0 Holes * 1 Req
.6875 x 3.375 x 22.75 [1.75 x 8.57 x 57.79]



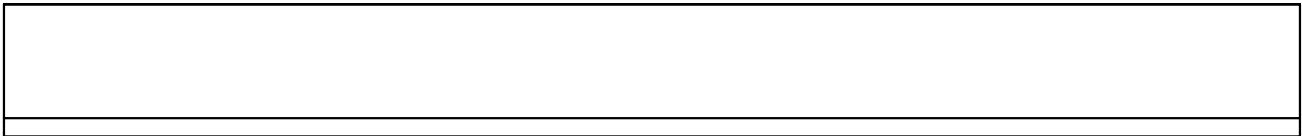
O1 * Porch Rafter * 0 Holes * 2 Req
1.375 x 1.375 x 16.5625 [3.49 x 3.49 x 42.07]



P1 * Porch Support * 6 Holes * 1 Req
1 x 1.375 x 48.5 [2.54 x 3.49 x 123.19]



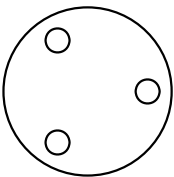
R1 * Roof Slat * 0 Holes * 18 Req
1 x 5.5 x 54 [2.54 x 13.97 x 137.16]



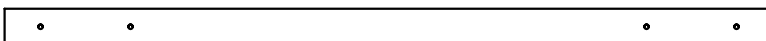
S2 * Shutter Stop * 2 Holes * 3 Req
.375 x 2 x 2 [.95 x 5.08 x 5.08]



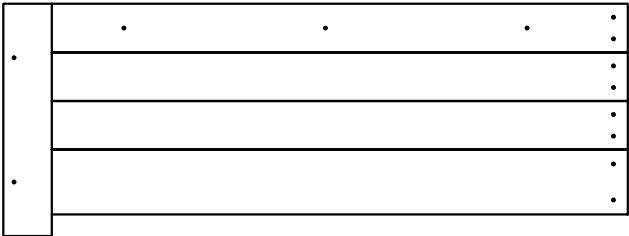
U1 * Stool Seat * 3 Holes * 2 Req
1.5 x 7 x 7 [3.81 x 17.78 x 17.78]



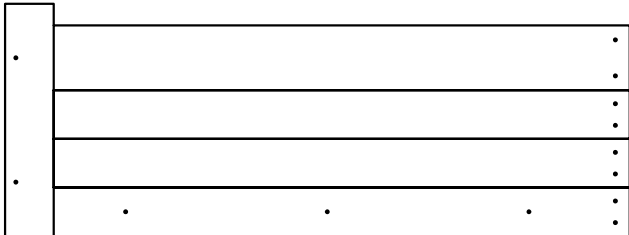
Y33 * Metal Strap * 4 Holes * 1 Req
1.5 x .125 x 32 [3.81 x .3175 x 81.28]



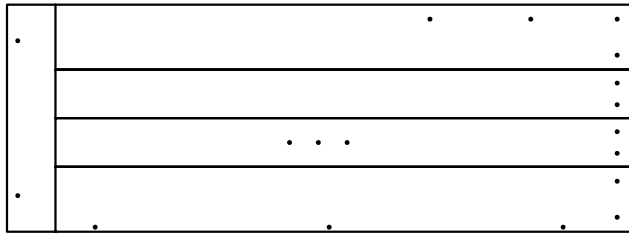
FSRP * Front Side - Right Panel Assembly * 1 Req



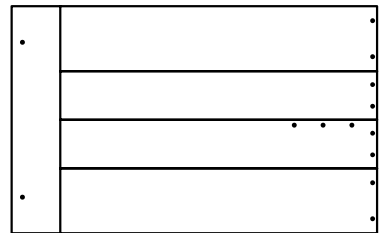
FSLP * Front Side - Left Panel Assembly * 1 Req



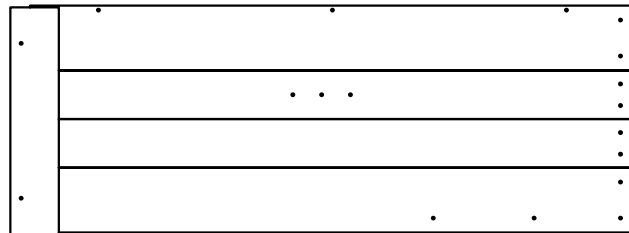
RSRP * Right Side - Right Panel Assembly * 1 Req



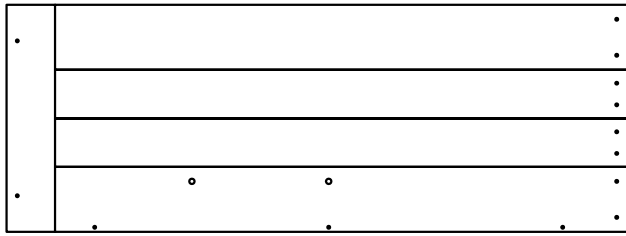
RSCP * Right Side - Center Panel Assembly * 1 Req



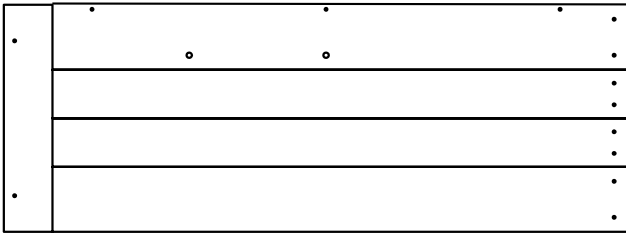
RSLP * Right Side - Left Panel Assembly * 1 Req



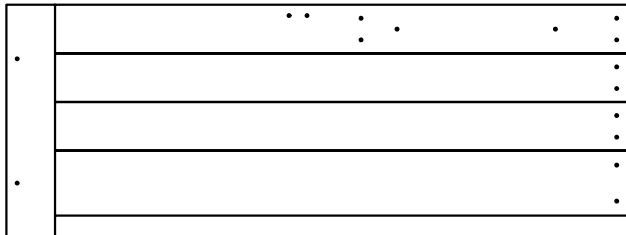
LSRP * Left Side - Right Panel Assembly * 1 Req



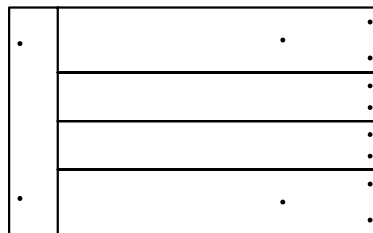
LSLP * Left Side - Left Panel Assembly * 1 Req



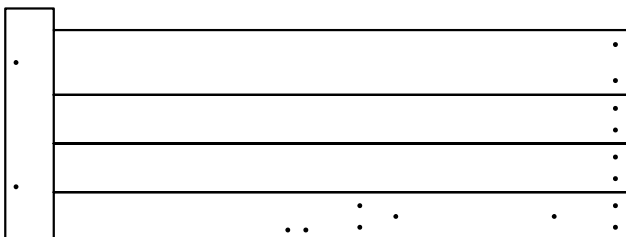
BSRP * Back Side - Right Panel Assembly * 1 Req



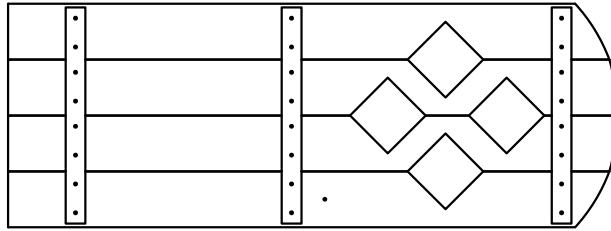
BSCP * Back Side - Center Panel Assembly * 1 Req



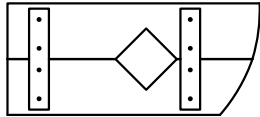
BSLP * Back Side - Left Panel Assembly * 1 Req



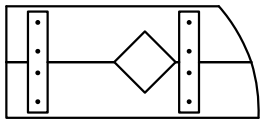
DP * Door Panel Assembly * 1 Req



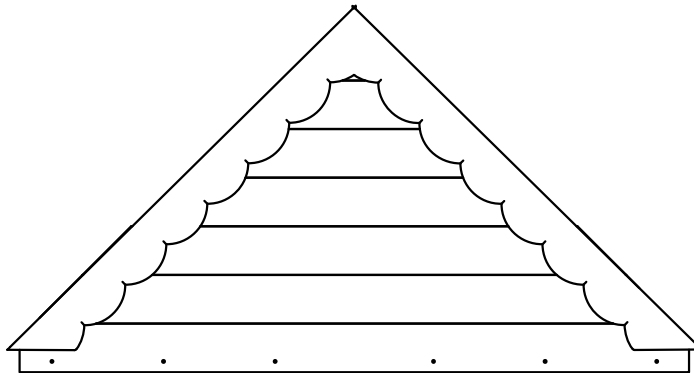
LS * Left Shutter Panel Assembly * 2 Req



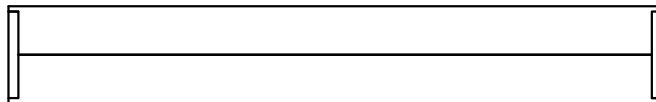
RS * Right Shutter Panel Assembly * 2 Req



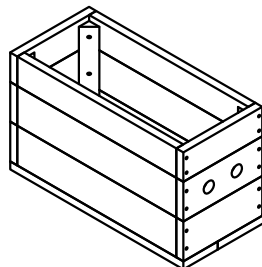
GE * Gable End Panel Assembly * 2 Req



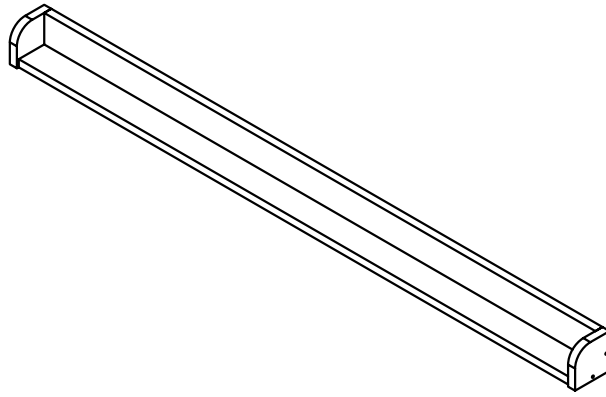
IS * Inside Shelf Assembly * 1 Req



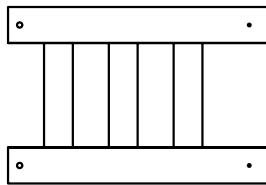
TB * Toy Box Assembly * 1 Req



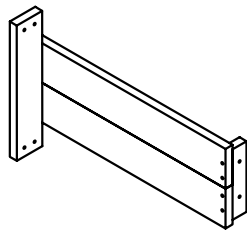
RC * Ridge Cap Assembly * 1 Req



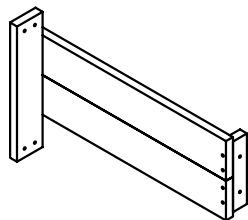
PR * Porch Rail Assembly * 2 Req



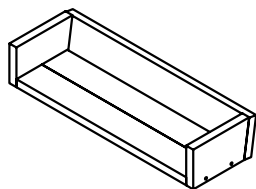
PSL * Porch Seat - Left Side Assembly * 1 Req

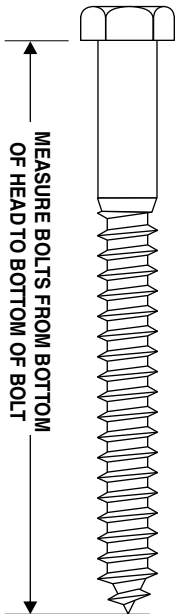


PSR * Porch Seat - Right Side Assembly * 1 Req



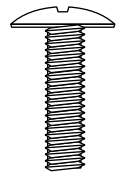
WB * Window Box Assembly * 1 Req



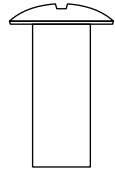


MEASURE BOLTS FROM BOTTOM OF HEAD TO BOTTOM OF BOLT

Z5-3LS
5/16 X 3"
LAG
SCREW



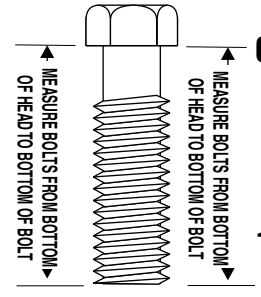
Z4-.75PTH
1/4 X 3/4"
PHILLIPS
TRUSS
HEAD
BOLT



Z4-.75PBN
1/4"
BARREL
HEAD
NUT

DRAWINGS ARE TO SCALE BUT SMALL VARIATIONS ARE NORMAL.

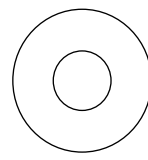
Z5-3.5HB		
16 ths	Size	Type



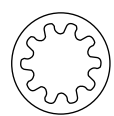
MEASURE BOLTS FROM BOTTOM OF HEAD TO BOTTOM OF BOLT

MEASURE BOLTS FROM BOTTOM OF HEAD TO BOTTOM OF BOLT

Z5-1.25HB
5/16 X 1-1/4"
HEX
HEAD
BOLT



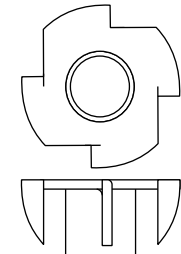
Z5-.75FW
5/16" FLAT
WASHER



Z5-.625ITLW
5/16"
INTERNAL
TOOTH
LOCK
WASHER

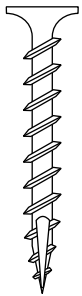
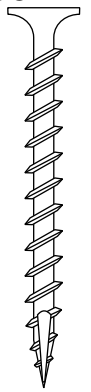


Z4-.625ITLW
1/4"
INTERNAL
TOOTH
LOCK
WASHER

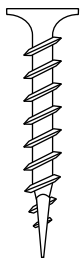


Z5-.625STN
5/16"
SPIKE TEE
NUT

Z8-2WS
#8 X 2"
WOOD
SCREW

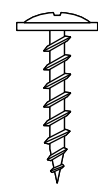


Z8-1.5WS
#8 X 1-1/2"
WOOD
SCREW



Z8-1.25WS
#8 X 1-1/4"
WOOD
SCREW

Z8-.75WS
#8 X 3/4"
WASHER
HEAD
SCREW



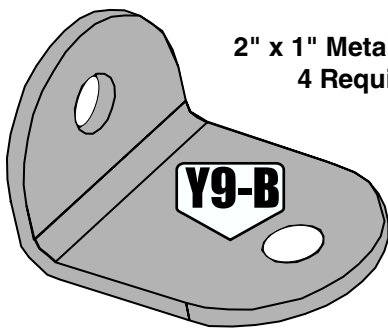
DRAWINGS ARE TO SCALE BUT SMALL VARIATIONS ARE NORMAL.

This hardware package was designed to work with many of our playsets so you will find extras of some of the parts. We suggest that you count out the proper numbers according to the list on Page 18 and take special care to note the sizes given in each step. See page 5 for proper installation instructions.

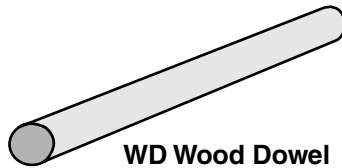
HD6508 Hardware Bag

PART.....	DESCRIPTION.....	QTY.
Z5-1.25HB	5/16-18 x 1-1/4" Hex Head Bolt.....	5
Z5-3LS	5/16 x 3" Lag Screw.....	5
Z5-.625STN.	5/16-18 x 5/8" LONG Spiked Tee Nut.....	5
Z5-.75FW	5/16 SAE Flat Washer - 11/16"OD x 11/32" ID.....	20
Z5-.625ITLW	5/16 Internal Tooth Lock Washer - 19/32" OD.....	10
Z4-.75PTH	1/4-20 x 3/4" Phillips Truss Head Bolt.....	9
Z4-.75PBN	1/4-20 x 3/4" LONG Phillips Barrel Nut.....	9
Z4-.625ITLW	1/4 Internal Tooth Lock Washer - 15/32" OD.....	10
Z8-2WS	#8 x 2" Type 17 w/nibs Wood Screw.....	53
Z8-1.5WS	#8 x 1 1/2" Type 17 w/nibs Wood Screw.....	65
Z8-1.25WS	#8 x 1 1/4" Type 17 w/nibs Wood Screw.....	162
Z8-.75WHS	#8 x 3/4" Modified Truss Washer Head Screw.....	10

NOTE: QUANTITIES INCLUDE EXTRA HARDWARE



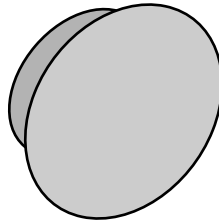
2" x 1" Metal Bracket
4 Required



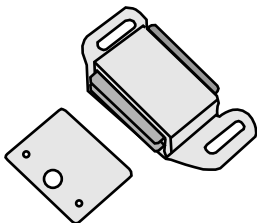
WD Wood Dowel
1" x 14-1/4" Long 6 Required



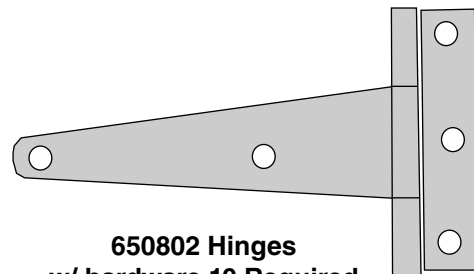
Aluminum
ID Plate 1 Required



650801 Wooden Door Knob
w/ hardware 1 Required



650804 Magnetic Catch
w/ hardware 1 Required



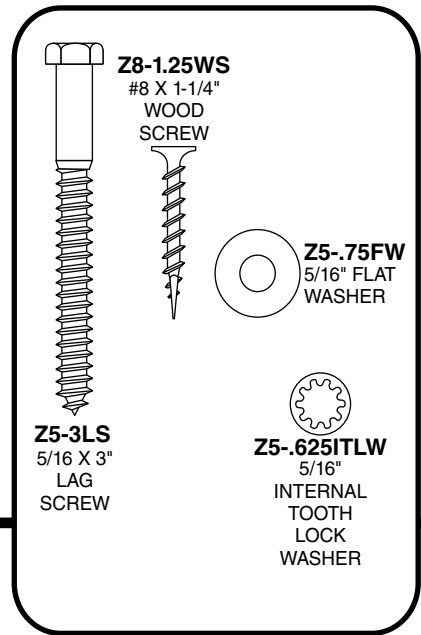
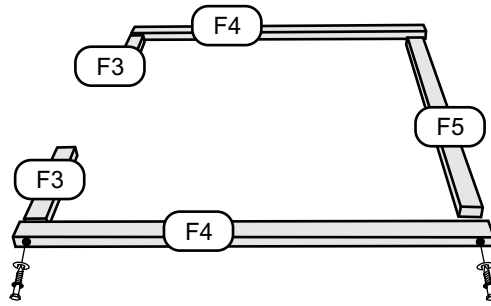
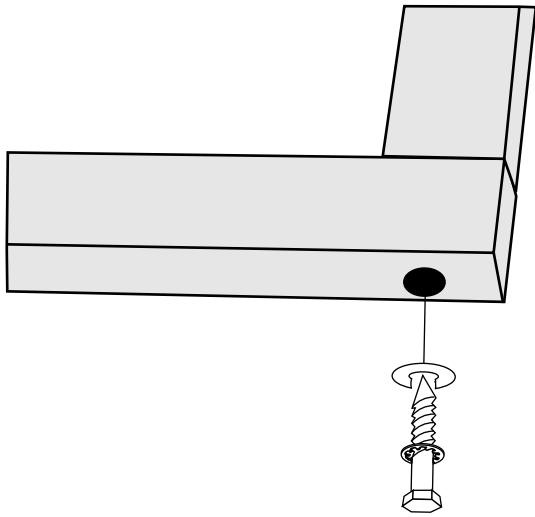
650802 Hinges
w/ hardware 10 Required

ADDITIONAL ITEMS

1 - 6508INST Instruction Booklet	1 - HD6508 Hardware Kit
-------------------------------------	----------------------------

Step 1

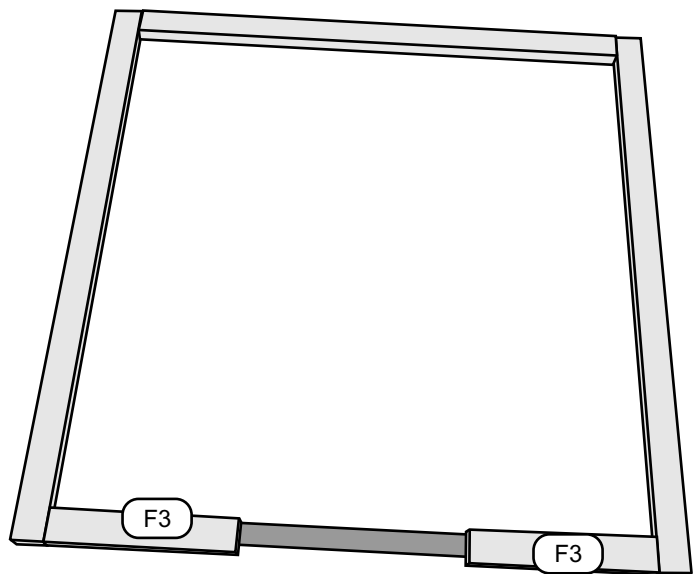
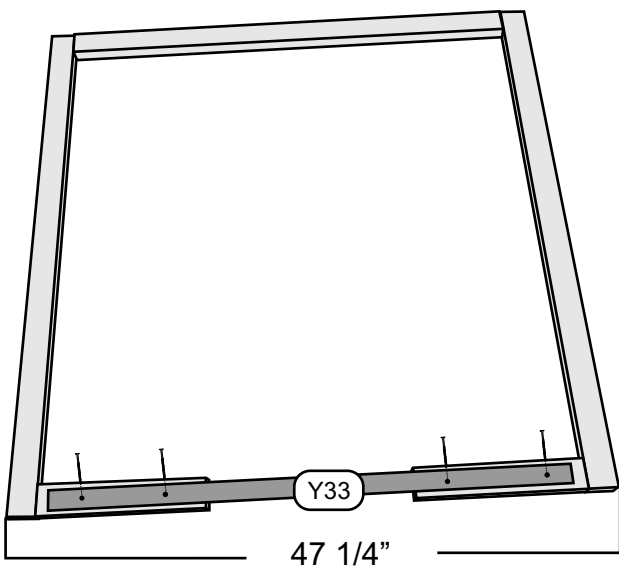
Attach **F4's** to **F3's** with 3" lag screw, lock washer and flat washer. Then attach **F4** & **F3** assemblies to **F5** with 3" lag screw, lock washer and flat washer.



Step 2

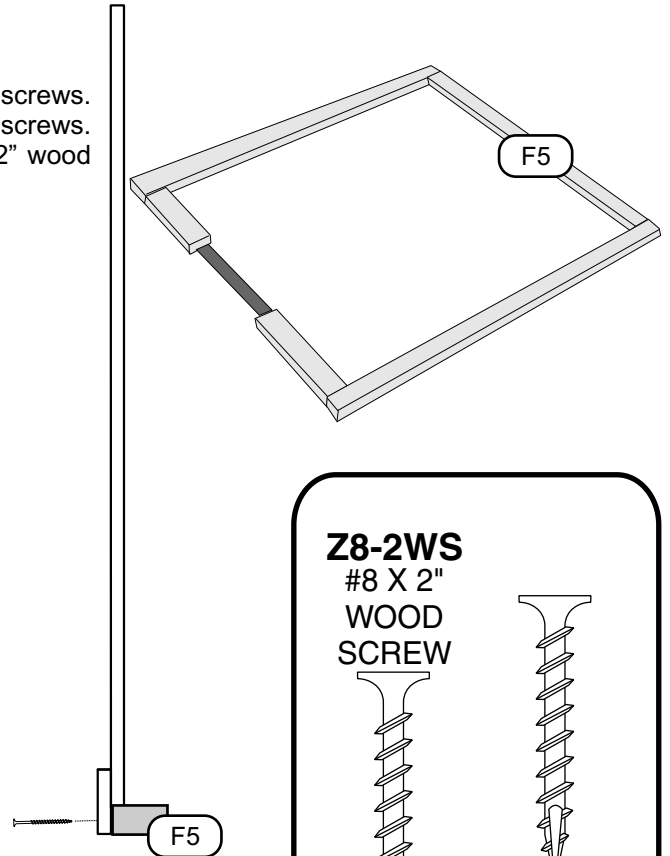
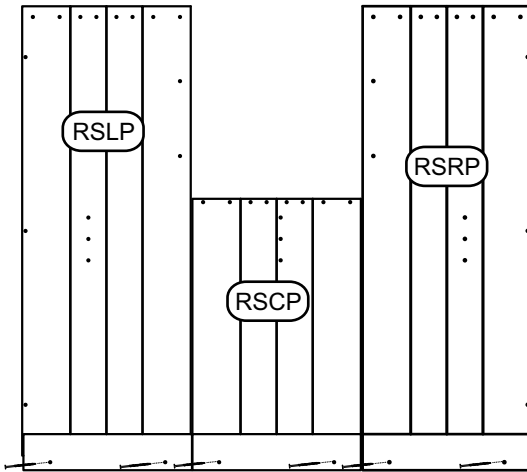
Measure and position outside edges of the **F4** so that they are 47-1/4" apart. Attach **Y33 Metal Strap** to **F3's** with 1 1/4" wood screw.

Flip assembly over so the **Y33 Metal Strap** is on the ground.



Step 3

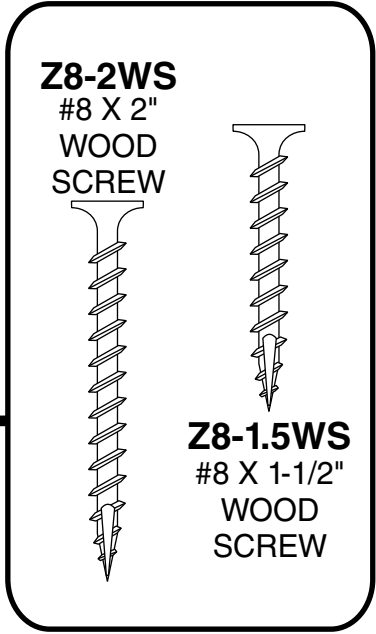
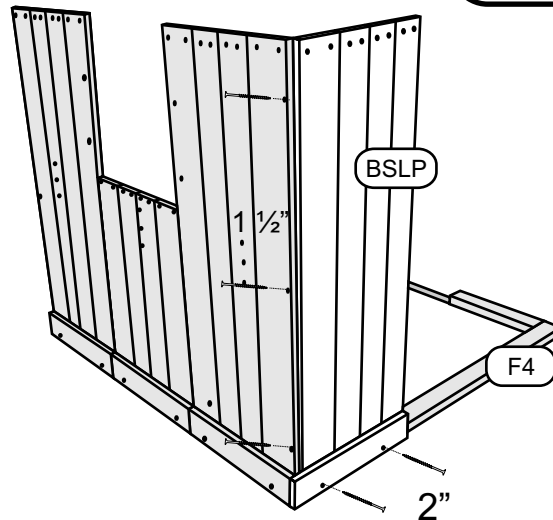
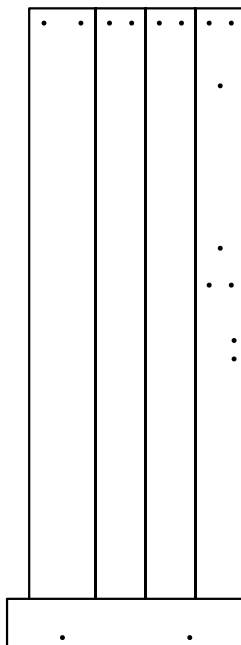
Attach **Right Side Left Panel** to F5, flush to corner with 2" wood screws. Attach **Right Side Center Panel** against Left Panel with 2" wood screws. Then attach **Right Side Right Panel** against Center panel with 2" wood screws.



Note Hole locations on each panel.

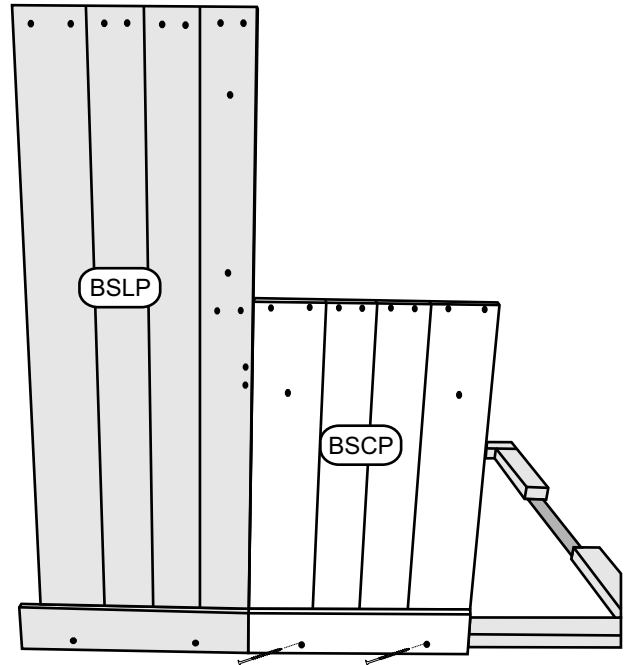
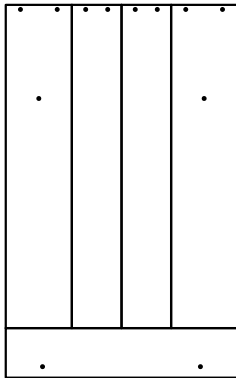
Step 4

Attach **Back Side Left Panel** to F4, flush with Right Side Right Panel using 2" wood screws. Now use 1 1/2" wood screws to attach Right Side Panel to Back Left Panel.



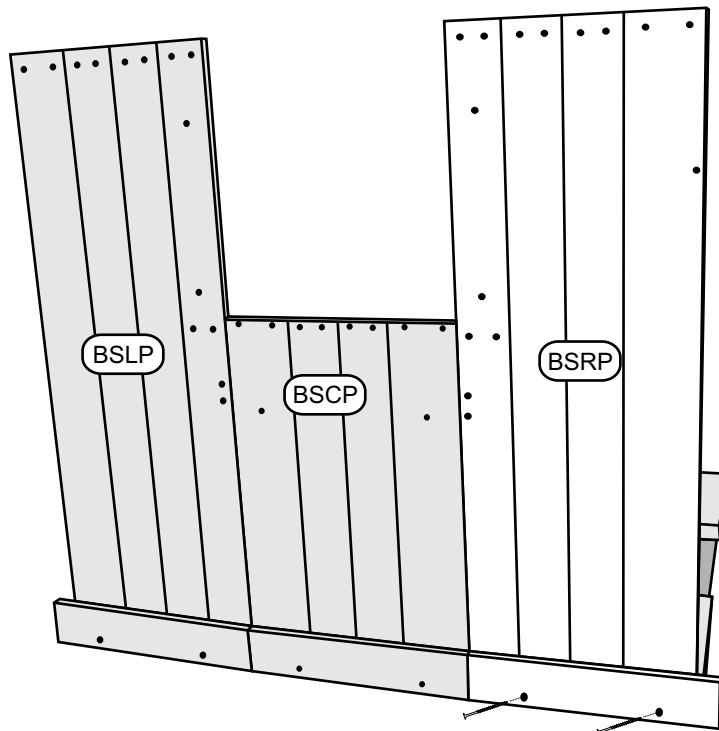
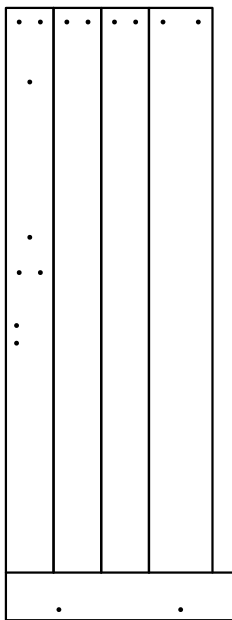
Step 5

Attach **Back Side Center Panel** to F4 using 2" wood screws.

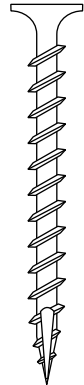


Step 6

Attach **Back Side Right Panel** to F4 using 2" wood screws.

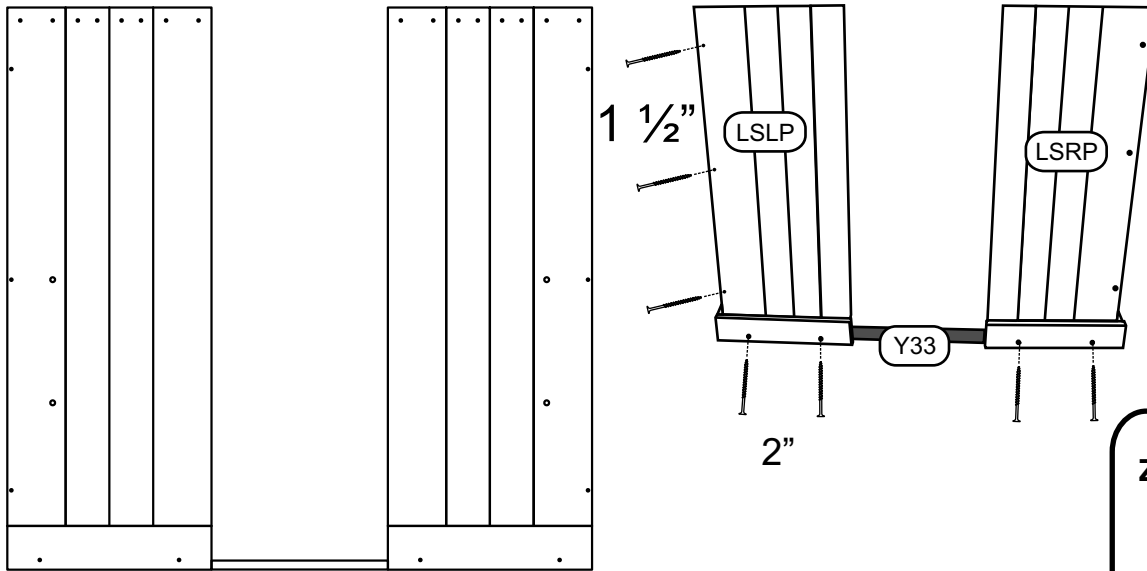


Z8-2WS
#8 X 2"
WOOD
SCREW



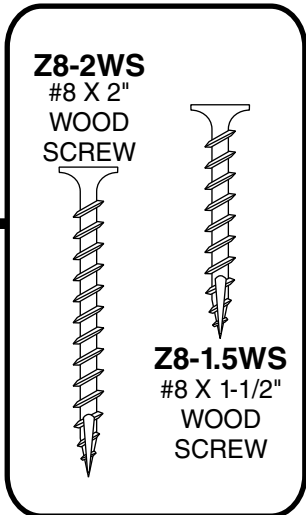
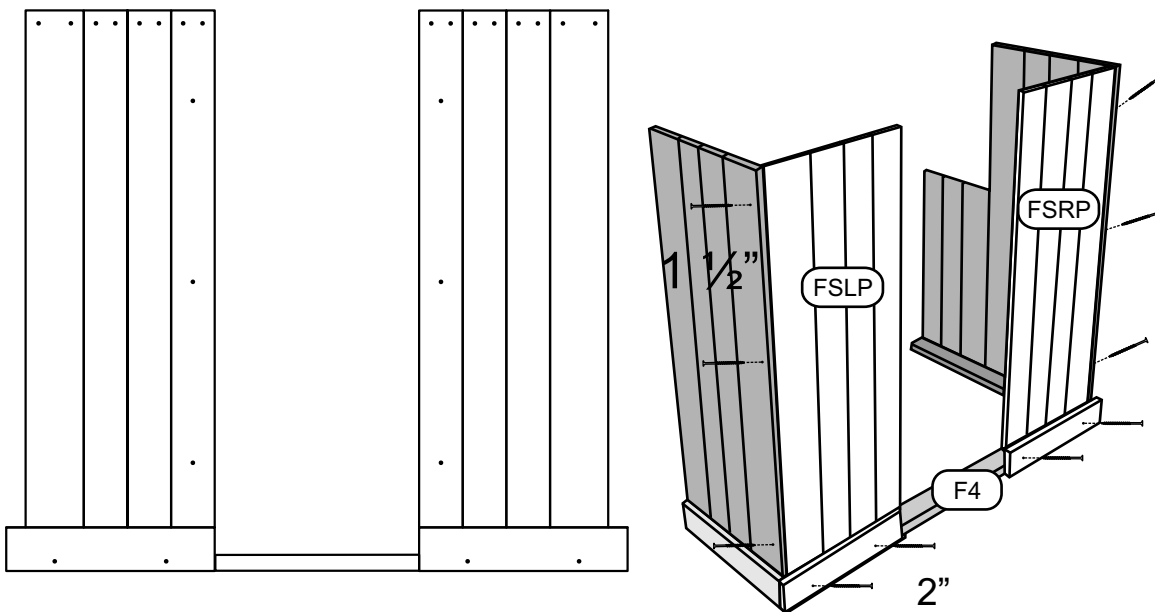
Step 7

Attach **Left Side Left Panel** and **Left Side Right Panel** to F3's using 2" wood screws. Using 1 1/2" wood screws, attach Left Side Left Panel to Right Side Back Panel.



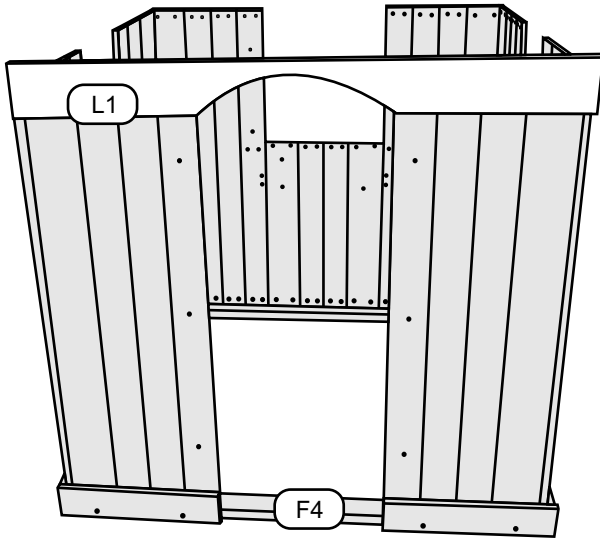
Step 8

Attach **Front Side Left Panel** and **Front Side Right Panel** to F4 using 2" wood screws. Then using 1 1/2" wood screws, attach Left Side Right Panel and Right Side Left Panel to Front Left and Front Right Panels.

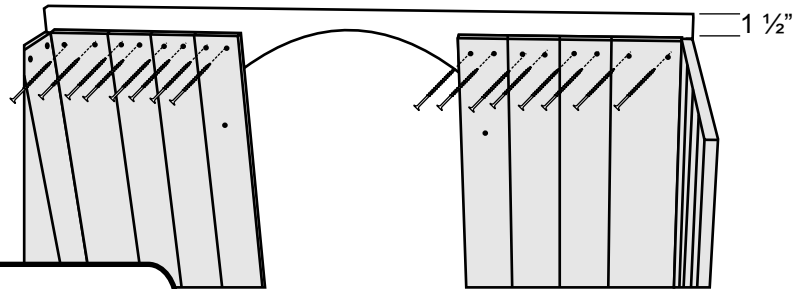
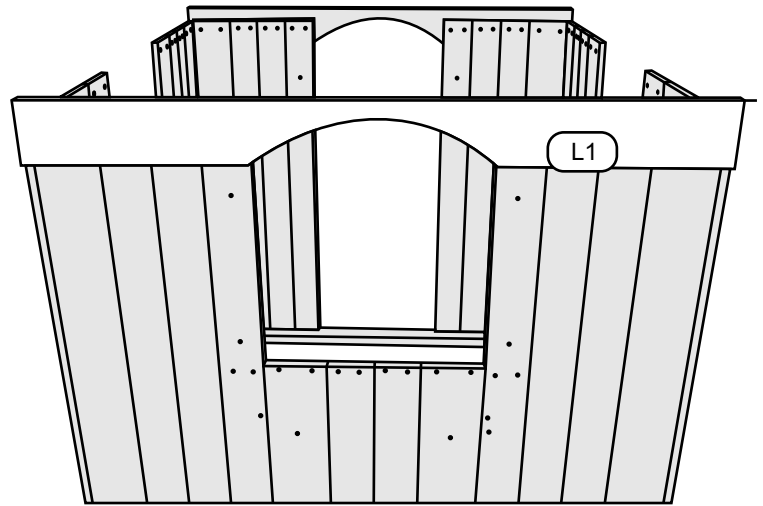


Step 9

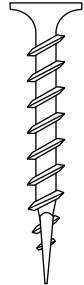
Attach **L1 Sculptured Rails** to front and back of Playhouse using $1\frac{1}{4}$ " wood screws, flush with outside edges and top of rails $1\frac{1}{2}$ " above tops of wall panels per diagrams.



Front

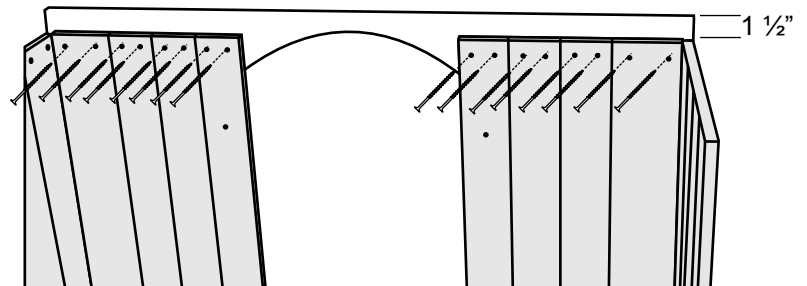
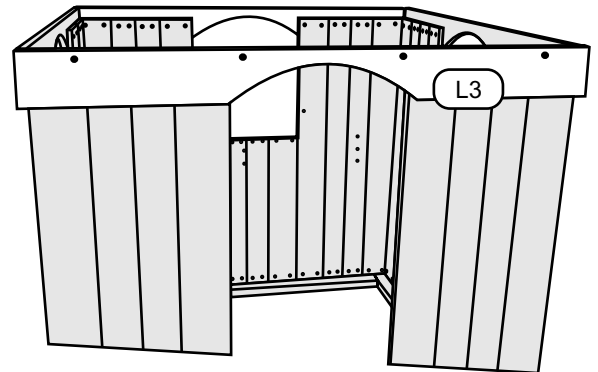
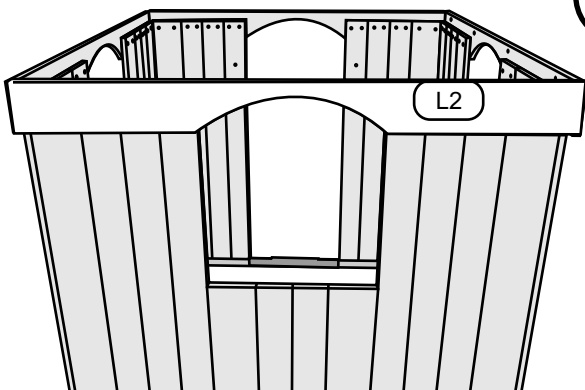


Z8-1.25WS
#8 X 1-1/4"
WOOD
SCREW



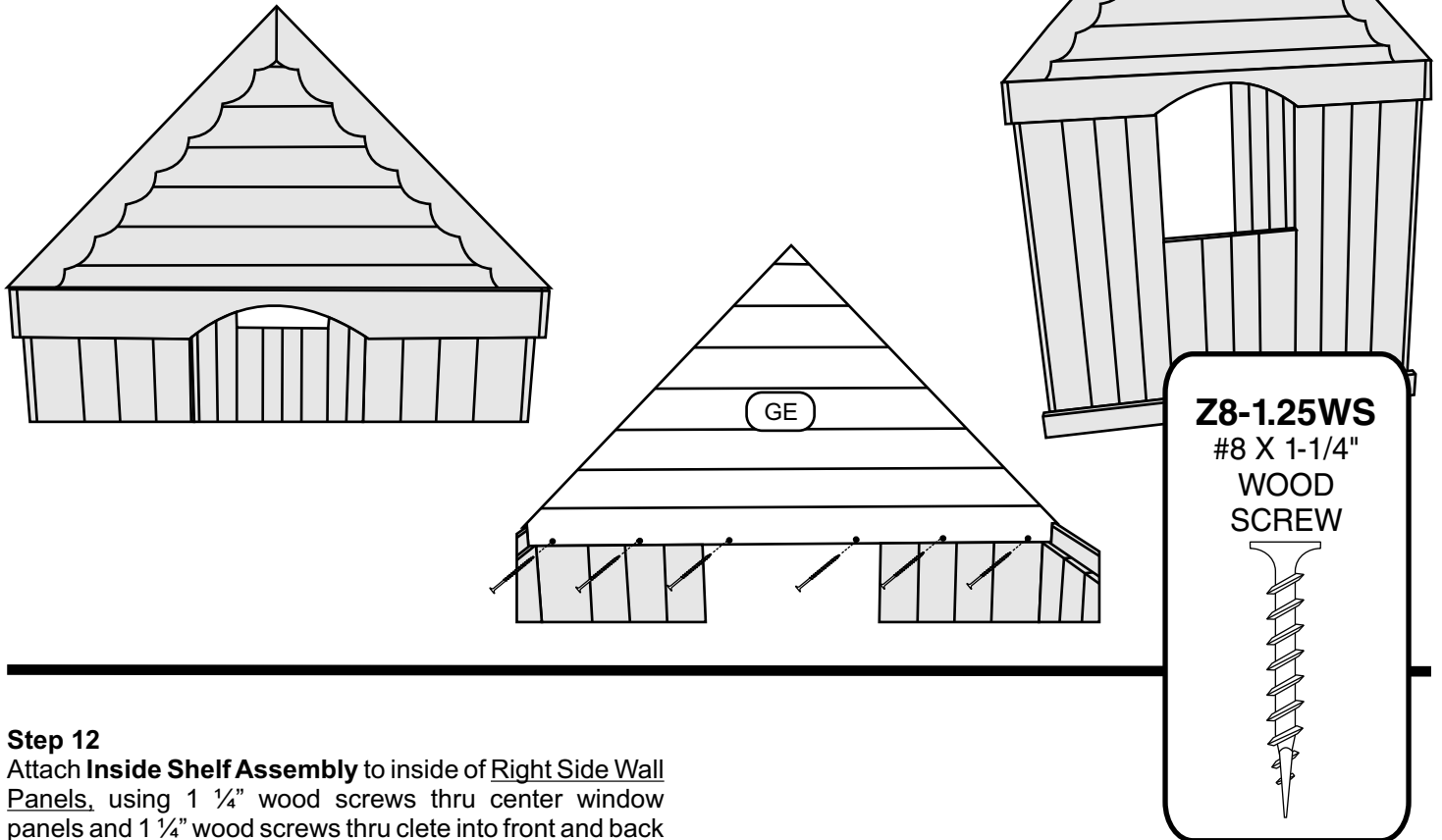
Step 10

Attach **L2 Right Sculptured Rail** to Right Side Wall Panels and **L3 Left Sculptured Rail** to Left Side Wall Panels, again using $1\frac{1}{4}$ " wood screws, flushing both with L1 Sculptured Rails.



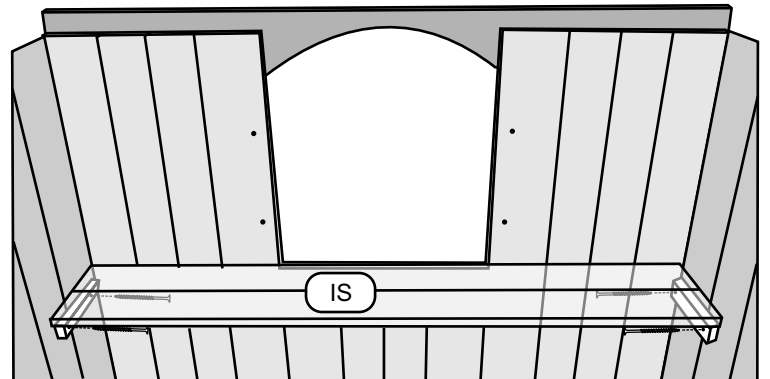
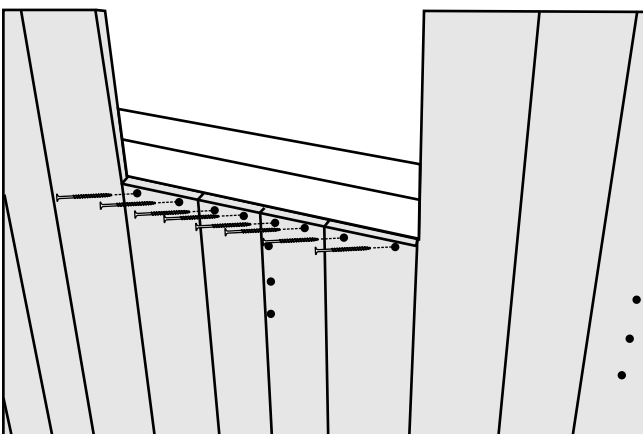
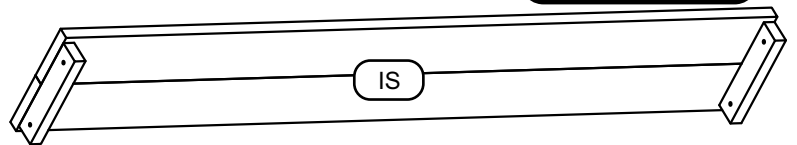
Step 11

Attach **Gable End Assemblies** to the front and back of Playhouse using 1 ¼" wood screws on the inside as shown.



Step 12

Attach **Inside Shelf Assembly** to inside of Right Side Wall Panels, using 1 ¼" wood screws thru center window panels and 1 ¼" wood screws thru cleat into front and back wall panels.

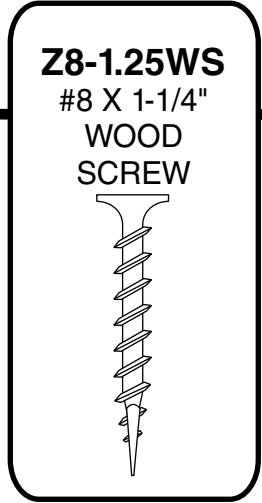
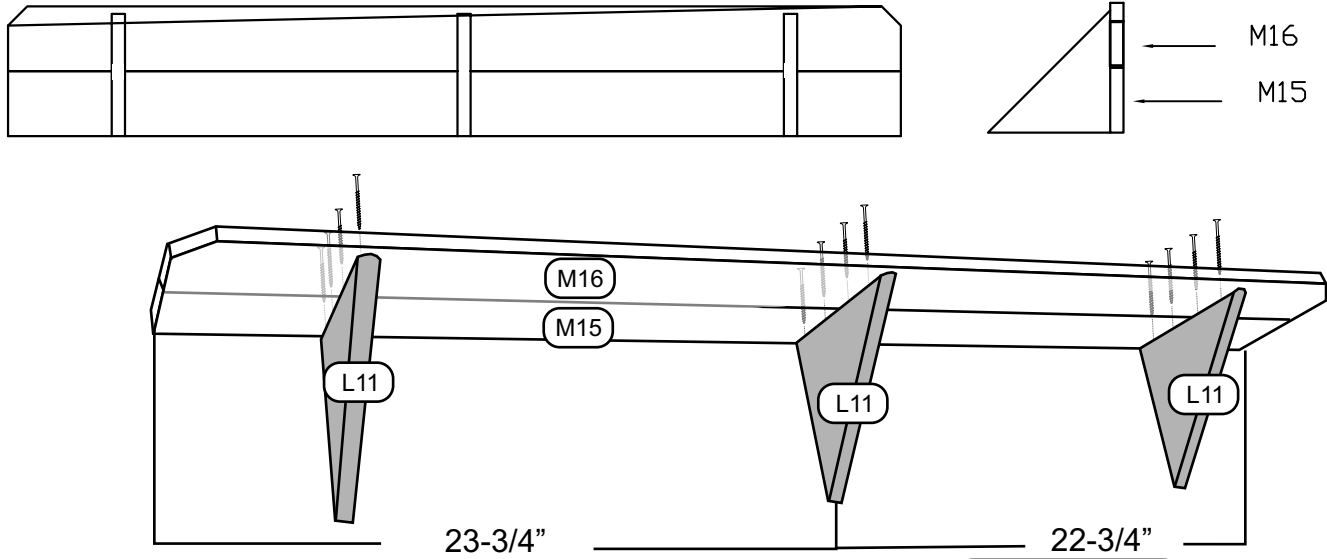


Step 13

Position the **M15 & M16 Outer Shelf Board** as shown. Note that the holes are slightly off center.

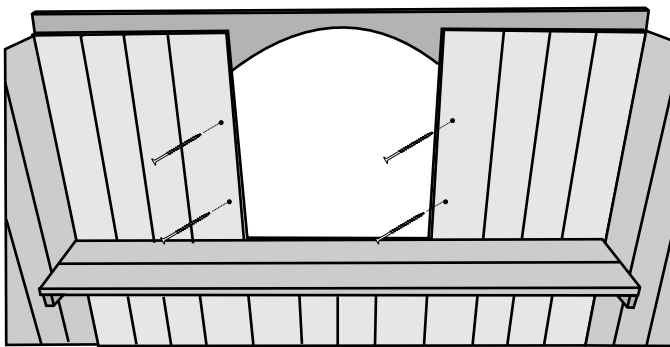
Attach the **L11 Shelf Supports** using 1-1/4" wood screws, making sure that the backside of the L11 & M15 are flush.

Hint: Stand the M15 & L11's on a flat surface and attach. Then attach M16.

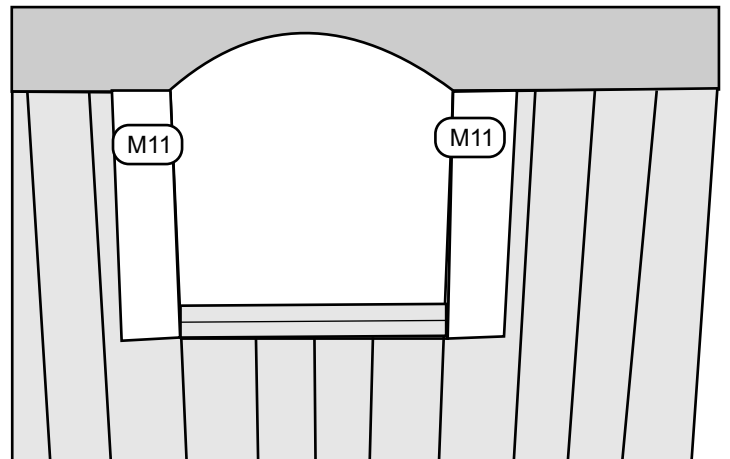


Step 14

Attach **M11 Window Trim** to Right Side Wall Panels flush with inside of window and tight against arch, using 1-1/4" wood screws from inside wall panels per diagrams.



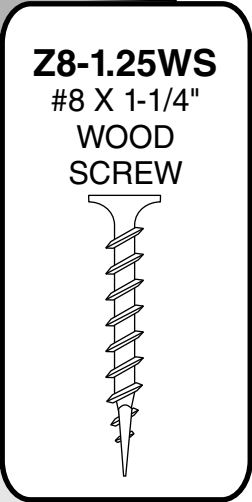
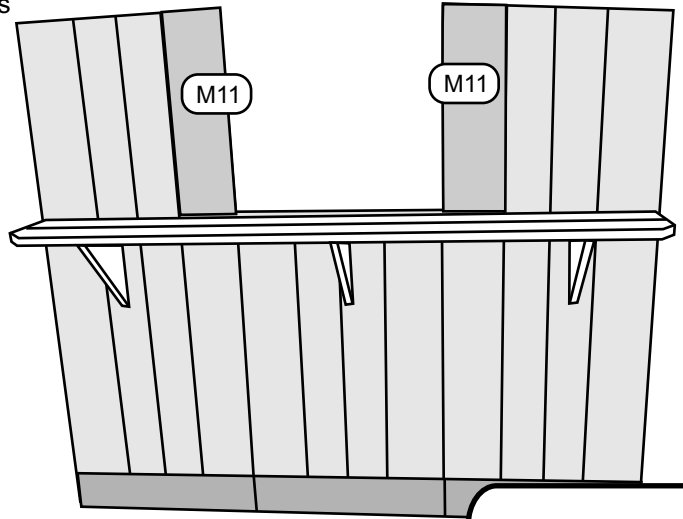
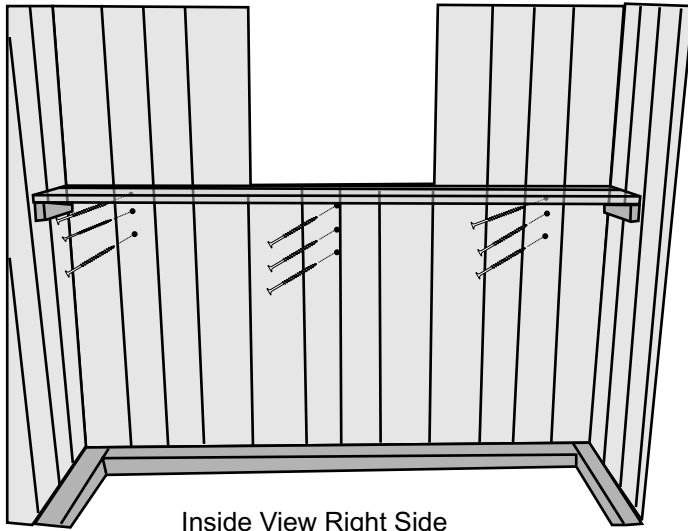
Inside View



Outside View

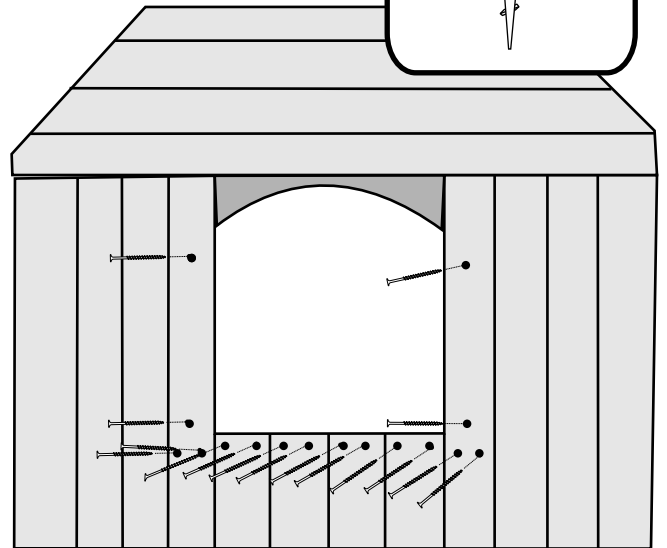
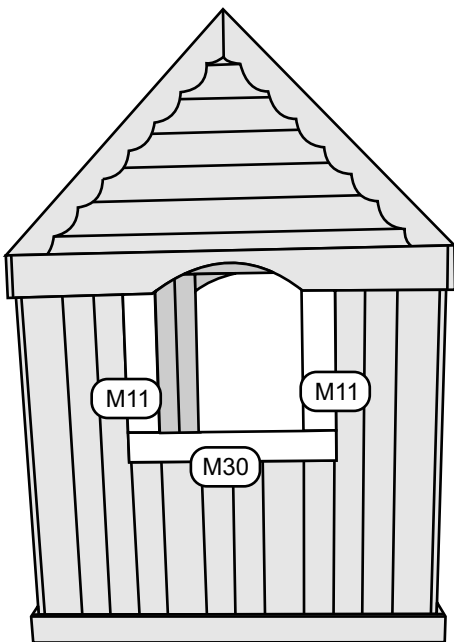
Step 15

Attach **Outside Shelf Assembly** to outside of right wall pushing up against M11 Window Trim and attach using 1 1/4" wood screws from inside wall panels per diagram.



Step 16

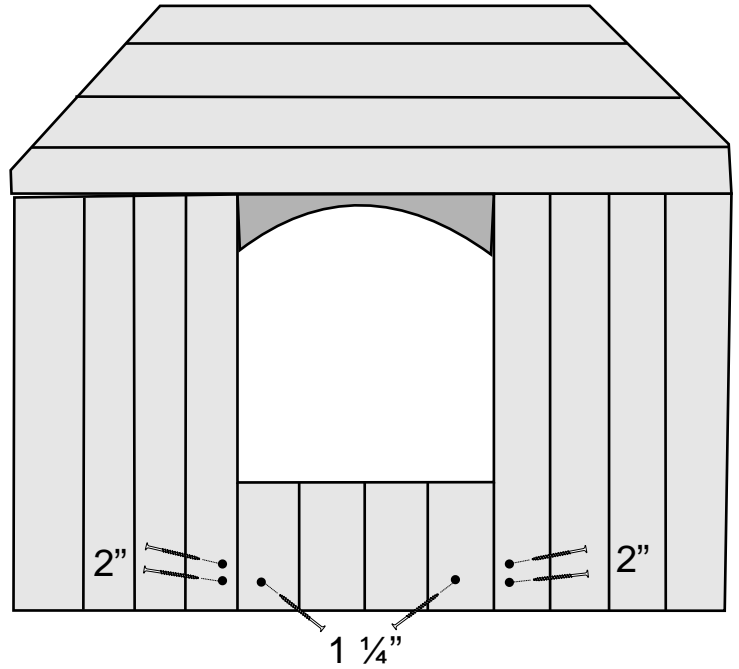
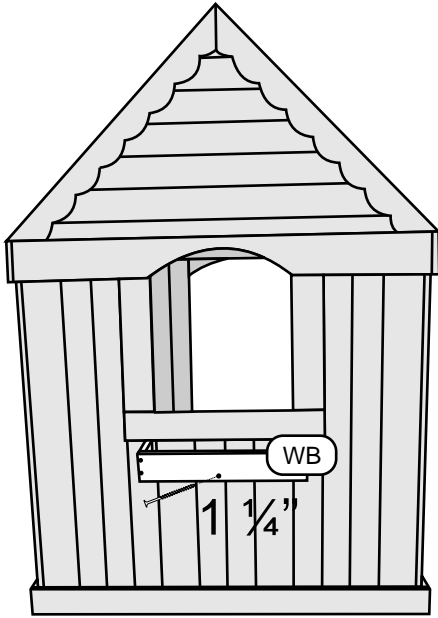
Attach M11 Window Trim Boards to back wall with 1 1/4" wood screws from Inside Back Wall panels. Now attach **M30 Window Trim** pushing up against M11's with 1 1/4" wood screws from Inside Wall panels per diagrams



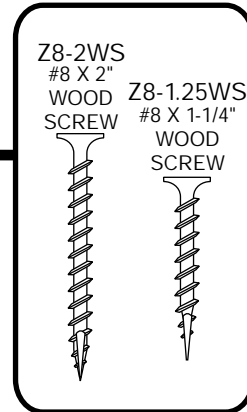
Step 17

Attach the **WB Window Box** below the Back Window Trim as shown using four 2" wood screws thru the holes located in the Back Side Right and Back Side Left Wall Panels. Use two 1-1/4" wood screws thru the holes located in the Back Side Center Panel.

Use one 1-1/4" wood screw thru the front for the window box into the front bottom board of the window box as shown.

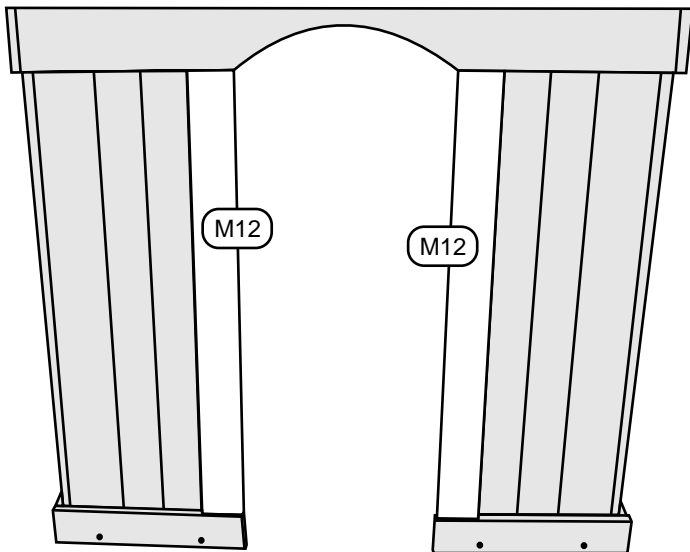


Back Side Inside and Outside View

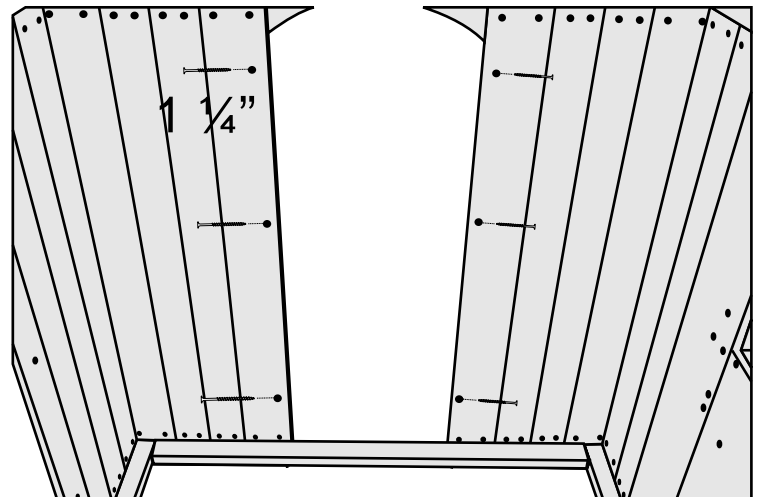


Step 18

Attach **M12 Door Trim** to Front Wall Panel with 1 1/4" wood screws from inside playhouse.



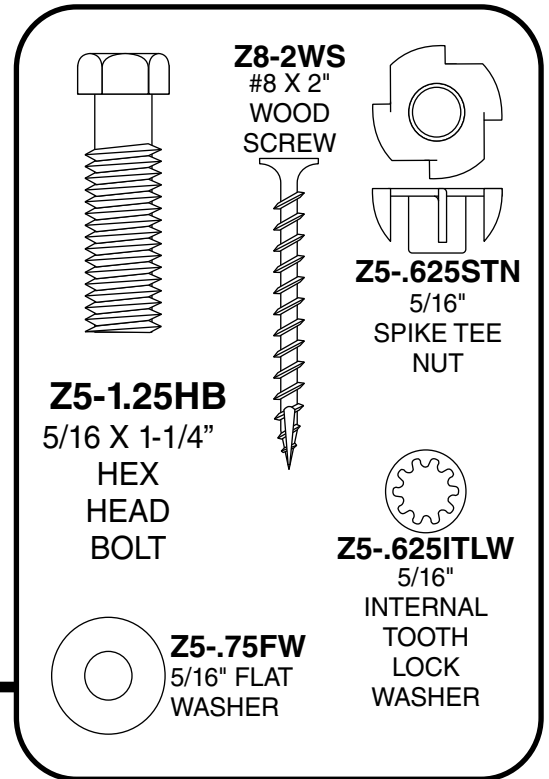
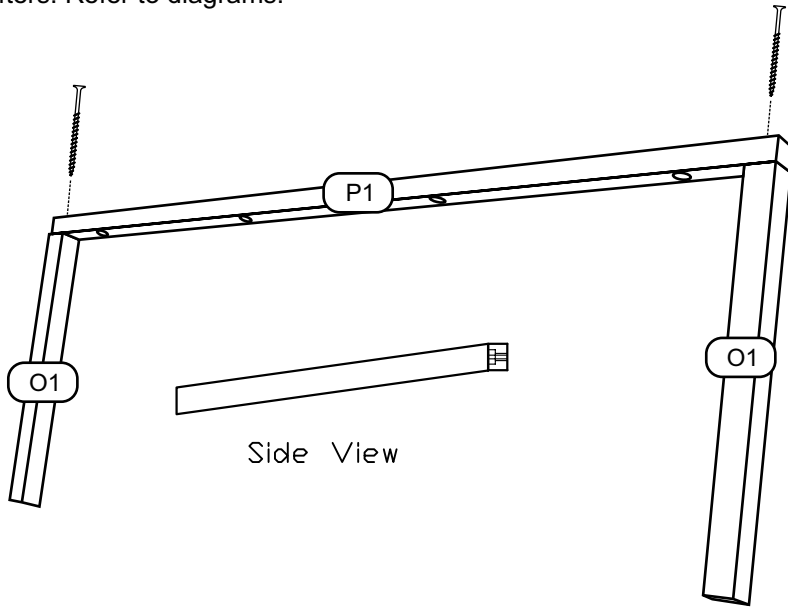
Front View Outside and Inside



Step 19

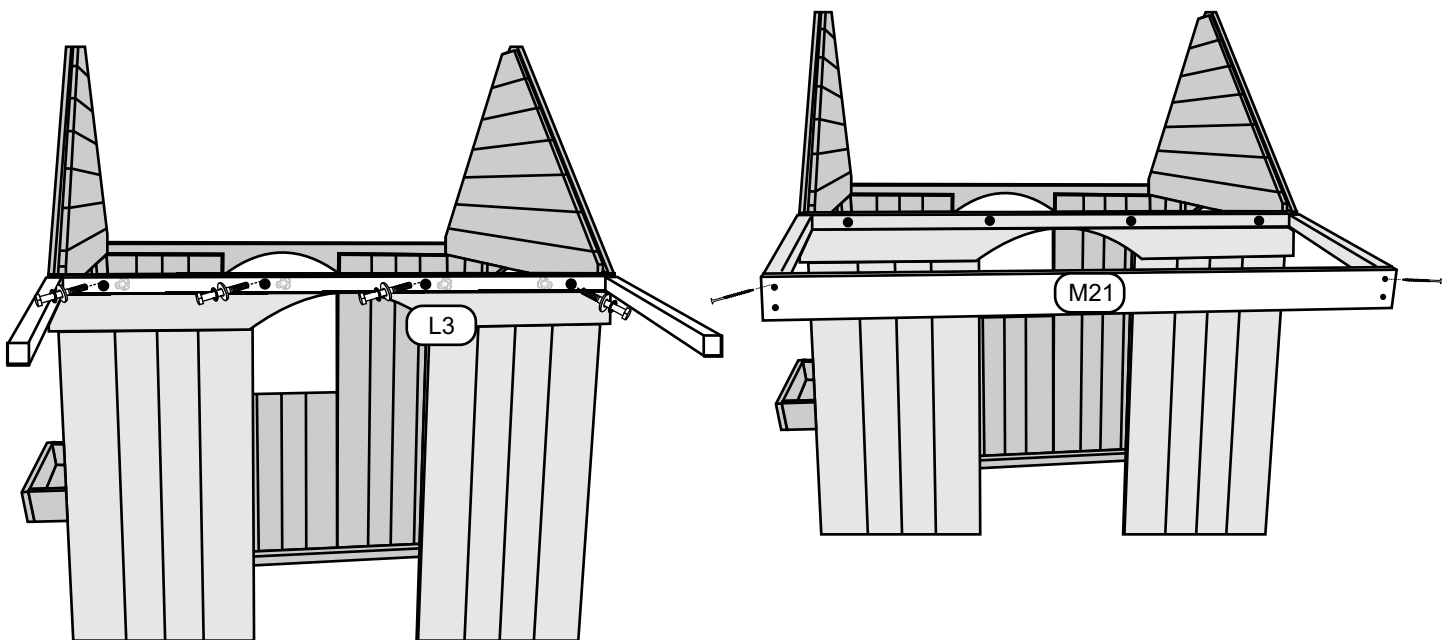
Attach **O1 Porch Rafter Boards** to **P1 Porch Support** using 2" wood screws.

Note: Countersunk holes towards front and angle of O1 Porch Rafter. Refer to diagrams.



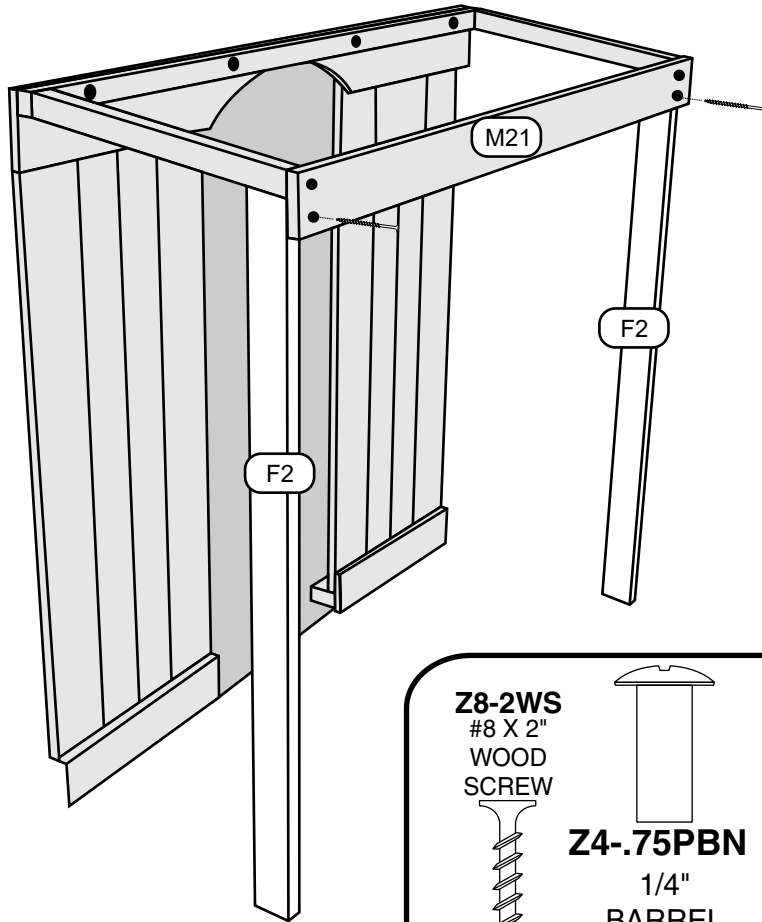
Step 20

Attach Porch Rafter assembly to playhouse using 1 1/4" Hex bolts, lock washers, flat washers and spike t-nuts to **L3 Sculptured Rail**. Now attach **M21 Porch Rail** with 2" wood screws, flush with O1 Porch Rafter.



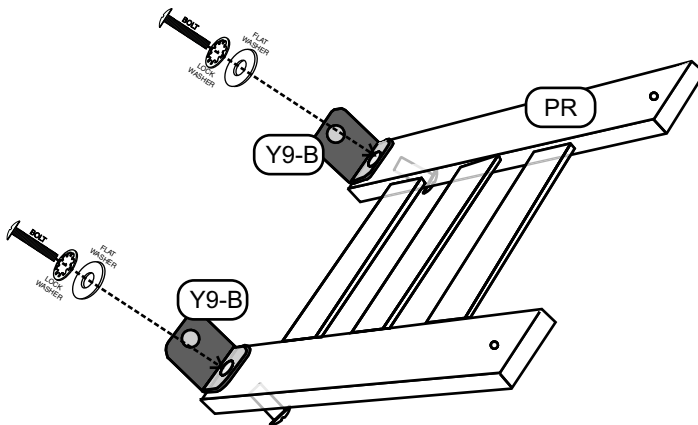
Step 21

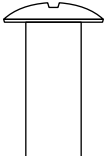

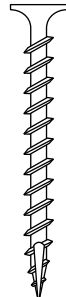

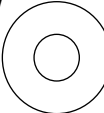
Attach **F2 Porch Roof Support** to Porch Rafter Assembly using 2" wood screws thru M21 into F2's.



Step 22

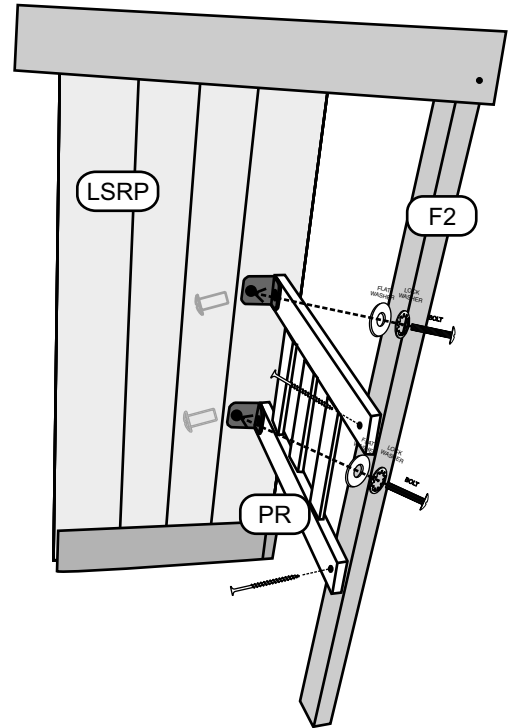
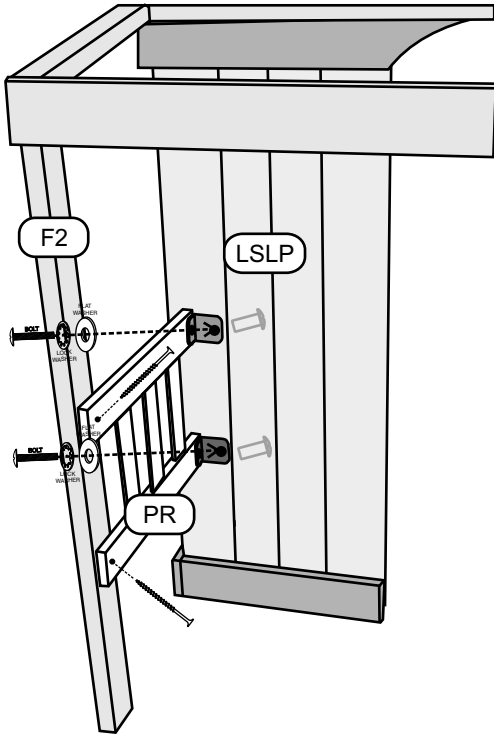
Attach **Y9-B L-Bracket** to both Porch Rail Assemblies with 3/4" phillips truss head bolts, 1/4" lock washers, flat washers and barrel nuts.



Z8-2WS #8 X 2" WOOD SCREW		
	Z4-.75PBN 1/4" BARREL HEAD NUT	Z4-.75PTH 1/4 X 3/4" PHILLIPS TRUSS HEAD BOLT
		
Z4-.625ITLW 1/4" INTERNAL TOOTH LOCK WASHER		Z5-.75FW 5/16" FLAT WASHER

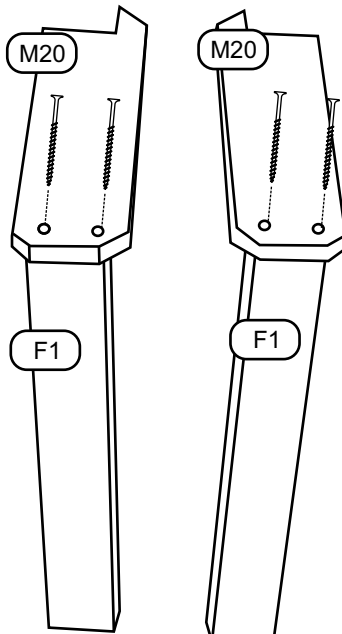
Step 23

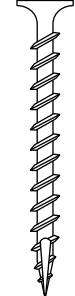
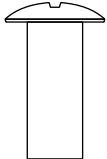



Attach **Porch Rail Assemblies** to Left and Right Side Wall Panels with $\frac{3}{4}$ " phillips truss head bolts, $\frac{1}{4}$ " lock washers, flat washers and barrel nuts. Finish fastening Porch Rails to F2 Porch Roof Supports with 2" wood screws.



Step 24

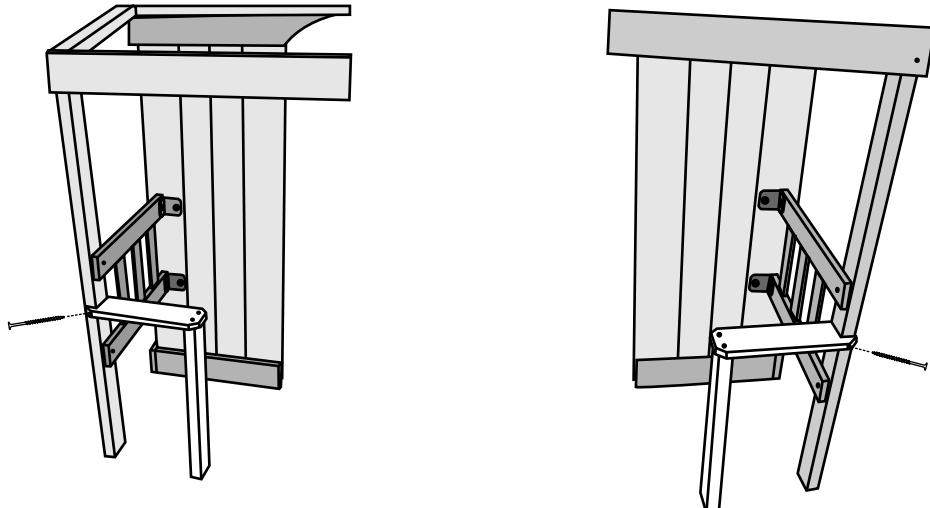
Attach **M20 Arm Rests** to **F1 Bench Supports** using 2" wood screws, per diagram, creating one left assembly and one right assembly.



<p>Z8-2WS #8 X 2" WOOD SCREW</p> 	<p>Z4-.75PBN 1/4" BARREL HEAD NUT</p> 	<p>Z4-.75PTH 1/4 X 3/4" PHILLIPS TRUSS HEAD BOLT</p> 
<p>Z4-.625ITLW 1/4" INTERNAL TOOTH LOCK WASHER</p> 	<p>Z5-.75FW 5/16" FLAT WASHER</p> 	

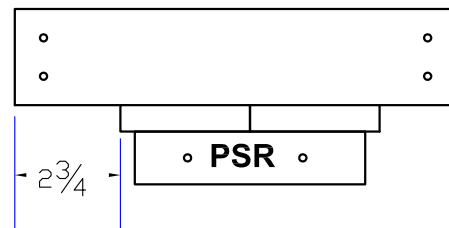
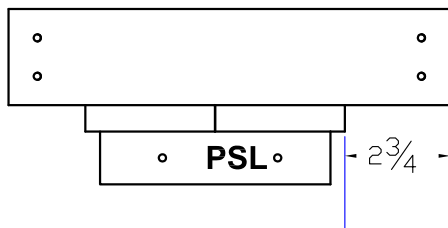
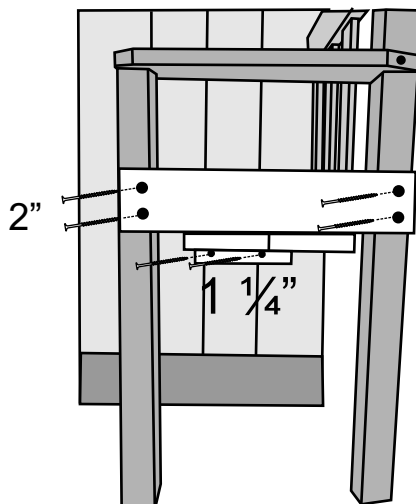
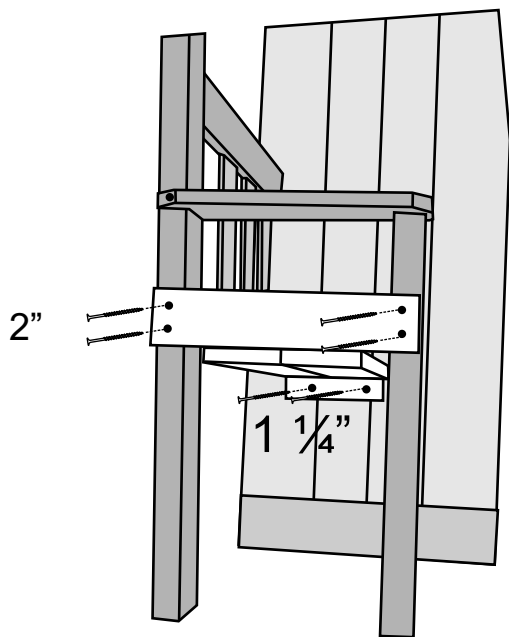
Step 25

Attach **Left and Right Bench Assemblies** to F2 Porch Roof Supports with 2" wood screws.

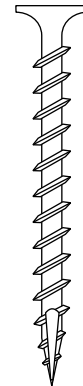


Step 26

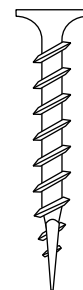
Attach **Left Porch Seat** and **Right Porch Seat** assemblies to F1 and F2 with 2" wood screws, and to Right and Left Wall Panels with 1 1/4" wood screws per diagram.



Z8-2WS
#8 X 2"
WOOD
SCREW

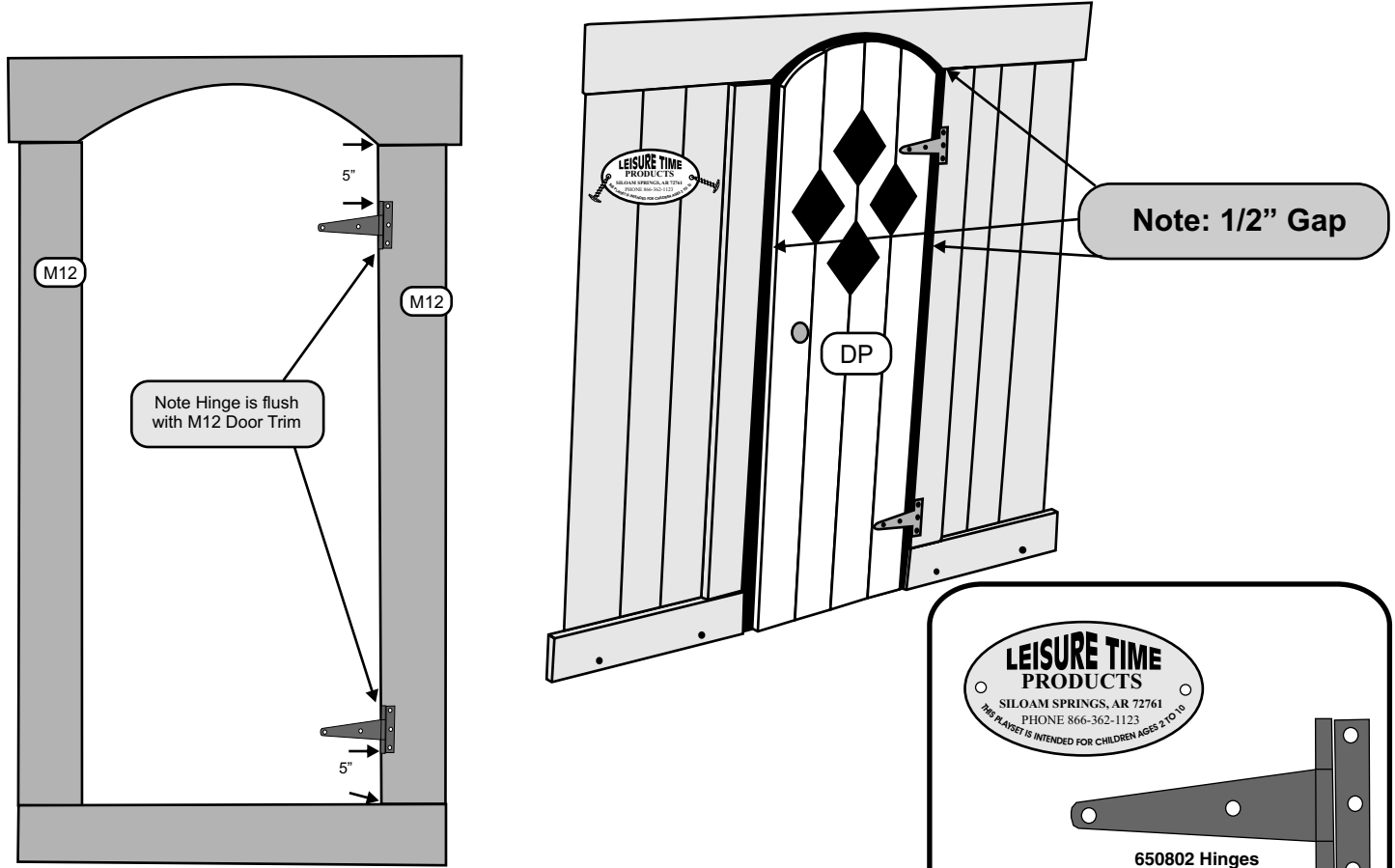


Z8-1.25WS
#8 X 1-1/4"
WOOD
SCREW



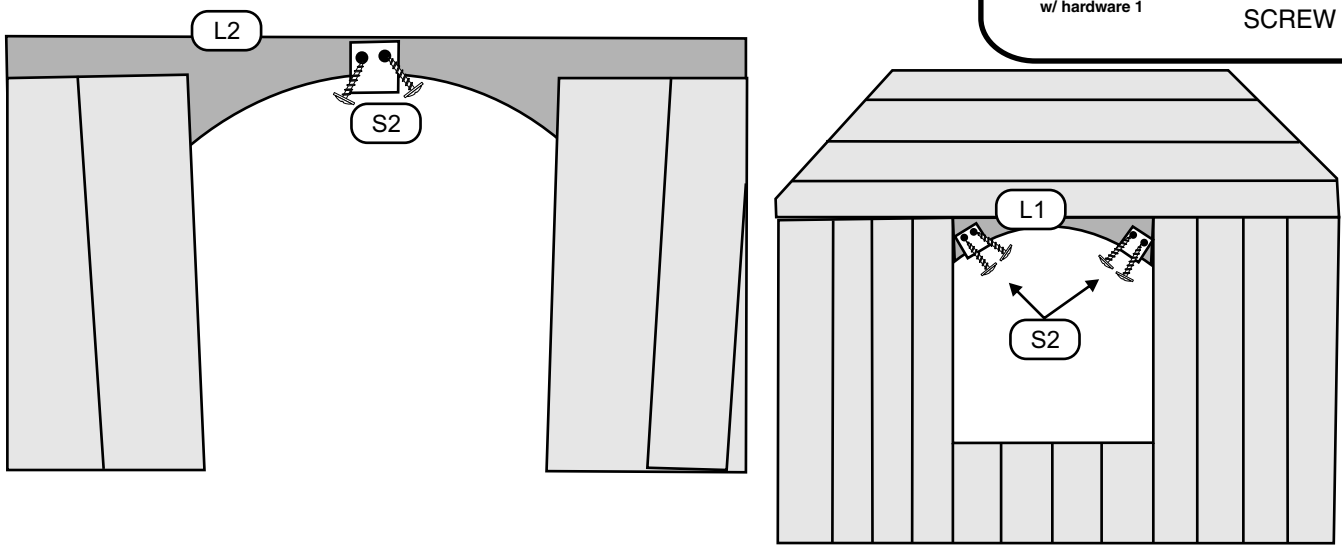
Step 27

Attach **Hinges** to M12 Door Trim 5" from top and bottom of board keeping the hinge flush with M12 Door Trim using hardware included in hinge packaging. Next attach **Knob** to Door with hardware included. Reference diagrams. Attach Door to Hinges leaving a 1/2" gap on both sides and top. Attach I.D. Plate to house using 3/4" washer head screws.



Step 28

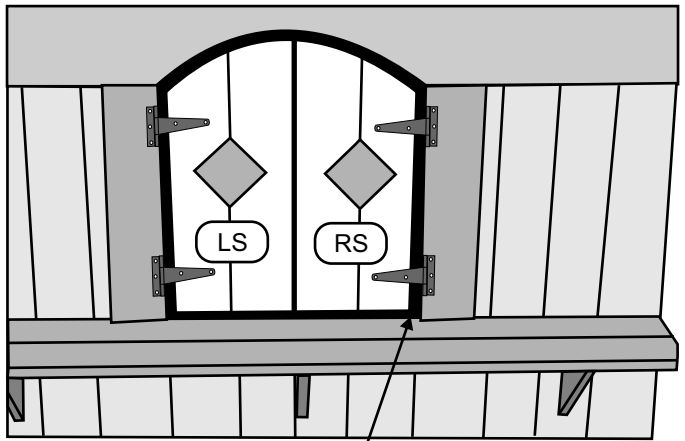
Attach **S2 Shutter Stop** to inside of L2 Right Sculptured Rail with 3/4" washer head screws. Now attach S2 Shutter Stops to inside of L1 Back Sculptured Rail with 3/4" washer head screws.



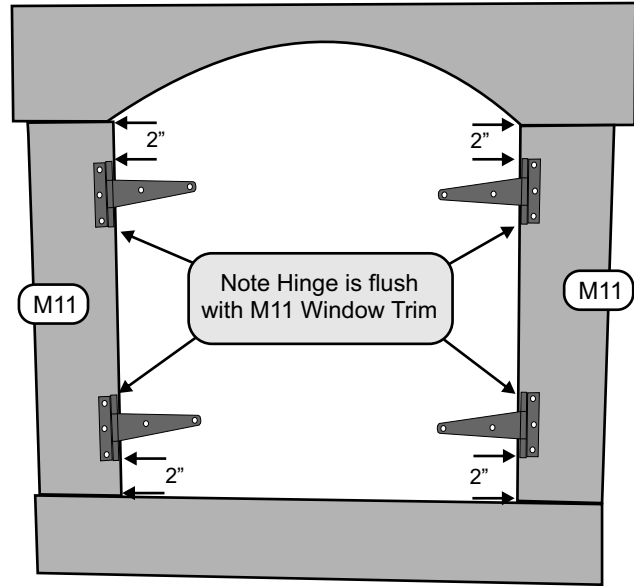
Step 29

Attach Shutter assemblies to both Back Window and Right Window with hardware included in hinge packaging. Attach the hinges to the M11 Window Trim positioning them 2" from the top and bottom of the window trim as example shows. Then attach the shutters leaving 1/2" gap on top, bottom and the Hinge sides, leaving a small gap in center where shutters come together. Adjust so shutters will open freely.

Note: Hinge is flush with M11 Window Trim

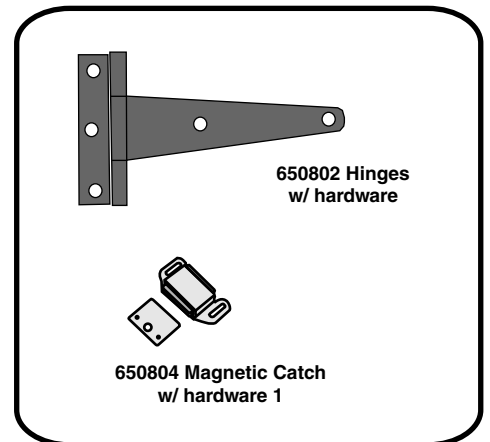
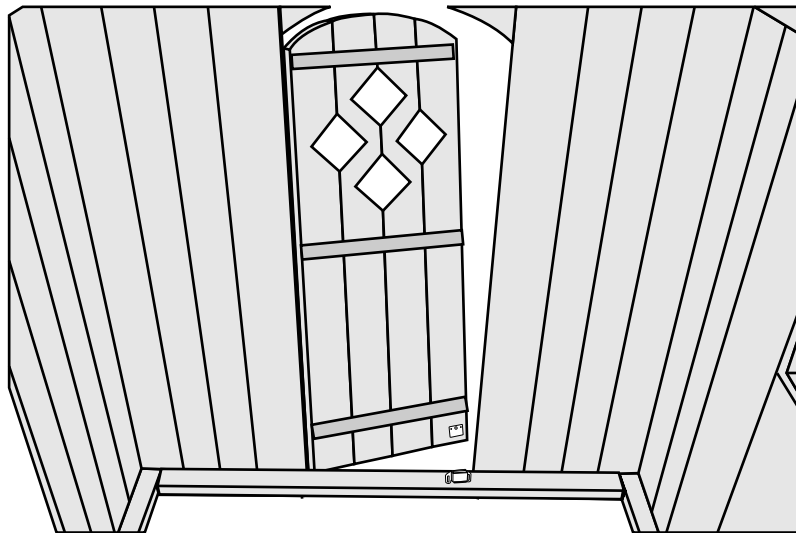
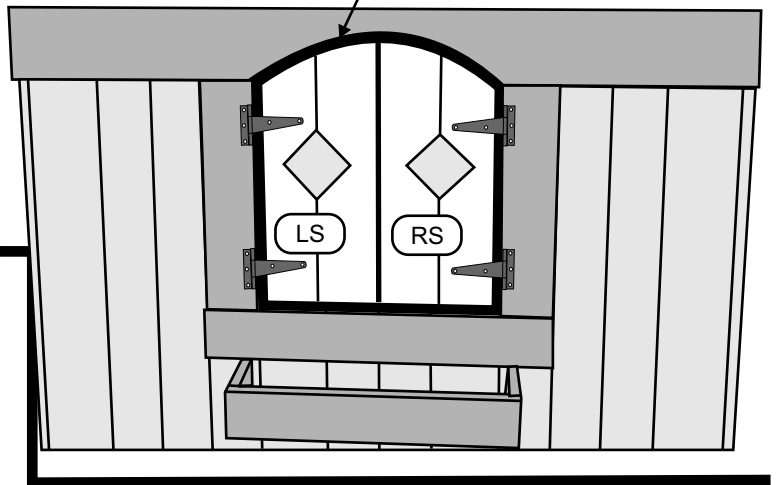


Note: 1/2" Gap



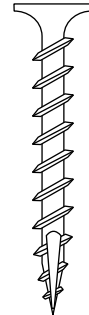
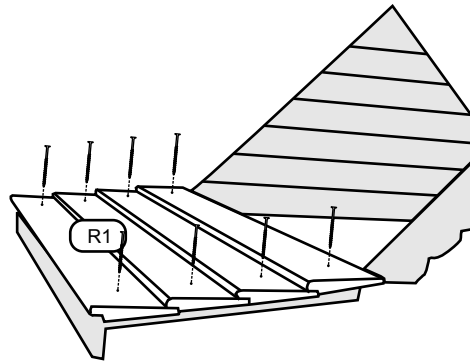
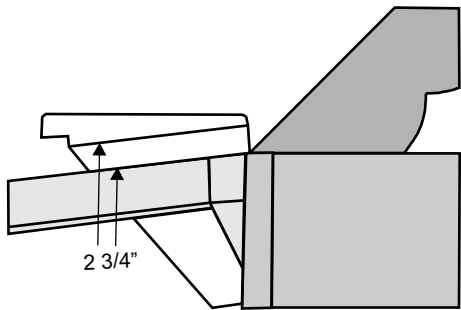
Step 30

Attach Door to Playhouse using hardware from hinge packaging. Center and adjust Door to open freely. Attach **Metal Door Latch Plate** to the door and **Magnetic Clasp** to F4 Frame Board as shown.



Step 31

Attach **R1 Roof Slat** to Porch Rafter assemblies using $1\frac{1}{2}$ " wood screws. Attach first Roof Slat next to Playhouse Gable End Assemblies, allowing a $2\frac{3}{4}$ " over hang on Porch Rafters, as shown in diagrams. Finish attaching three more R1 to Porch using $1\frac{1}{2}$ " wood screws.



Z8-1.5WS
#8 X 1-1/2"
WOOD
SCREW

Step 32

Make sure that the top of the Gable End Assemblies measure $48-1/2$ " from outside to outside.

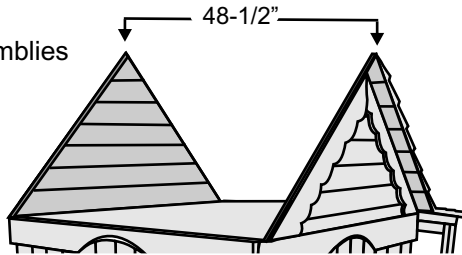
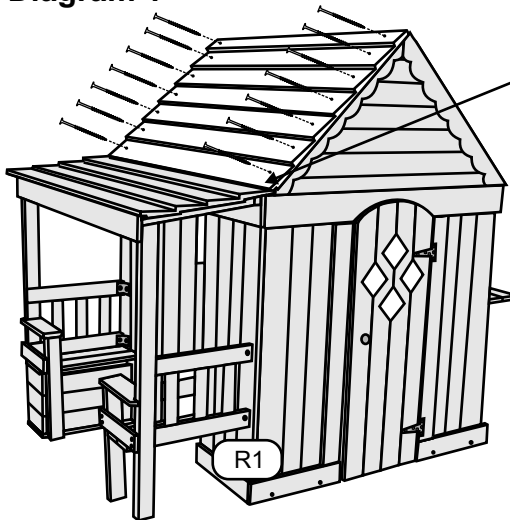
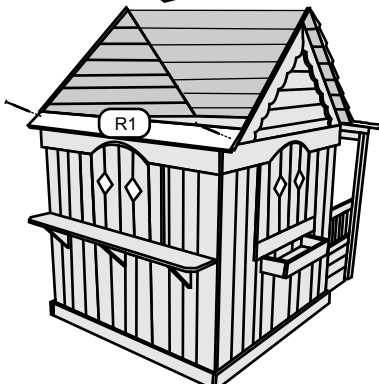


Diagram 1

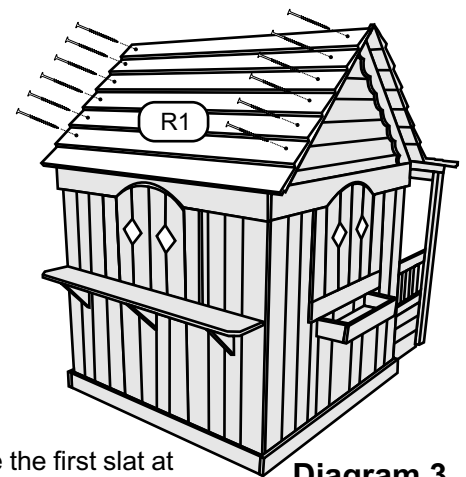


Place an R1 Roof Slat tight against the porch roof as show in Diagram 1. Attach the roof slat using $1-1/2$ " wood screws. Continue attaching the remaining six roof slats on this side of the roof, maintaining the side overhang of $2-3/4$ " all the way up.

Diagram 2

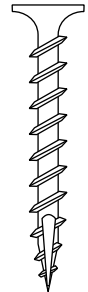
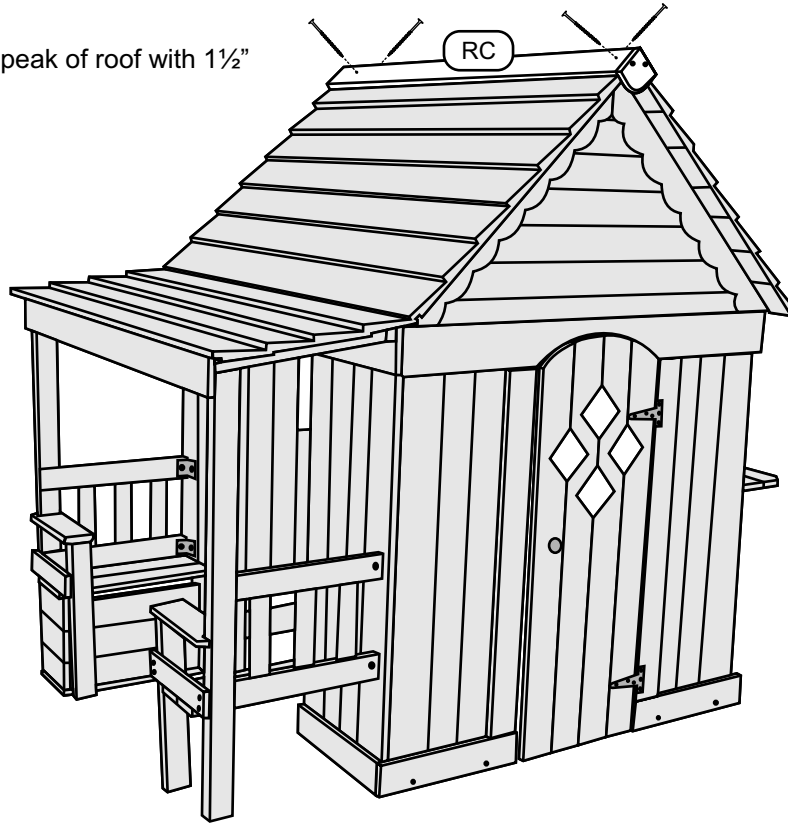


To begin the roof slats on the right side, place the first slat at the bottom of the Gable End. The roof slat will overhang $2-3/4$ " on each side and overhang $1-1/2$ " at the bottom as shown in Diagram 2. Attach the roof slat using $1-1/2$ " wood screws. Continue attaching the remaining six roof slats on this side of the roof as shown in Diagram 3.



Step 33

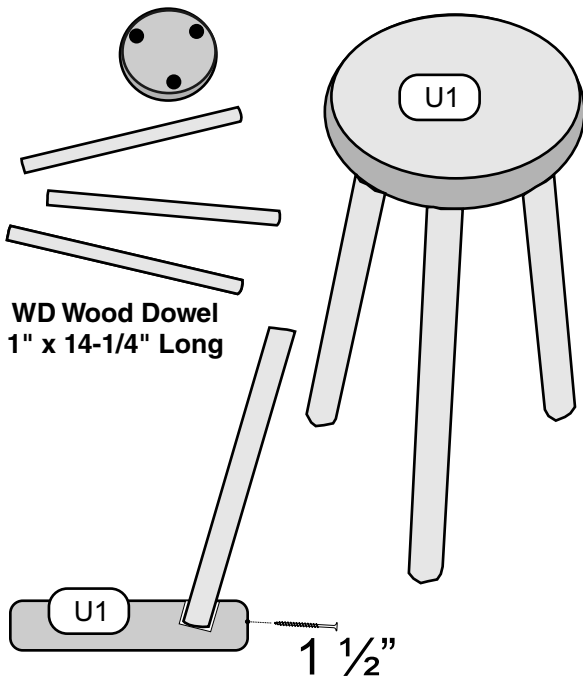
Attach **Ridge Cap Assembly** to peak of roof with 1 1/2" wood screws.



Z8-1.5WS
#8 X 1-1/2"
WOOD
SCREW

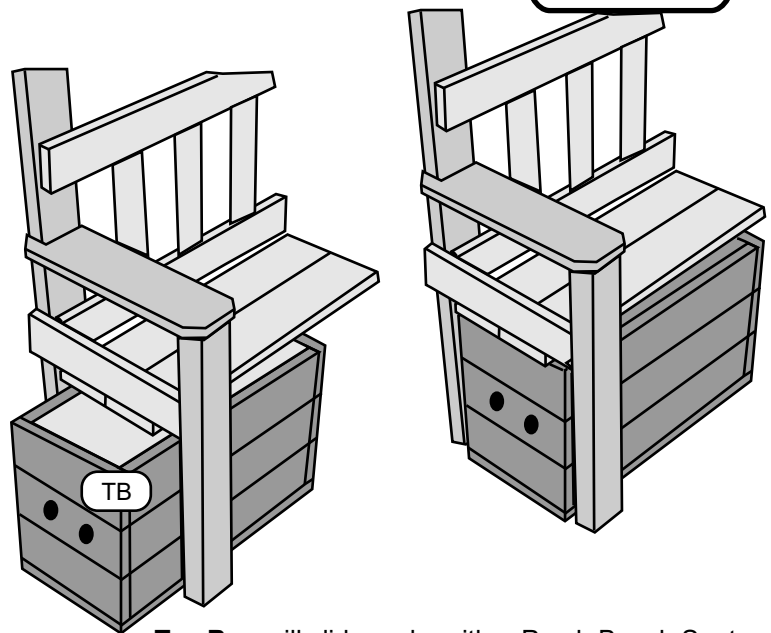
Step 34

Drive **WD Wood Dowels** into **U1 Stool Seat**, attach using 1 1/2" wood screws.



WD Wood Dowel
1" x 14-1/4" Long

1 1/2"



Toy Box will slide under either Porch Bench Seat.
Holes in box are for easy removal.

MAINTENANCE

REQUIRED PERIODIC MAINTENANCE

All outdoor wooden products, including Leisure Time Products, Inc products, require routine inspection and regular maintenance. After installation, a follow-up inspection should take place after one week and twice a month thereafter for the remaining life of your play products. Maintenance should be performed at any time it is deemed necessary. As a general rule, major maintenance (wood refinishing) should be performed at twelve month intervals from the date of installation. Inspect and perform maintenance based on the following checklist.

Major wood parts: inspect for splintering and structural defects. If necessary, lightly sand and refinish with an exterior water repellent stain.

Hardware: inspect for tightness. Be certain that hardware is firmly against, but not crushing the wood. Over-tightening hardware crushes wood fibers and splits wooden components and could result in the bolt threads extending beyond the wood and presenting a severe safety hazard. If splintering has occurred from over tightening, larger washers can be purchased at your local hardware store and installed under the bolt head. Be sure to reuse or replace your lock washers.

If over-tightening has caused the bolt threads to protrude beyond the wood surface, replace the bolt with a shorter one that will not protrude. These bolts are standard items and can be purchased at your local hardware store.

Metal components: sand rusted areas on painted components and repaint using a non-lead based paint meeting the requirements of Title 16 CFR Part 1303.

In the event that your set needs to be dismantled and disposed of due to storm damage, age, or other cause, make sure that you check your local city and state regulations or with your sanitation department for the proper method and means of disposal. Please dispose of the unit in such a way that no unreasonable hazards will exist (sharp edges, broken parts, and exposed screws) at the time it is discarded.

Oil hinges with a fine oil once a month.

COMMONLY ASKED QUESTIONS AND ANSWERS

This section addresses some specific issues sometimes encountered during and after the assembly. Most are re-emphasis of items covered in detail elsewhere in this manual.

Question: ***Now that my playset product is assembled and installed, will I have to do anything to it?***

Answer: Yes. You must provide routine inspections and regular maintenance. These procedures are covered in the "required periodic maintenance" section.

Question: ***How often should my assembled playset product be inspected?***

Answer: An initial inspection should take place one week after installation and twice a month thereafter for the remaining life of your playset product.

Question: ***When should the necessary maintenance be performed?***

Answer: Generally speaking, at the beginning of each season or as often as may be deemed necessary from an inspection. Major maintenance (primarily a thorough inspection and re-staining) should be performed at twelve-month intervals from the date of installation.

Question: ***How do I know when my playset product needs refinishing?***

Answer: If water is absorbed into the wood, it's time to refinish your product. If, however, water beads and rolls off the wood, surfaces are protected.

Question: ***Why does it seem that my playset product is developing cracks?***

Answer: The correct terminology for what appears to be cracks is "wood checks". A check is the radial separation of wood fibers running with the grain of wood caused by varying temperatures and moisture conditions. These checks will develop on the surface and end grains of the wood as an unavoidable aspect of the natural weathering process of all wood exposed to the elements. Checks occur after the wood has been wet, and outside surfaces dry faster than inside surfaces. Checks mainly affect the aesthetics of your play products and not its strength or durability. An exterior water repellent stain slows down the checking process because it reduces the amount of water that penetrates the wood.

Question: ***Why is my play product leaning (racking)?***

Answer: Leaning occurs in play products installed on uneven ground. Realignment will be necessary and is covered in the "required periodic maintenance" section of this manual

Question: ***Why is the wood splintering under the bolts when I tighten the hardware?***

Answer: Wood will splinter when compressed. The compression caused by over-tightening fractures wood fibers and is an indication that you are cranking down to hard on the hardware. If splintering has occurred, we recommend that you purchase larger diameter flat washers to install under the head of the bolts.

Question: ***Why does my play product have mold growing on it? What can I do to remove it and keep it clean of mold and mildew?***

Answer: Because the structure is wooden rather than concrete or steel, in areas of high humidity mold and/or mildew may occur. A solution of 1 part bleach, 2 parts water applied with a sponge should clean the problem areas. Once the solution is dry, a water sealant should be applied to the entire swingset.

Question: ***Who can I hire to assemble my playset?***

Answer: We do not suggest assemblers. Please refer to your yellow pages or ask for a recommendation from where you purchased your playset.

FOR YOUR RECORDS

WHERE PURCHASED: _____

PURCHASE DATE: _____ INSTALLATION DATE: _____

MODEL NAME & NUMBER _____

PLEASE READ THIS BOOKLET COMPLETELY BEFORE BEGINNING THE ASSEMBLY PROCESS.

THIS MANUAL HAS BEEN PREPARED TO HELP YOU AND YOUR FAMILY ACHIEVE FULL BENEFIT FROM YOUR *LEISURE TIME PRODUCTS INC.* BACKYARD PLAYSET. IT CONTAINS HELPFUL INFORMATION CONCERNING ASSEMBLY PREPARATION, INSTALLATION PROCEDURE, REQUIRED MAINTENANCE, REPLACEMENT PARTS, AND SHOULD THE SITUATION OCCUR, THE PROCEDURE FOR FILING A WARRANTY CLAIM.

PLEASE VALIDATE YOUR WARRANTY BY COMPLETING THE WARRANTY INFORMATION CARD AND RETURN IT TO US WITHIN 30 DAYS OF INSTALLATION. THIS INFORMATION IS USED EXCLUSIVELY FOR INTERNAL PURPOSES AND AS A VERIFICATION IF NECESSARY.

THE WARRANTY ON *LEISURE TIME PRODUCTS INC.* PLAY PRODUCTS IS VALID TO THE ORIGINAL PURCHASER AND IS NOT TRANSFERABLE. IT SHOULD BE NOTED THAT *LEISURE TIME PRODUCTS INC.* CANNOT ASSUME ANY RESPONSIBILITY FOR MODIFICATION, OR ACCESSORIES ADDED TO THIS PRODUCT OTHER THAN THOSE MANUFACTURED AND SOLD BY *LEISURE TIME PRODUCTS INC.*

THIS PRODUCT HAS BEEN DESIGNED FOR RESIDENTIAL USE ONLY. THE WARRANTY BECOMES VOID WHEN USED IN A DAYCARE, PRESCHOOL, NURSERY SCHOOL, RECREATIONAL PARK OR ANY OTHER SIMILAR COMMERCIAL APPLICATION.

FOR WARRANTY CLAIM PURPOSES, YOU MUST RETAIN YOUR SALES RECEIPT OR OTHER MEANS OF PROOF-OF-PURCHASE. YOU SHOULD ALSO KEEP THIS BOOKLET FOR FUTURE REFERENCE. PLEASE ATTACH THE SALES RECEIPT TO THE INSIDE COVER OF THIS BOOKLET FOR FUTURE REFERENCE.

LEISURE TIME PRODUCTS, INC.: 1-YEAR LIMITED WARRANTY

It is the customers' responsibility to install and maintain their playset as instructed in the instruction manual. Subject to normal use, Leisure Time Products, Inc. warrants to the original purchaser all products to be free from workmanship defects for a period of one-year from the date of the original purchase. The warranty on Leisure Time Products, Inc. play products is valid to the original purchaser and is not transferable.

Wooden parts: All wooden parts are covered against wood rot and termite damage for 1-year from the original purchase date.

Non-wooden parts: Hardware, roped or chained accessories, slides, metal or plastic components, canvas and mesh are covered 1-year from the original purchase date.

For a complete listing of our replacement parts is available through Leisure Time Products, Inc. customer service department. Contact information: 1-800-765-4138 • Fax: (479) 524-6481 • PO Box 459 Siloam Springs, AR 72761
www.leisuretimeproducts.com • E-mail: leisuret@cox-internet.com

This warranty covers residential installations only as the product has not been designed for, nor will perform safely, in any commercial application. The warranty becomes void for when used in a daycare, preschool, nursery school, recreational park or any other similar commercial application.

This warranty provides you with specific legal rights and you may also have other rights, which vary from state to state. This warranty excludes are consequential damages. Some states do not allow the limitation or exclusion of consequential damages so the above limitations may not apply to you.

Validating your warranty

Please validate your warranty by completing the warranty information card and return it to us within 30 days of your purchase. This information is used exclusively for internal purposes and for verification, if necessary. Also retain a copy of your sales receipt or other proof-of-purchase as this will be required should it become necessary to submit a claim.

Limitations

This limited warranty does not cover labor for the replacement of the defective item; the cost of freight after 30 days from original purchase; any incidental or consequential damages, cosmetic defects which do not affect the structural integrity of the unit; items damaged due to vandalism, acts of nature, improper usage or installation; or other abnormal conditions.

DETACH HERE AND MAIL

LEISURE TIME PRODUCTS, INC. WARRANTY CARD

6508 WOODRIDGE Playhouse

NAME _____

ADDRESS _____

CITY _____ ST _____ ZIP _____

PHONE (____) _____

DATE PURCHASED _____

INSTALLATION DATE _____

PRODUCT SATISFACTION: (CIRCLE ONE BELOW)

EXCELLENT GOOD FAIR POOR

I HAVE READ THE ASSEMBLY BOOKLET AND UNDERSTAND MY RESPONSIBILITY TO MAINTAIN MY PLAY PRODUCT AND TO INSTRUCT MY CHILDREN ON PROPER PLAY AND SAFETY PROCEDURES. I ALSO UNDERSTAND THAT ALL CHILDREN THAT UTILIZE MY PLAY PRODUCT ARE TO BE SUPERVISED AT ALL TIMES.

PARENT/OWNER _____

DATE _____

COMMENTS: _____

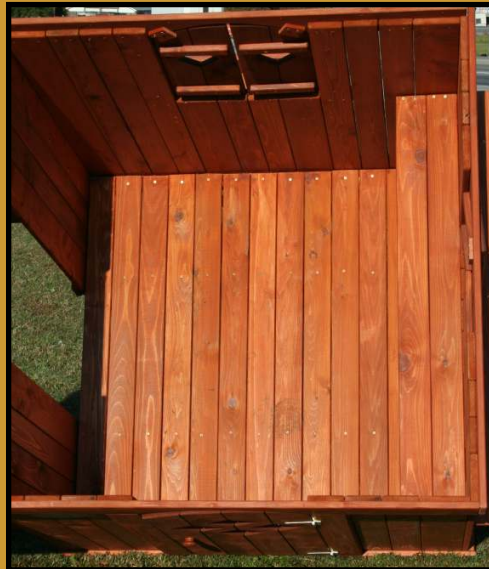
Woodridge Playhouse



**MODEL #6508-SF
FLOOR KIT**

Available at

samsclub.com



DETACH HERE AND MAIL

WARRANTY REGISTRATION CARD

Leisure Time Products, Inc.
P.O. Box 459
Siloam Springs, AR 72761

PLACE
POSTAGE
HERE

LEISURE TIME PRODUCTS, INC.
P.O. Box 459
Siloam Springs, AR 72761
1-800-765-4138 Toll Free
Office hours: 7am - 4pm, Mon-Fri, Central Time