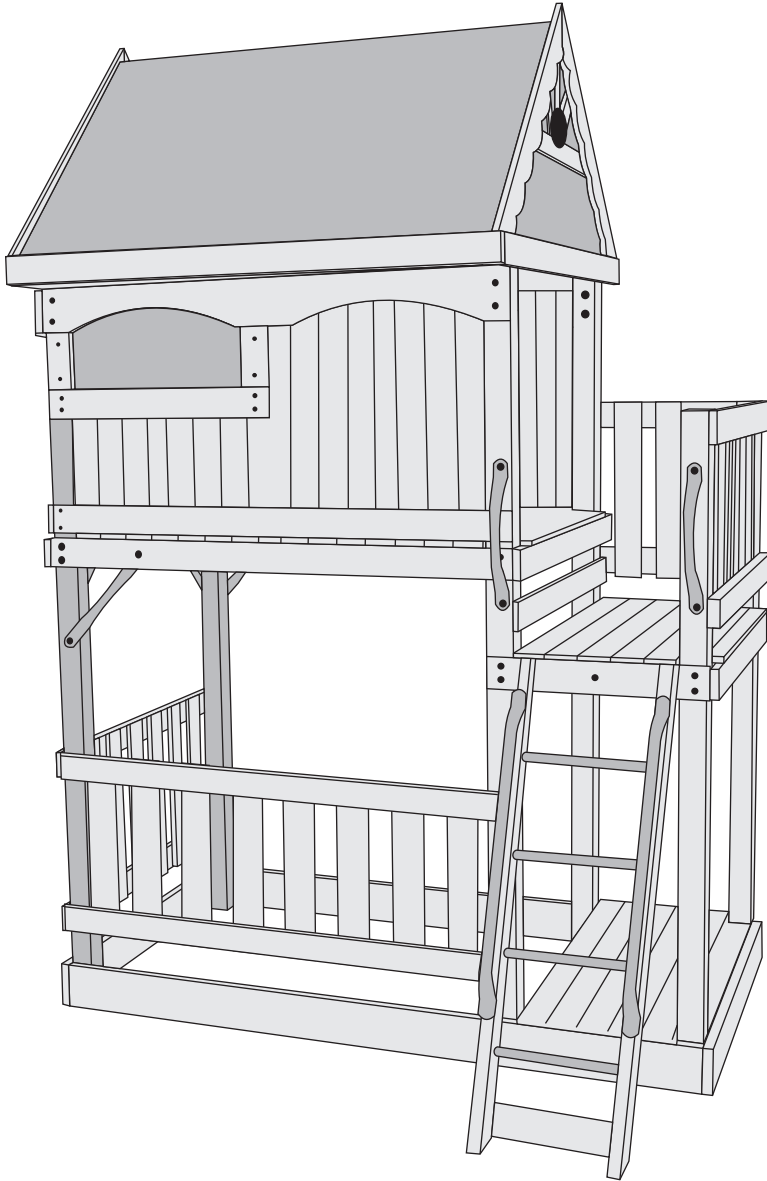


# Next Generation

MODEL #5007  
ASSEMBLY MANUAL



## YOUR WARRANTY

Leisure Time Products Inc, provides a 5-year pro-rate warranty. See inside back cover of this manual for details.

We take great care to design our products with your child's safety in mind. However, only with careful supervision and proper safety instructions, can you be assured of safe play time on any product designed for children.

**Assembly requires  
at least two adults.**

If you need assistance with parts or have assembly questions, please call Customer Service at

**866-362-1123**

Our regular office hours are  
Monday through Friday, 7:00 a.m. to 4:00 p.m. Central Time

Please read the entire instruction manual carefully before proceeding with the assembly or use of your new gym set. **SAVE THIS MANUAL** for future reference in the event that you need to contact us for assistance or replacement part information and ordering.

**LEISURE TIME PRODUCTS**

For Residential Only



# IMPORTANT TIPS FOR ASSEMBLY

Prior to assembling your play product, take a thorough inventory of all components using the parts list.

Sort and lay out all wood pieces, matching identical pieces into piles. Mark all pieces of wood using masking tape, write board letter on tape and adhere to each piece of wood for quick reference and identification.

Sort all hardware according to size. Refer to parts identification section. Selecting the wrong hardware during early assembly will lead to shortages. Finding extra hardware is not cause for alarm. We often include extra hardware in case parts are lost during assembly.

Selecting the correct location for your playset product is very important for your children's safety and for the play product's longevity. Your playset must be installed on level ground. Installation on sloping ground will cause your set to "lean" and, in time, this leaning will put stress on all the joints. This stress will cause the set to become loose and unstable. Once this occurs, it becomes difficult to correct, and Playground, Inc. cannot assume responsibility for any failure from incorrect installation. Uneven ground must be properly leveled before installation.

Warping: Occasionally, some wooden components may twist or warp in the carton after packaging. This is not necessarily a cause for alarm. In most instances, these parts straighten out when assembled. Seasonal checking or cracking of the grain on wooden parts is also quite natural. Water and heat are the two most frequent causes of expansion and contraction of wood fibers. **We recommend that you apply a wood sealant or protectant at the time of**

**installation and at least once per year. There are many excellent products, such as Thompson's Waterseal, Behr Wood Conditioner, Olympic Water Guard or Olympic Wood Protector. Please check with your local home improvement center to see what they recommend for your area conditions. Proper care and maintenance will help maintain the beauty of the set as well as gain the maximum life of the unit.**

**Metal plates:** The structural integrity of the play product is dependent upon the proper installation of the metal plates. As noted and diagramed in these assembly instructions, the installation of these metal plates must also be followed precisely. If your play set has end ladders or swing beam supports, make sure they are angled away from the top ladder or swing beam. If a play product has one or two climbing towers, the metal plates must be installed so that each climbing tower is perpendicular to the top ladder.

**Ground stakes:** Metal stakes are provided and are to be installed as outlined in the assembly manual. **Cementing is recommended and required if you have loose or sandy soil or if you live in an area that is prone to high winds or severe storms.**

On site adult supervision is required at all times for children of all ages.

**Ensure that suspended climbing ropes, chains or cables are kept tight enough so they cannot be looped back on themselves and are kept secure at both ends.**

**SEE PAGES 34 THRU 36 FOR MAINTENANCE TIPS**

# **SAFETY AND ASSEMBLY INFORMATION**

**FOR SAFETY'S SAKE,  
PLEASE TAKE TIME TO READ ALL INSTRUCTIONS COMPLETELY  
AND CAUTION YOUR CHILDREN ACCORDINGLY**

**Caution for Your Children. Observing the following statements and warnings reduces the likelihood of serious or fatal injury.**

- Instruct children not to attach items to the swing set that are not specifically designed for or made to use on the equipment (such as jump ropes, clotheslines, pet leashes, cables, or chains) as this could pose a strangulation hazard.
- Children should use equipment only in its intended manner.
- Children should sit in the center of the swings with their full weight on the seats. Only one child per swing.
- Children should NOT wear loose or stringed clothing or jewelry which can cause a potential danger of strangulation while using playground equipment.
- Children should NOT play on equipment in wet weather conditions due to potentially slippery surfaces.
- Children should NOT walk too closely in front of, behind, or between moving elements such as swings, trapezes and gliders.
- Children should NOT swing empty swing elements.
- Children should NOT jump off swings and/or trapeze while they are in motion. Nor should they jump from the upper decks – always use the ladders or slides.
- Children should NOT climb UP the slide because the slick surface could cause a fall and they should never slide down head first.
- Children should NOT twist swing chains or loop them over the top support beam because this will weaken and reduce the strength of the chain and possibly break them.
- Children should NOT climb on the top ladder when swing elements are in use.
- If your set has a Climbing Rope, the Climbing Rope must be attached securely at both ends in such a manor that it can not be looped back upon itself.

## **WARNING**

**Small components of your play center represent a choking hazard to children. Do not allow access to nuts, bolts, washers or other small parts. Tighten and inspect your play center frequently to avoid this danger.**

**Children must not use equipment until properly installed. Before using your play center, carefully read to any and all children who may use the play center the "safety rules" included in this booklet.**

**Play center modification is forbidden. Any modifications to your play center will affect its structural integrity and render the warranty null and void.**

**Caution! This play product will not be ready for a child's play until assembly procedures are complete, all hardware is tightened, all ground stakes are installed, and you, the responsible adult, are satisfied that the unit is secure and safe. At this time and always, review the "safety and general information - cautions for use" sections with each child using the play product.**

# SAFETY AND ASSEMBLY INFORMATION

## Tools and Materials Required:

Claw Type Hammer

Framing Square or Level

Box Wrench or Sockets (9/16" & 1/2")

Electric Drill or Cordless

Drill Bits: 3/16", 3/8" 5/16" & 7/16"(High Speed)

10 ft. Tape Measure

10 ft. Step Ladder

Screwdriver (Medium Phillips)

Beeswax or Soap

(Used to lubricate screw threads)

**HAVING THE PROPER TOOLS ON HAND WILL EASE AND  
REDUCE THE ASSEMBLY TIME OF YOUR NEW PLAYSET.**

## Assembly Safety:

- Keep the work area clean and clear of obstructions.
- Children should stay out of the work area until the safe play area is cleared of obstacles, the gym set has been completely assembled, all hardware has been tightened and checked and all tools have been picked up.
- Keep children off the gym set until it has been completely assembled.
- Some parts of the assembly process may require help from another competent adult.
- Do not stand on the platform until the gym set has been completely assembled. Use a step ladder if you can not reach high enough.
- Follow the manufacturers' safety recommendations for the tools and equipment you use.
- **Avoid assembling your gym set in poor weather conditions.**
- **Wear proper clothing and safety equipment (safety glasses, boots and gloves) while assembling your gym set.**

**YOUR PLAYGROUND, INC READY-TO-ASSEMBLE PLAYSET IS STAINED AT  
OUR FACTORY. STAINING IS NOT NEEDED AT THE TIME OF INITIAL ASSEMBLY.**

**THE WOODEN PARTS FOR YOUR PLAYSET ARE MADE FROM  
CYPRESS AND OTHER UNTREATED NATURALLY DECAY RESISTANT LUMBER,  
WITH THE FOLLOWING, POSSIBLE EXCEPTIONS:**

## **POLYETHYLENE ENCASED POSTS:**

*Some lumber inside the polyethylene encased posts MAYBE  
subject to the following treatment*

Supplier: Pacific Wood Preserving  
22125 Rock Creek Rd.  
Sheridan, OR 97378

Preservative: Pacbor Treated (Disodium  
Octaborate Tetrahydrate)

Retention level: .118 pcf

Wood species: Pine, White Fir, Hem Fir,  
and/or Doug Fir

# SAFETY AND ASSEMBLY INFORMATION

SELECTING THE CORRECT LOCATION FOR YOUR PLAY PRODUCT IS IMPORTANT FOR YOUR CHILDREN'S SAFETY AND THE PRODUCT'S LONGEVITY

## Dimensions:

- The Next Generation has One layout option.

Layout	Ground Dimension	Safe Play Area*
	6'81/2"x5'10"	17'-10"x18'-9"

\*Level Ground Surface - See below

- Additional accessories may increase the size of the Safe Play Area.
- Max fall height 90"

## General Information:

Your set has been designed and engineered for children only and for residential use only.

A maximum of 150 lbs. per child is recommended for play activities designed for individual use.

A maximum of 120 lbs. per child is recommended for play activities designed for multiple child use.

A maximum of 9 children is recommended for this unit.

## Safe Play Area:

- The safe play area refers to a zone extending 6' beyond the gym set on all sides, including the space above the gym set.
- The ground surface must be level. Installing your gym set on sloping ground can cause it to lean or "rack". This leaning puts additional stress on all connections and joints and in time will cause those connections to loosen and fail.
- The safe play area must be free of all structures, landscaping, trees and branches, rocks, wires, and other obstacles to safe play. Children can be seriously injured running or swinging into these obstacles.
- Remove all tripping hazards from the safe play area. Tripping hazards include: roots, stumps, rocks, landscaping, sprinkler heads, railroad ties, plumbing and electrical connections.
- Do not install your gym set over concrete, gravel, asphalt, packed earth or any other hard surface. The following is a list of recommended ground covers from the Consumer Product Safety Commission.

### RECOMMENDED GROUND COVERS

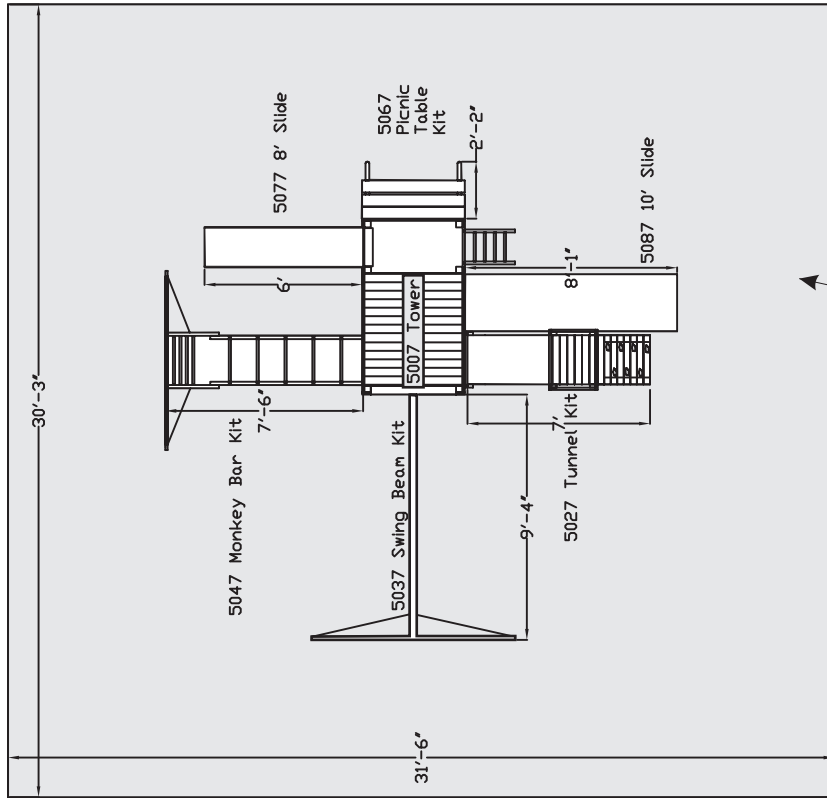
<u>Suggested Material</u>	<u>.....Uncompressed Depth</u>
Double Shredded Bark Mulch	.....9"
Uniform Wood Chips	.....12"
Fine Gravel	.....12"
Fine Sand	.....12"

## A FALL ON TO A HARD SURFACE COULD RESULT IN SERIOUS INJURY

Any edging used to contain the ground must be beyond the safe play area.

(Ex. Landscape timbers or railroad ties)

**Back**



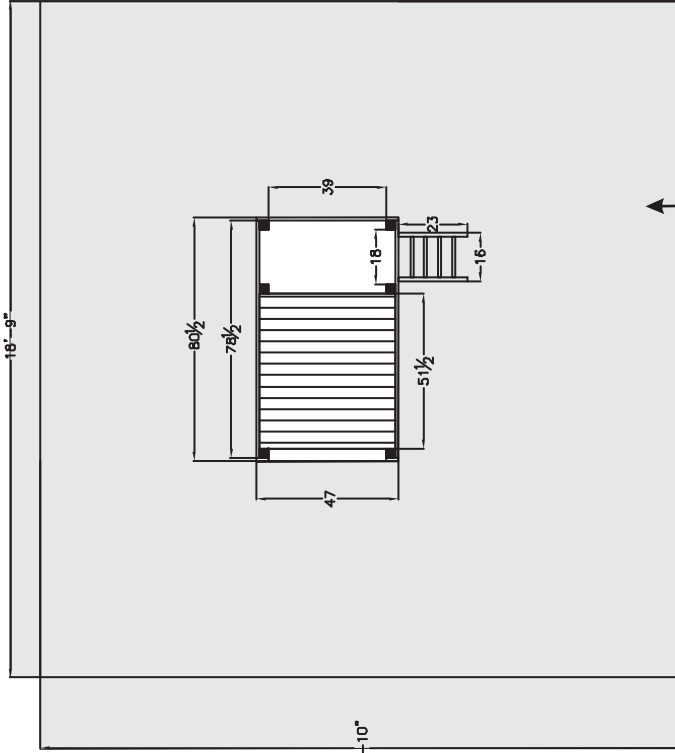
**Left**

Landscape Timbers  
6' from play structure

Sale play area using  
recommended ground cover

**Front**

**Right**



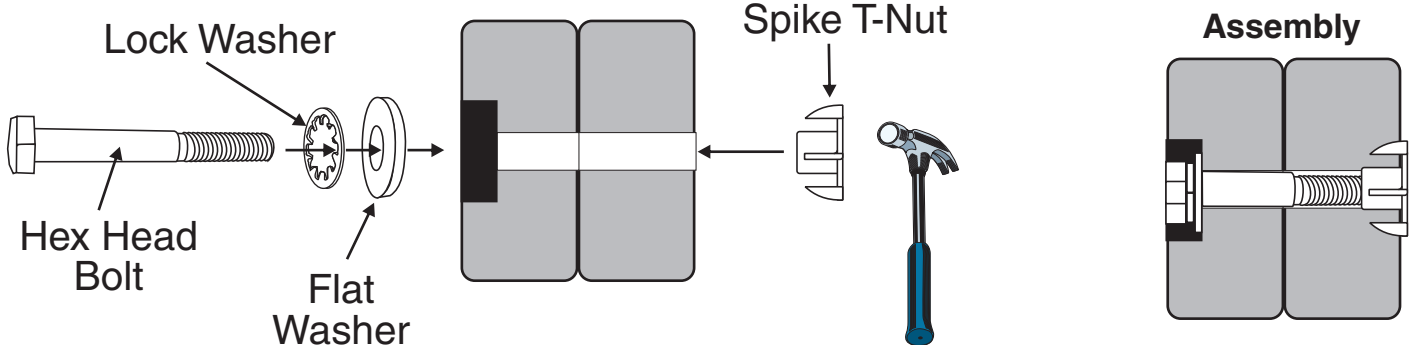
Landscape Timbers  
6' from play structure

Sale play area using  
recommended ground cover

# USING THE HARDWARE

PLAYGROUND, INC. GYM SETS USE A FEW STANDARD CONNECTIONS. BECOMING FAMILIAR WITH THESE CONNECTIONS WILL SIMPLIFY ASSEMBLY AND INSURE A SAFER PLAY PRODUCT FOR YOUR CHILDREN.

## How to use Hex Head Bolts and Spike T-Nuts

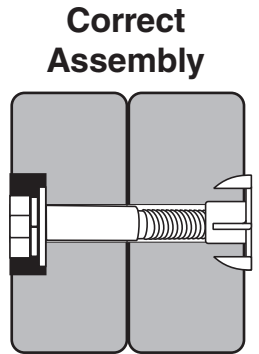


Check the positioning of parts in each Step's illustration, noting which of the parts should receive the Spike T-Nut. Place the Spike T-Nut in the hole and then seat it with one or two taps of a hammer. Align the holes in the parts to be fastened. Start preliminary tightening of bolt into seated nut by hand.

To **securely tighten**, turn the bolt with a wrench until the lock washer is fully compressed between the head of the bolt and the flat washer.

Note that in some steps the instructions say to tighten "**just snug**." This means to tighten the bolt just enough to keep the parts together, but loose enough to allow the parts to move. This is necessary to allow squaring and leveling. The bolt will be tightened securely in a following step. All bolts and screws must be tightened securely before the playset is ready for use.

**TIP:** Tap the Spike T-Nut into the part before you position the part on the structure. If you put it in the wrong hole, remove it by inserting a bolt from the opposite side of the board and tapping the bolt lightly with a hammer.



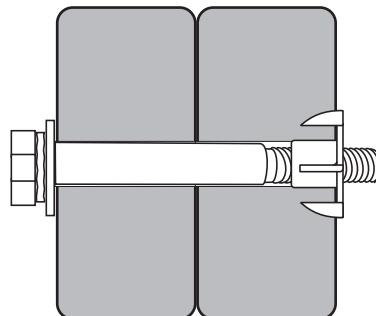
**Correct Assembly**  
Bolt has been screwed securely into Spike T-Nut and the connection is tight.

Check connections periodically for tightness during the life of the Gym set.

**Do not over tighten.**

## Incorrect Assembly

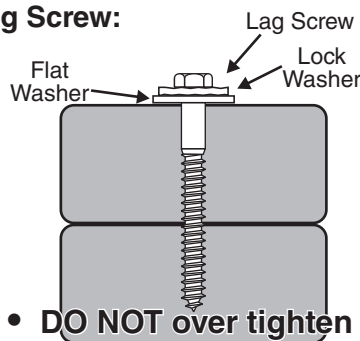
During assembly or maintenance, do not over tighten the bolts. Over tightening can cause the bolt to protrude past the spiked tee nut, which could cause personal injury. Over tightening can also cause the wood to be compressed or to "sink in" the bolt, washer or spiked tee nut. If this has happened, you may need to add additional washers or replace the bolt with a shorter one, so that the bolt does not protrude.



Failure to replace this bolt with a shorter one could result in personal injury.

## Typical Installation -Lag Screw:

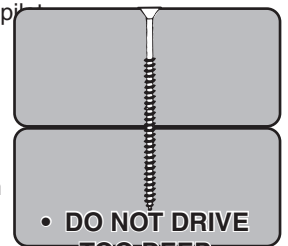
- Always drill pilot holes when using Lag Screws. The size of the pilot hole will be specified in the Step.
- Tap the head of the Lag Screw with a hammer to start the threads into the wood and then use a 1/2" socket to tighten.



• **DO NOT over tighten**

## Typical Installation -Wood Screw:

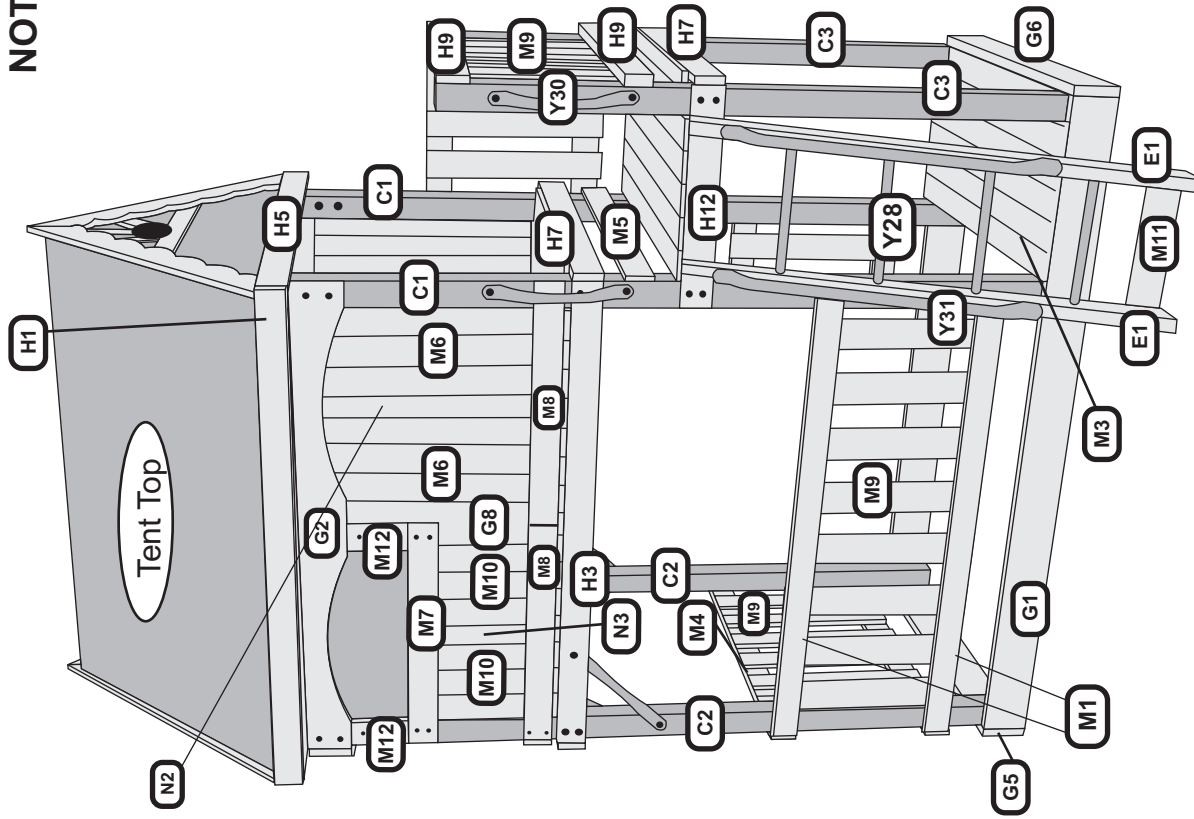
- Use an electric drill or screw gun to drive screws.
- These screws are self-tapping, so no pilot holes are required.
- Lubricate the threads of the screws with beeswax or soap to ease installation and minimize breaking screws.
- It is very important to make certain that the tops of all screws are flush with the surface of the wood and there are no protruding sharp edges.



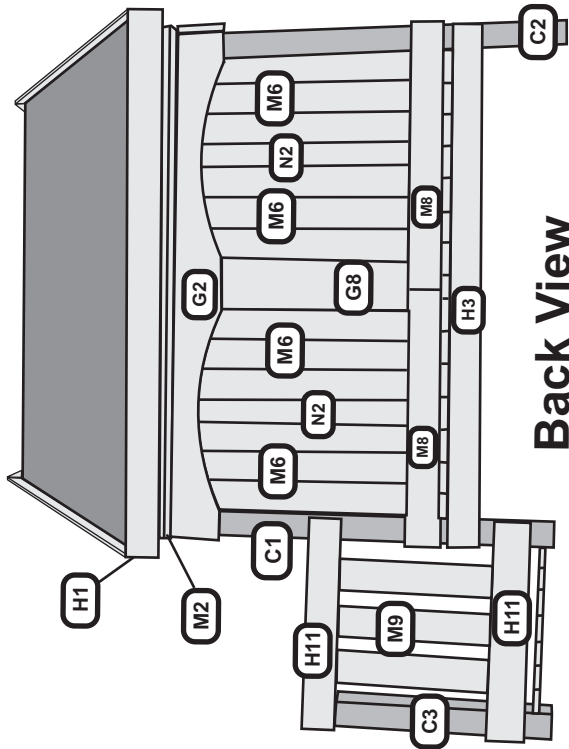
• **DO NOT DRIVE TOO DEEP AND CAUSE SPLINTERING**

NOT SHOWN

H6  
H13  
H8  
G3  
H7  
H14  
L1  
G4  
L2



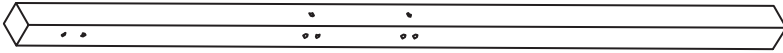
Front View



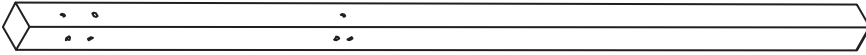
Back View

# Lowe's 5007 Tower C1 - H9

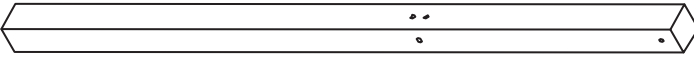
C1 - TOWER LEG 2 REQUIRED



C2 - TOWER LEG 2 REQUIRED



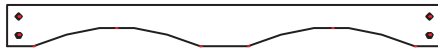
C3 - TOWER LEG 2 REQUIRED



E1 Entry Ladder Rail \* 4 Holes \* 1 Set Left & Right Req  
1-3/8 x 3-3/8 x 52 [ 3.49 x 8.57 x 132.08 ]



G2 Arched Wall Rail \* 4 Holes \* 2 Req  
1 x 5-1/2 x 57-1/2 [ 2.54 x 13.97 x 146.05 ]



G5 Base Board \* 6 Holes \* 1 Req  
1 x 5-1/2 x 47 [ 2.54 x 13.97 x 119.38 ]



G7 Base Board \* 6 Holes \* 1 Req  
1 x 5-1/2 x 45 [ 2.54 x 13.97 x 114.30 ]



G9 Floor Joist \* No Holes \* 1 Req (W100048)  
1 x 5-1/2 x 20 [ 24 x 140 x 508 ]



H3 Floor Rail \* 5 Holes \* 2 Req  
1 x 3-1/2 x 57-1/2 [ 2.54 x 8.89 x 146.05 ]



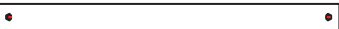
H5 Roof Support \* 4 Holes \* 2 Req  
1 x 3-1/2 x 57 [ 2.54 x 8.89 x 144.78 ]



H7 Floor Rail \* 4 Holes \* 2 Req  
1 x 3-1/2 x 47 [ 2.54 x 8.89 x 119.38 ]



H9 Wall Rail \* 2 Holes \* 2 Req  
1 x 3-1/2 x 45 [ 2.54 x 8.89 x 114.30 ]



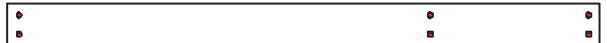
H11 Wall Rail \* 4 Holes \* 2 Req  
1 x 3-1/2 x 25 [ 2.54 x 8.89 x 63.50 ]



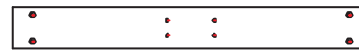
H13 Floor Rail \* 5 Holes \* 1 Req  
1 x 3-1/2 x 24 [ 2.54 x 8.89 x 60.96 ]



G1 Base Board \* 6 Holes \* 2 Req  
1 x 5-1/2 x 78-1/2 [ 2.54 x 13.97 x 199.39 ]



G4 Club House Wall Rail \* 8 Holes \* 1 Req  
1 x 5-1/2 x 47 [ 2.54 x 13.97 x 119.38 ]



G6 Base Board \* 4 Holes \* 1 Req  
1 x 5-1/2 x 47 [ 2.54 x 13.97 x 119.38 ]



G8 Club House Wall Support \* 5 Holes \* 2 Req  
1 x 5-1/2 x 29 [ 2.54 x 13.97 x 73.66 ]



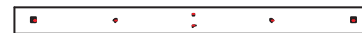
H1 Roof Support \* 4 Holes \* 2 Req  
1 x 3-1/2 x 59-1/2 [ 2.54 x 8.89 x 151.13 ]



H4 Floor Joist \* No Holes \* 1 Req  
1 x 3-1/2 x 57-1/2 [ 2.54 x 8.89 x 146.05 ]



H6 Floor Rail \* 6 Holes \* 1 Req  
1 x 3-1/2 x 47 [ 2.54 x 8.89 x 119.38 ]



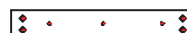
H8 Floor Rail \* 4 Holes \* 1 Req  
1 x 3-1/2 x 45 [ 2.54 x 8.89 x 114.30 ]



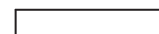
H10 Upright \* 2 Holes \* 2 Req  
1 x 3-1/2 x 29-1/2 [ 2.54 x 8.89 x 74.93 ]



H12 Floor Rail \* 7 Holes \* 1 Req  
1 x 3-1/2 x 24 [ 2.54 x 8.89 x 60.96 ]



H14 Floor Joist \* No Holes \* 1 Req  
1 x 3-1/2 x 20 [ 2.54 x 8.89 x 50.80 ]



# Lowe's 5007 Tower H10 - N3

J1 Tent Support \* 4 Holes \* 1 Req (W100041)  
1 x 2-3/8 x 57-5/8 [24 x 60 x 1464]



L2 Club House Wall Board \* 4 Holes \* 1 Req  
11/16 x 4-1/2 x 29 [ 1.74 x 11.43 x 73.66 ]



L3R Right Roof Rail \* 6 Hole \* 2 Req (W100457)  
11/16 x 4-3/8 x 41-5/8 [16 x 110 x 1058]



M2 Roof Spacer \* 3 Holes \* 2 Req  
11/16 x 3-3/8 x 57-1/2 [ 1.74 x 8.57 x 146.05 ]



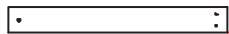
M4 Wall Rail \* 4 Holes \* 2 Req  
11/16 x 3-3/8 x 45-3/4 [ 1.74 x 8.57 x 116.21 ]



M6 Club House Wall Board \* 4 Holes \* 28 Req  
11/16 x 3-3/8 x 29 [ 1.74 x 8.57 x 73.66 ]



M8 Club House Rail \* 3 Holes \* 4 Req  
11/16 x 3-3/8 x 28-3/4 [ 1.74 x 8.57 x 73.03 ]



M10 Club House Wall Board \* 4 Holes \* 6 Req  
11/16 x 3-3/8 x 16 [ 1.74 x 8.57 x 40.64 ]



M12 Window Trim \* 2 Holes \* 2 Req  
11/16 x 3-3/8 x 6-3/4 [ 1.74 x 8.57 x 17.15 ]



N2 Club House Wall Board \* 2 Holes \* 3 Req  
11/16 x 2-1/2 x 29 [ 1.74 x 6.35 x 73.66 ]



N4 Cross Brace \* 4 Holes \* 2 Req (W100043)  
11/16 x 2-3/8 x 30-7/8 [16 x 60 x 784]



N6 Starburst \* 2 Holes \* 4 Req (W100045)  
11/16 x 2-3/8 x 7-1/4 [16 x 60 x 184]



O1 Tent Cleat \* 4 Holes \* 4 Req (W100047)  
11/16 x 1-1/2 x 36-5/8 [16 x 38 x 930]



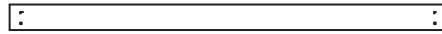
L1 Floor Board \* 4 Holes \* 4 Req  
11/16 x 4-1/2 x 39 [ 1.74 x 11.43 x 99.06 ]



L3L Left Roof Rail \* 6 Hole \* 2 Req (W100042)  
11/16 x 4-3/8 x 41-5/8 [16 x 110 x 1058]



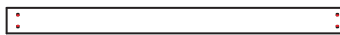
M1 Wall Rail \* 4 Holes \* 2 Req  
11/16 x 3-3/8 x 57-1/2 [ 1.74 x 8.57 x 146.05 ]



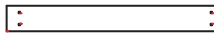
M3 Floor Board \* 5 Holes \* 24 Req  
11/16 x 3-3/8 x 47 [ 1.74 x 8.57 x 119.38 ]



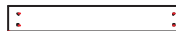
M5 Club House Rail \* 4 Holes \* 2 Req  
11/16 x 3-3/8 x 45 [ 1.74 x 8.57 x 114.30 ]



M7 Window Trim \* 4 Holes \* 1 Req  
11/16 x 3-3/8 x 28-3/4 [ 1.74 x 8.57 x 73.03 ]



M9 Wall Board \* 4 Holes \* 23 Req  
11/16 x 3-3/8 x 23 [ 1.74 x 8.57 x 58.42 ]



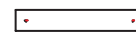
M11 Entry Ladder Support \* 4 Holes \* 1 Req  
11/16 x 3-3/8 x 16 [ 1.74 x 8.57 x 40.64 ]



N1 Floor Board \* 5 Holes \* 1 Req  
11/16 x 2-1/2 x 47 [ 1.74 x 6.35 x 119.38 ]



N3 Club House Wall Board \* 2 Holes \* 1 Req  
11/16 x 2-1/2 x 16 [ 1.74 x 6.35 x 40.64 ]



N5 Starburst \* 2 Holes \* 2 Req (W100044)  
11/16 x 2-3/8 x 13 [16 x 60 x 332]

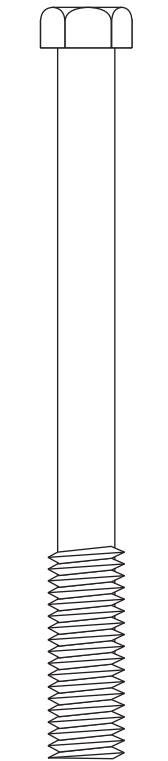


SC1 Tent Cleat \* 5 Holes \* 2 Req (W100046)  
11/16 x 2 x 57-3/8 [16 x 50 x 1456]

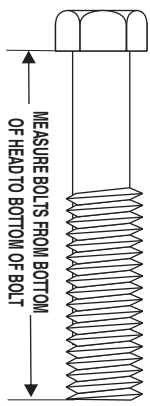


O2 Roof Cleat \* 3 Holes \* 4 Req (W100371)  
11/16 x 1-1/2 x 4-1/4 [16 x 38 x 108]

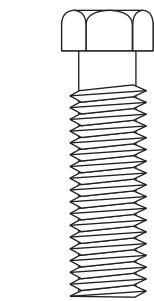




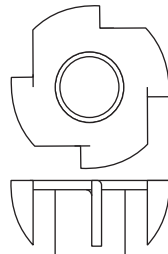
**Z5-3.75HB**  
5/16 X 3-3/4"  
HEX  
HEAD  
BOLT



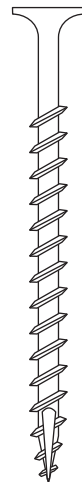
**Z5-1.75HB**  
5/16 X 1 3/4"  
HEX  
HEAD  
BOLT



**Z5-1.25HB**  
5/16 X 1-1/4"  
HEX HEAD  
BOLT

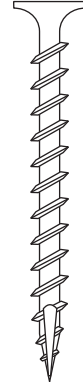


**Z5-.625STN**  
5/16"  
SPIKE TEE  
NUT

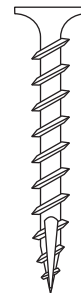


**Z8-2.5WS**  
#8 X 2-1/2"  
WOOD  
SCREW

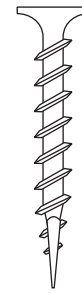
**Z8-2WS**  
#8 X 2"  
WOOD  
SCREW



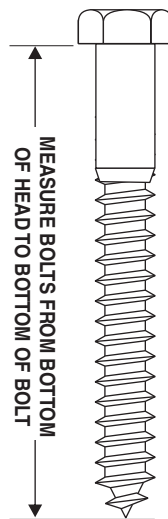
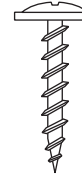
**Z8-1.5WS**  
#8 X 1-1/2"  
WOOD  
SCREW



**Z8-1.25WS**  
#8 X 1-1/4"  
WOOD  
SCREW



**Z8-.75WS**  
#8 X 3/4"  
WASHER  
HEAD  
SCREW

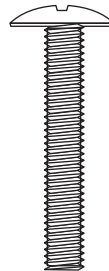


**Z5-2.5LS**  
5/16 X 2-1/2"  
LAG  
SCREW

DRAWINGS ARE TO SCALE BUT  
SMALL VARIATIONS ARE NORMAL.

<b>Z5-3.5HB</b>		
16 ths	Size	Type

**Z4-1.25 PTH**  
1/4 X 1 1/4"  
PHILLIPS  
TRUSS  
HEAD  
BOLT



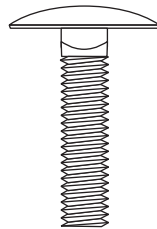
**Z4-1PTH**  
1/4 X 1"  
PHILLIPS  
TRUSS  
HEAD  
BOLT



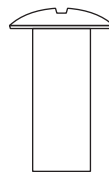
**Z4-.75PTH**  
1/4 X 3/4"  
PHILLIPS  
TRUSS  
HEAD  
BOLT



- 3 - Z4-1SB STEP BOLT
- 3 - Z4-.75 PBN BARREL NUT



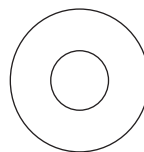
**Z4-1SB**  
1/4 X 1"  
STEP BOLT



**Z4-.75PBN**  
1/4"  
BARREL NUT

- 3 - Z5-.625 ITLW LOCK WASHER
- 3 - Z5-.75 FW FLAT WASHER

**NOTE:** Hardware Has Been Included To  
Attach A Slide Which Is Purchased Separately.  
Please Save This Hardware For Future Use

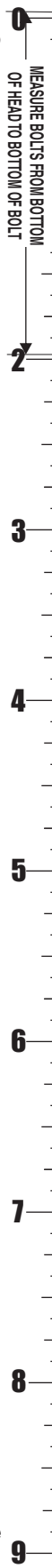


**Z5-.75FW**  
5/16" FLAT WASHER



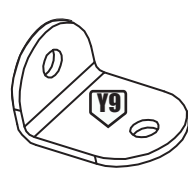
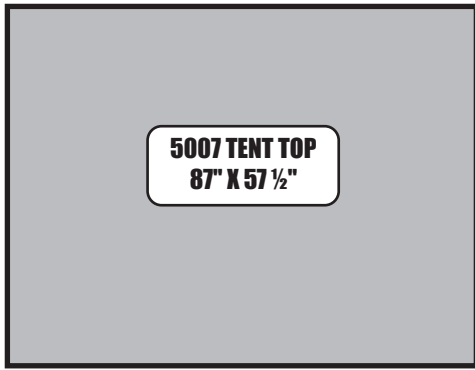
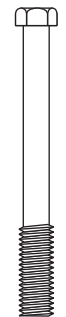
**Z5-.625ITLW**  
5/16" INTERNAL TOOTH  
LOCK WASHER

This hardware package was designed to work with many of our playsets so you will find extras of some of the parts. We suggest that you count out the proper numbers according to the list on Page 11 and take special care to note the sizes given in each step. See page 6 for proper installation instructions.

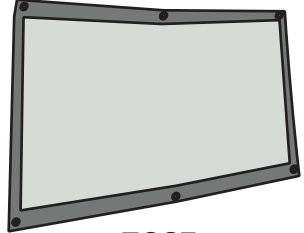


**NOTE: QUANTITIES INCLUDE EXTRA HARDWARE**

PART #	DESCRIPTION	TOTAL	BAG #
Z5-3.75HB.	5/16-18 x 3 3/4" Hex Head Bolt.	40.	1
Z5-1.75HB.	5/16-18 x 1 3/4" Hex Head Bolt.	4.	1
Z5-1.25HB.	5/16-18 x 1 1/4" Hex Head Bolt.	6.	1
Z4-1.25PTH	1/4-20 x 1 1/4" Phillips Truss Head Bolt	4.	2
Z4-1PTH	1/4-20 x 1" Phillips Truss Head Bolt.	4.	2
Z4-.75PTH	1/4-20 x 3/4" Phillips Truss Head Bolt.	4.	2
Z4-1SB	7/8" Head Diameter - 1/4-20 x 1" Step Bolt	3.	2
Z8-.75WHS.	#8 x 3/4" Modified Truss Washer Head Screw	15.	2
Z4-.75PBN	1/4-20 x 3/4" LONG - Phillips Barrel Nut.	17.	2
Z5-2.5LS.	5/16 x 2 1/2" Lag Screw	60.	3
Z8-2.5WS.	#8 x 2 1/2" Phillips Type 17 w/nibs Wood Screw	28.	4
Z8-2WS	#8 x 2" Phillips Type 17 w/nibs Wood Screw	237.	5
Z8-1.5WS.	#8 x 1 1/2" Phillips Type 17 w/nibs Wood Screw	116.	6
Z8-1.25WS.	#8 x 1 1/4" Phillips Type 17 w/nibs Wood Screw	160.	7
Z5-.625STN	5/16-18 x 5/8" LONG - Spiked Tee Nut	58.	8
Z5-.75FW	5/16 SAE Flat Washer - 11/16"OD x 11/32" ID	132.	9
Z5-.625ITLW	5/16 Internal Tooth Lock Washer - 19/32" OD	130.	10



**2" x 1" METAL BRACKET  
2 REQUIRED**



**5007  
GREEN MESH WINDOW  
1 13x23**



**16 1/2"  
METAL GRIP  
2 REQUIRED**



**METAL DECK BRACE  
6 REQUIRED**



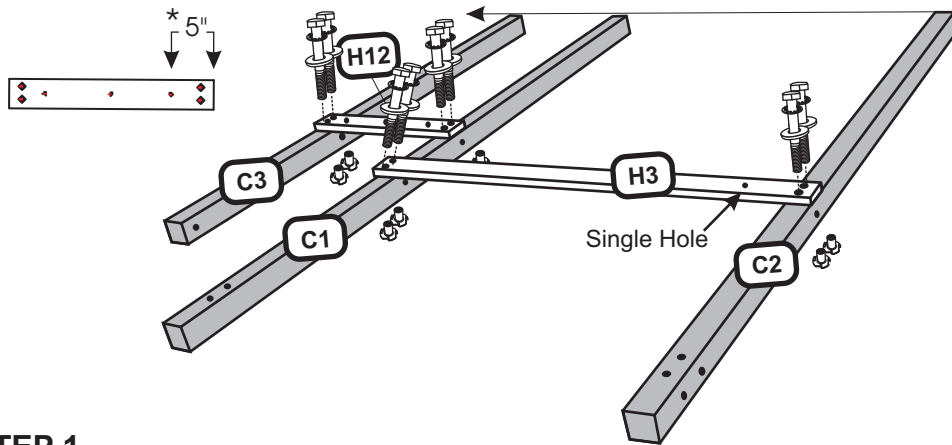
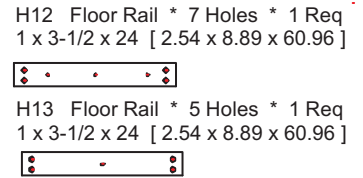
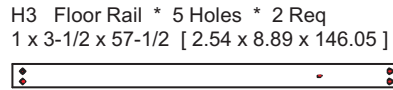
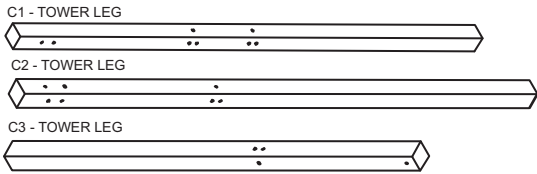
**Plastic Cap  
6 Required**



**35"  
METAL GRIP  
2 REQUIRED**

**ADDITIONAL ITEMS**

- 1 - METAL ID PLAQUE
- 1 - ASSEMBLY MANUAL
- 4 - Y28 15 1/4" METAL DOWELS
- 4 - GROUND STAKES
- 1 - POUNDING BLOCK

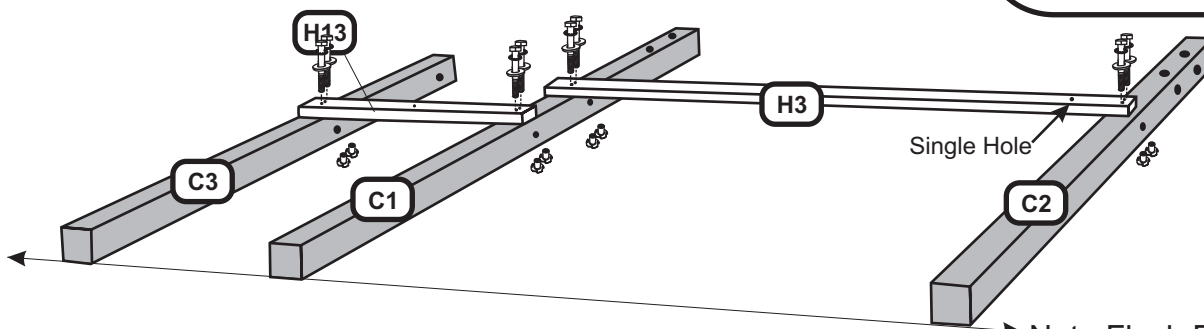
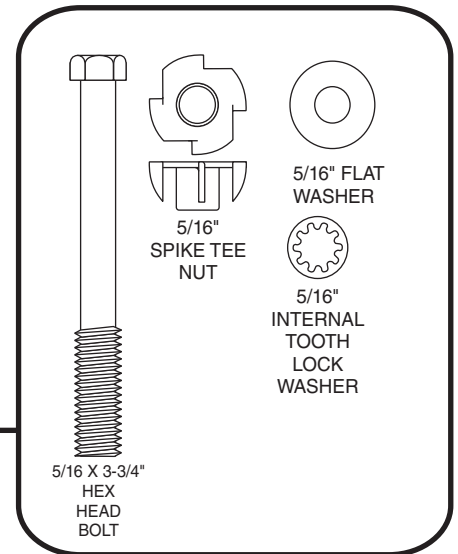


**STEP 2**

Install H12 Floor Rail, seven-hole, to C1 and C3 Posts using 5/16 x 3-3/4" Hex Bolts, Internal Tooth Lock Washers and Flat Washers. Note: center hole at 5" towards C1 Post \*

**STEP 1**

Start by laying C2, C1 and C3 Posts flat on ground. Install 5/16" Spike T-Nuts in the double holes that are towards the bottom of posts. Then flip posts over so that the T-Nuts are towards the ground. Then place H3 Floor Rail, five-hole board, on C2 and C1 Post. Note: The single hole in the H3 Rail is towards C2, and then attach using 5/16x3-3/4"HEX BOLTS, Internal Tooth Lock Washers and Flat Washers.



**STEP 3**

Lay opposite Posts C2, C1 and C3 as before in Step 1 and Step 2, and place 5/16" Spike T-Nuts in posts and attach H3, again noting single hole toward C2 Post, using 5/16 x 3-3/4" Hex Bolt, Internal Tooth Lock Washers and Flat Washers

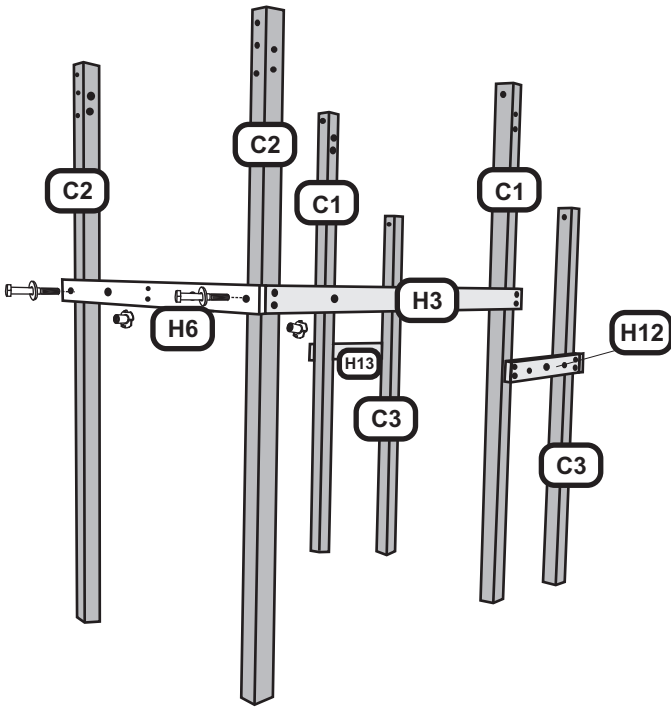
**STEP 4**

Attach H13 Floor Rail, five-hole, to C1 and C3 Posts using 5/16 x 3-3/4" Hex Bolts, Internal Tooth Lock Washers, Flat Washers and Spike T Nut.

H6 Floor Rail \* 6 Holes \* 1 Req  
 1 x 3-1/2 x 47 [ 2.54 x 8.89 x 119.38 ]

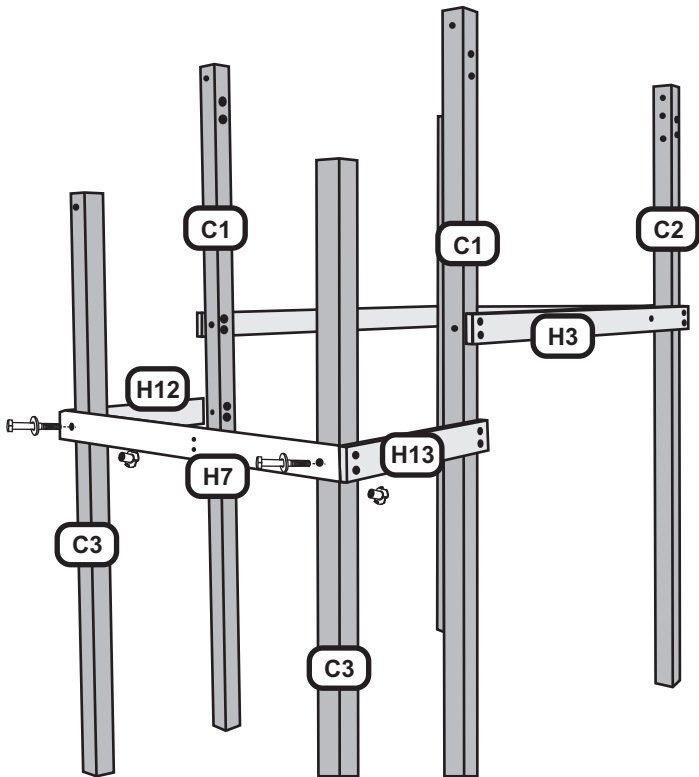
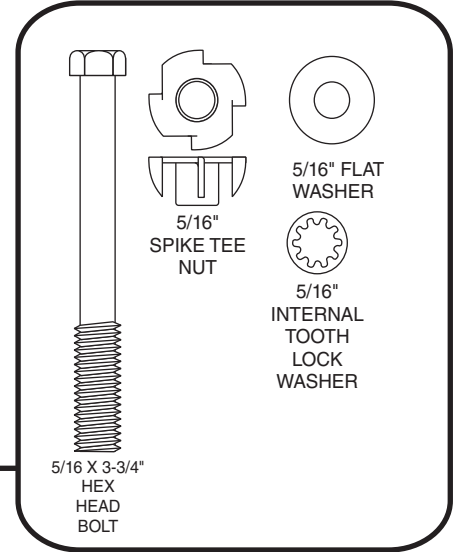


H7 Floor Rail \* 4 Holes \* 2 Req  
 1 x 3-1/2 x 47 [ 2.54 x 8.89 x 119.38 ]



**STEP 5**

This step will take two people. Stand up front and back assemblies. Attach Left Floor Rail H6 to C2 Post using 5/16"x3-3/4" Hex Bolts, Internal Tooth Lock Washers, Flat Washers and Spike T Nut.



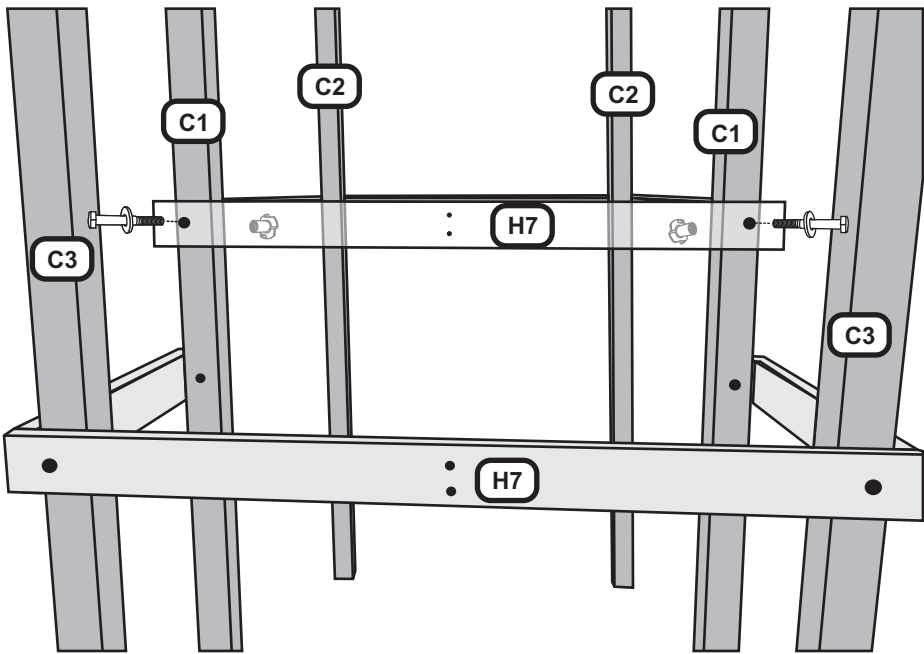
**STEP 6**

Attach Right Floor Rail H7 to C3 Post using 5/16 x 3-3/4" Hex Bolts, Internal Tooth Lock Washers, Flat Washers and Spike T Nut.

H7 Floor Rail \* 4 Holes \* 2 Req  
 1 x 3-1/2 x 47 [ 2.54 x 8.89 x 119.38 ]

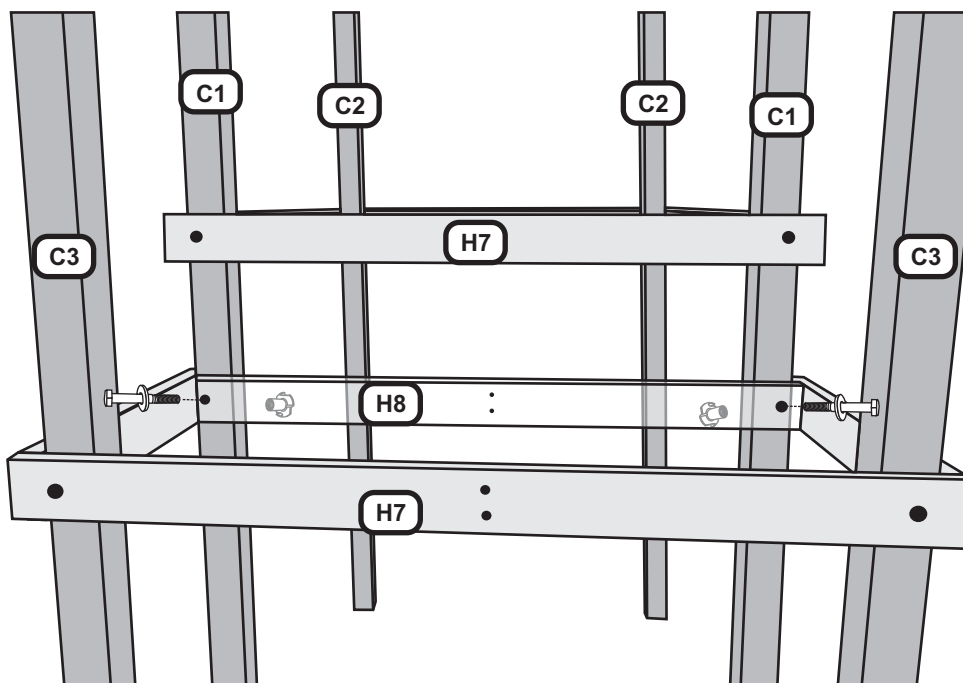
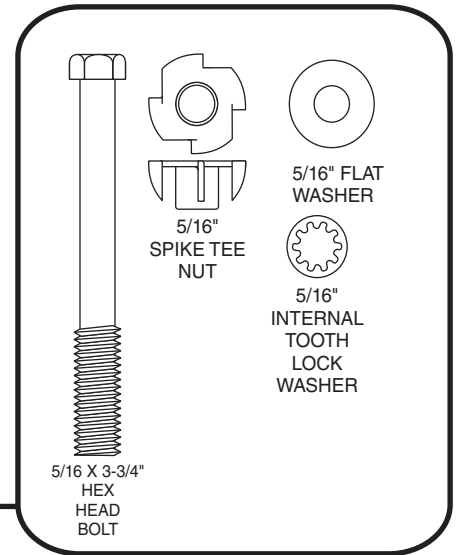


H8 Floor Rail \* 4 Holes \* 1 Req  
 1 x 3-1/2 x 45 [ 2.54 x 8.89 x 114.30 ]



### STEP 7

Attach another H7 Floor Rail to C1 Post using 5/16 x 3-3/4" Hex Bolts, Internal Tooth Lock Washers, Flat Washers and Spike T Nut.



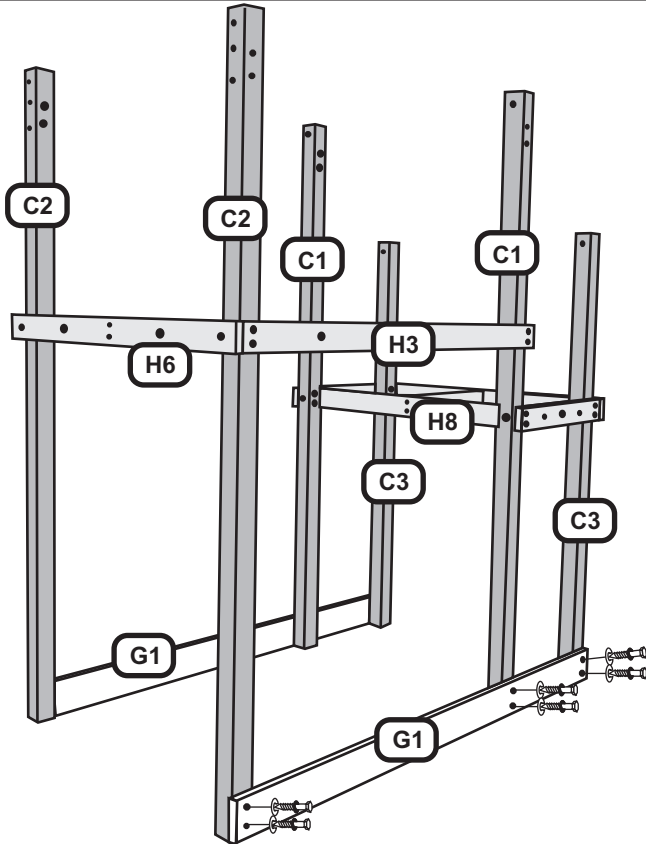
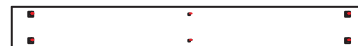
### STEP 8

Attach H8 Floor Rail, four-hole, to C1 Post using 5/16 x 3-3/4" Hex Bolts, Internal Tooth Lock Washers, Flat Washers and Spike T Nut.

G1 Base Board \* 6 Holes \* 2 Req  
 1 x 5-1/2 x 78-1/2 [ 2.54 x 13.97 x 199.39 ]

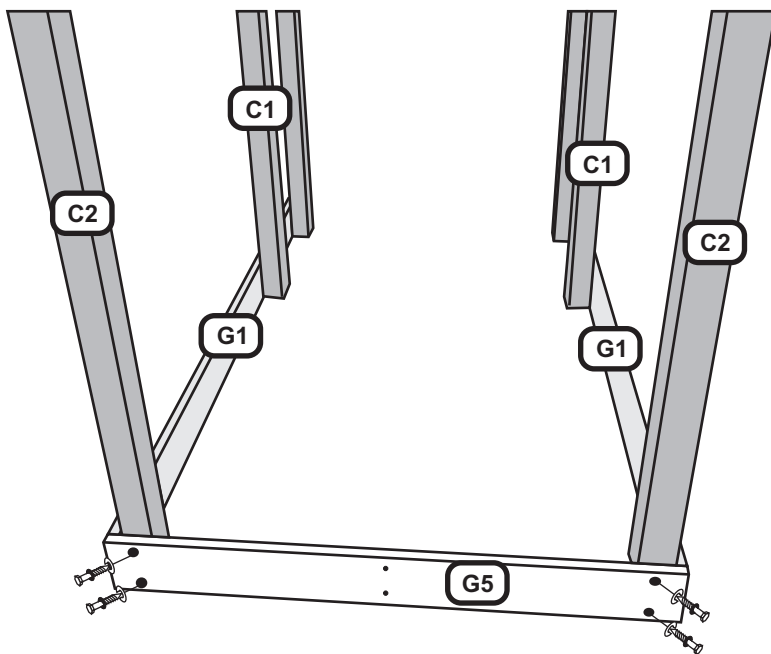
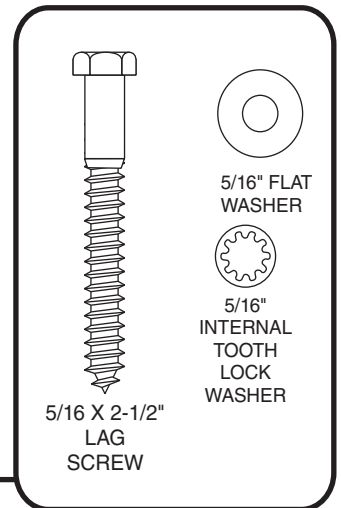


G5 Base Board \* 6 Holes \* 1 Req  
 1 x 5-1/2 x 47 [ 2.54 x 13.97 x 119.38 ]



**STEP 9**

Attach G1 Front and Back Baseboards, placing flush with outside of C2 and C3 Posts, pilot drill with 3/16" bit using holes in G1 as guide and attach using 5/16x2-1/2" Lag Screws, Internal Tooth Lock Washers and Flat Washers. Center C1 post straight up and down and finish attaching G1 using 2 1/2" lag screws, lock washers and flat washers.



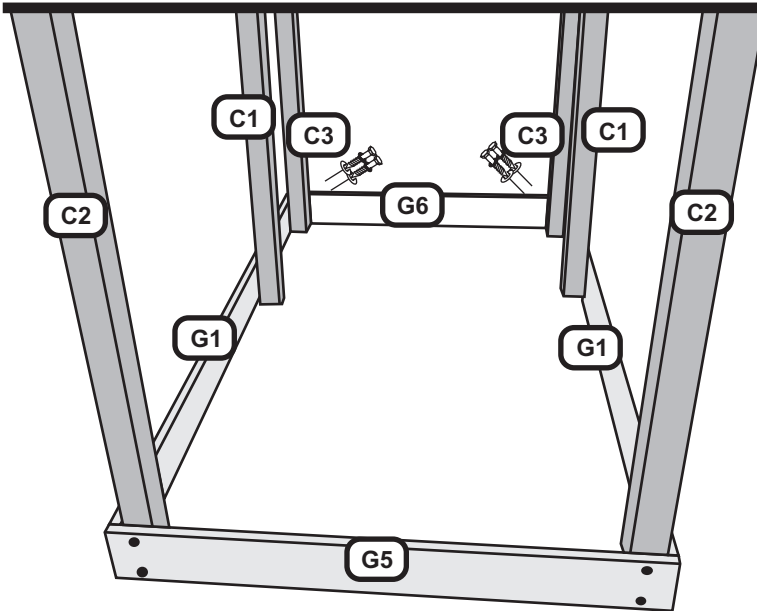
**STEP 10**

Attach G5 Left Baseboard to C2 Post, flushing with outside of G1 Baseboards, pilot drill with 3/16" bit using holes in G5 as guide and attach using 5/16x2-1/2" Lag Screws, Internal Tooth Lock Washers and Flat Washers.

G6 Base Board \* 4 Holes \* 1 Req  
 1 x 5-1/2 x 47 [ 2.54 x 13.97 x 119.38 ]

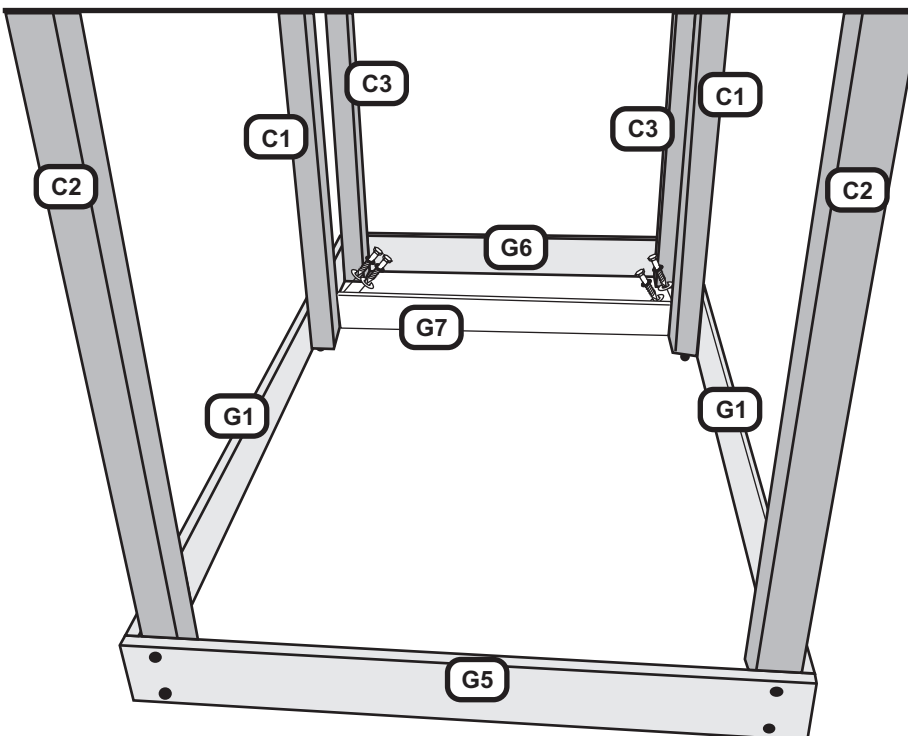
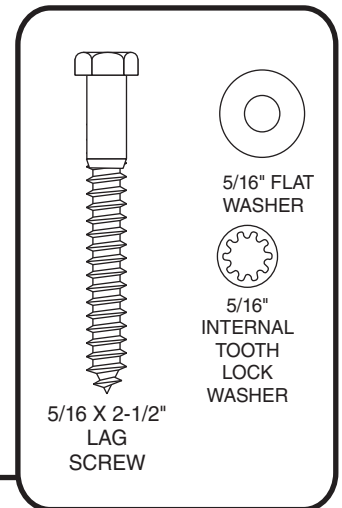


G7 Base Board \* 6 Holes \* 1 Req  
 1 x 5-1/2 x 45 [ 2.54 x 13.97 x 114.30 ]



**STEP 11**

Attach G6 Right Baseboard on C3 Post, flushing with G1 Baseboard, pilot drill with 3/16" bit using holes in G6 as a guide. Attach using 2-1/2" Lag Screws, Internal Tooth Lock Washers and Flat Washers.



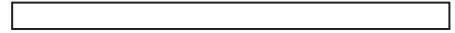
**STEP 12**

Attach G7 Center Baseboard, 6-hole, on Left side of C1 Post, pilot drill with 3/16" bit using holes in G7 as a guide. Attach using 2-1/2" Lag Screws, Internal Tooth Lock Washers and Flat Washers.

G9 Floor Joist \* No Holes \* 1 Req (W100048)  
1 x 5-1/2 x 20 [24 x 140 x 508]



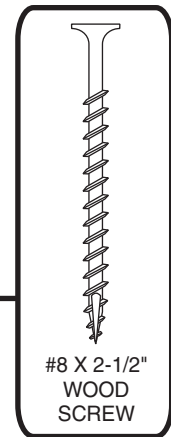
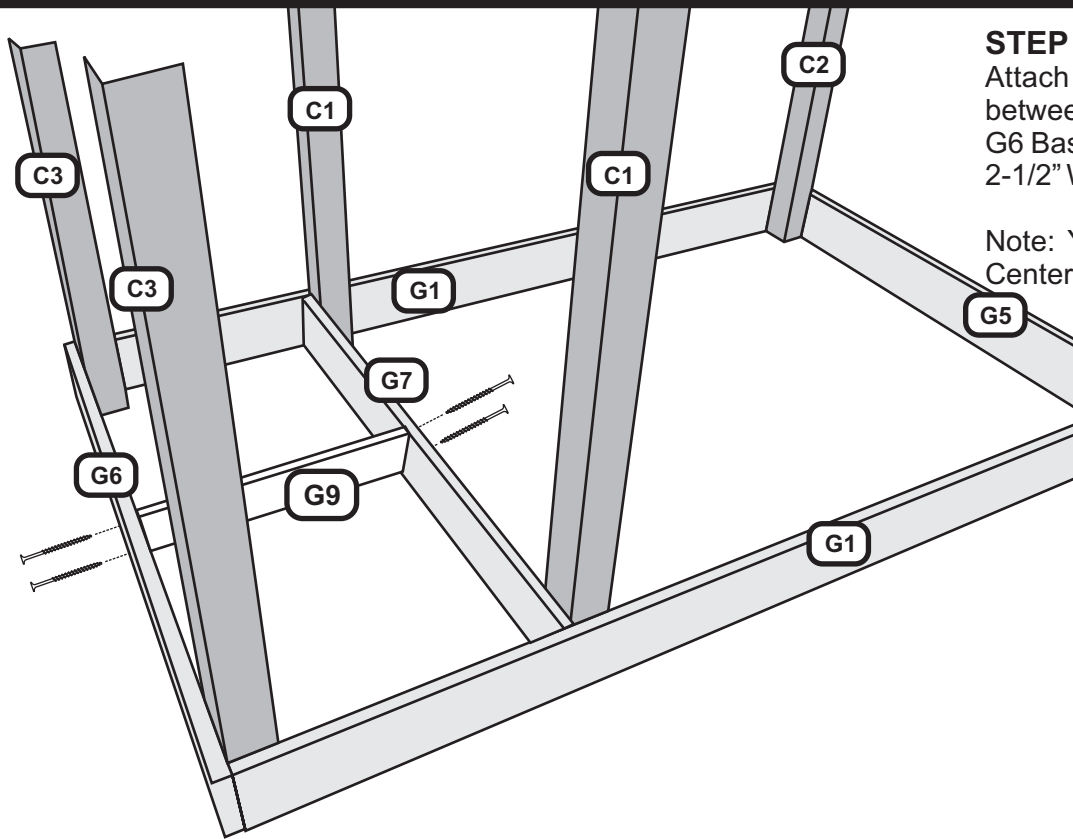
H4 Floor Joist \* No Holes \* 1 Req  
1 x 3-1/2 x 57-1/2 [ 2.54 x 8.89 x 146.05 ]



### STEP 13

Attach G9 Bottom Floor Joist between G7 Baseboard and Left G6 Baseboard and attach with four 2-1/2" Wood Screws.

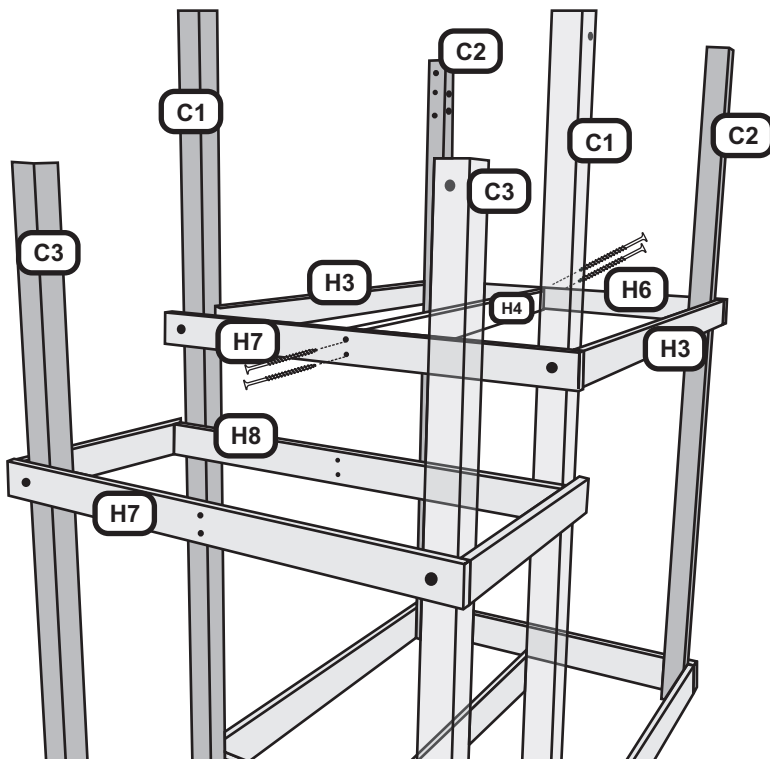
Note: You must pilot drill G6 and Center screws into G9.



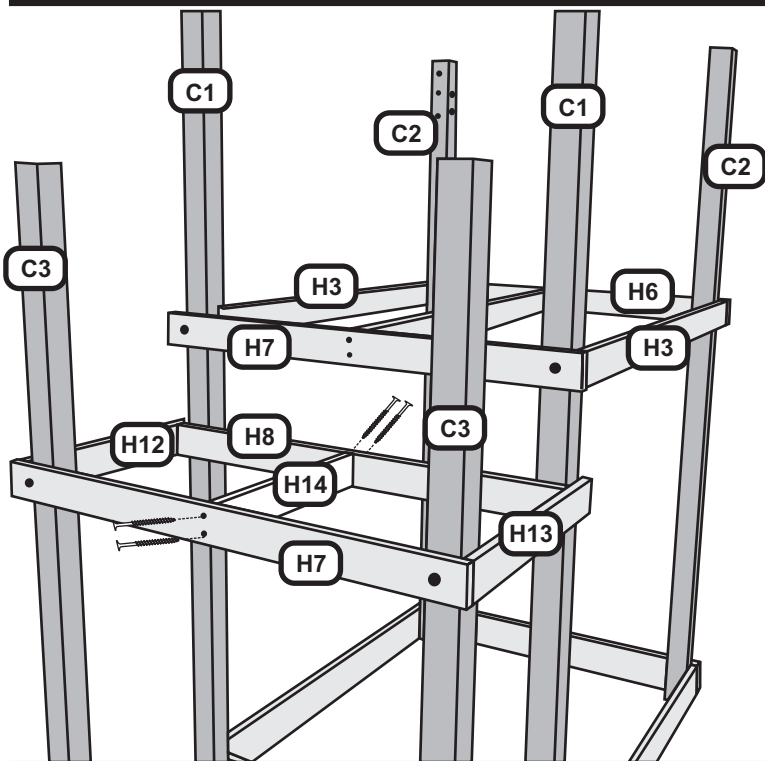
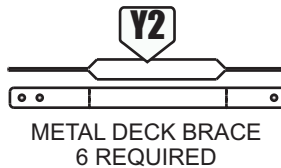
#8 X 2-1/2"  
WOOD  
SCREW

### STEP 14

Attach H4 Top Floor Joist between H6 Left Floor Rail and H7 Right Floor Rail using four 2-1/2" Wood Screws. Note: Center screws into H7.

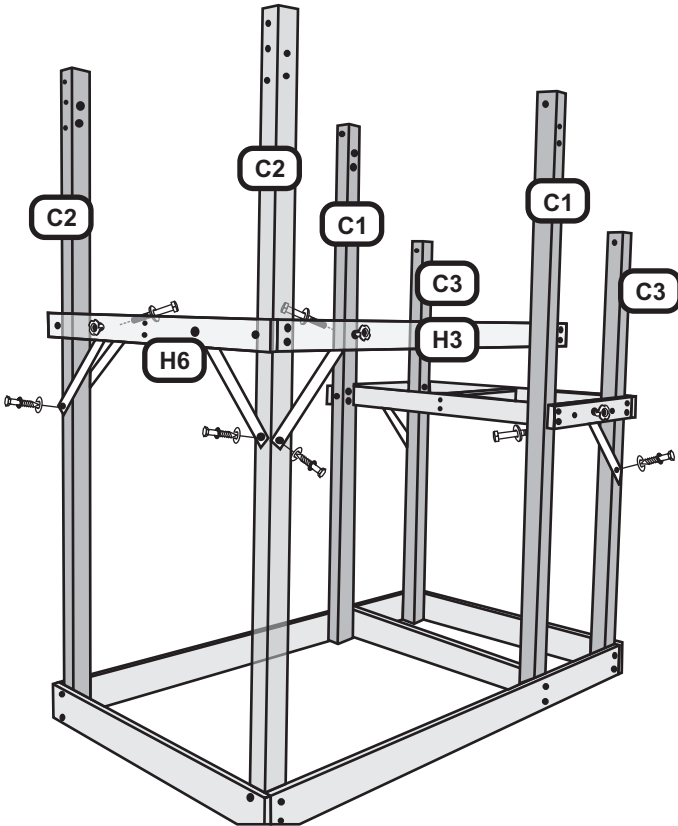
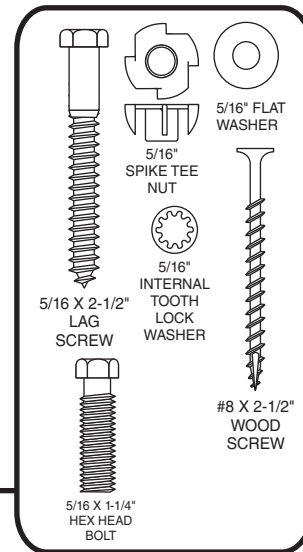


H14 Floor Joist \* No Holes \* 1 Req  
 1 x 3-1/2 x 20 [ 2.54 x 8.89 x 50.80 ]



**STEP 15**

Attach H14 Lower Top Floor Joist to H7 Right Floor Rail and H8 Center Floor Rail using four 2-1/2" Wood Screws. Note: Center screws into H14.

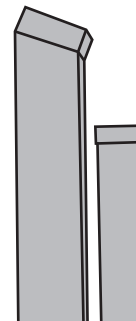
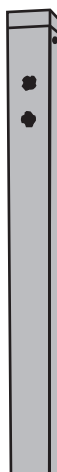


**STEP 16**

Attach 5/16" Spike T-Nuts on outside of Floor Rails on left front and back of Upper Floor Rails and front and back of Lower-Upper Floor Rails. Now attach Y2 Deck Braces using 5/16 x 1-1/4" Hex Bolts, Internal Tooth Lock Washers and Flat Washers. At this point, level Set at each corner and attach Y2 Deck Braces, to the Tower Posts, pilot drill using 3/16" bit and attach using 2-1/2" Lag Screws, Internal Tooth Lock Washers and Flat Washers.

**STEP 17**

At this point, place the Y18 Plastic Post Caps on all six of the Tower Posts.



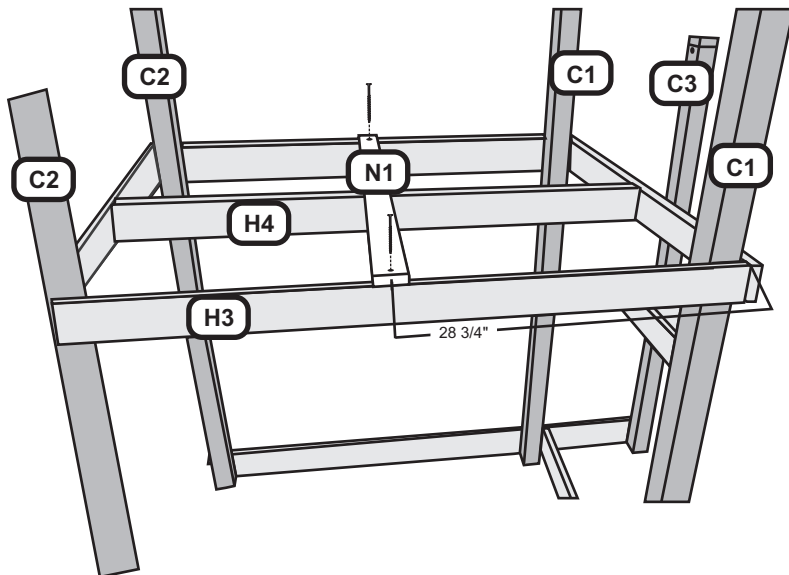
L1 Floor Board \* 4 Holes \* 4 Req  
11/16 x 4-1/2 x 39 [ 1.74 x 11.43 x 99.06 ]



M3 Floor Board \* 5 Holes \* 34 Req  
11/16 x 3-3/8 x 47 [ 1.74 x 8.57 x 119.38 ]

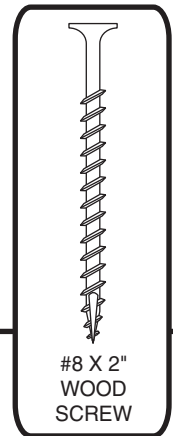


N1 Floor Board \* 5 Holes \* 1 Req  
11/16 x 2-1/2 x 47 [ 1.74 x 6.35 x 119.38 ]

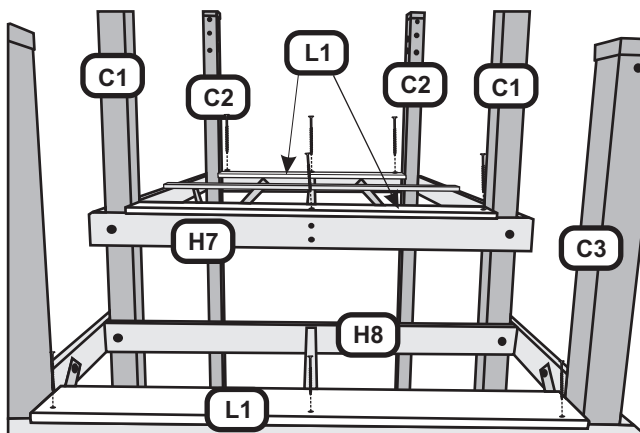


### STEP 18

Now at Front Floor Rail and Back Floor Rail measure to center of Rail approximately 28-3/4" and mark Rail. Now attach N1, five-hole Floor Board, in center of floor using marks to locate, and Attach using 2" Wood Screws.

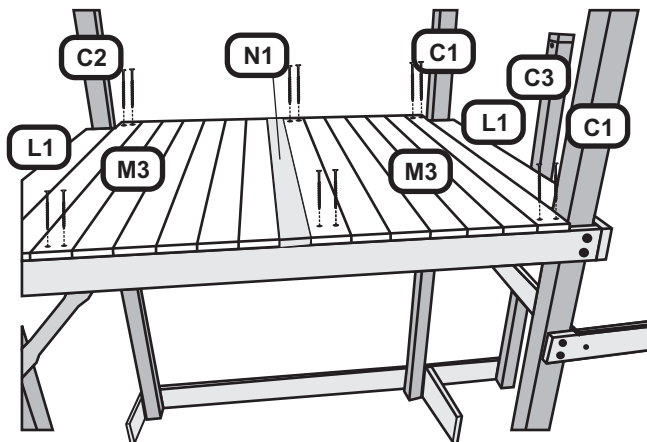


#8 X 2"  
WOOD  
SCREW



### STEP 19

Attach L1, four-hole Floor Boards, between Tower Posts flushing to outside of Left and Right Floor Rail on Top Floor and between C3 Posts on Lower Floor flush with the Right Floor Rail. Attach using 2" Wood Screws.



### STEP 20

On Upper Floor place M3, five-hole Floor Boards, seven on each side of N1 Center Floor Board, and space evenly. Then attach using 2" Wood Screws.

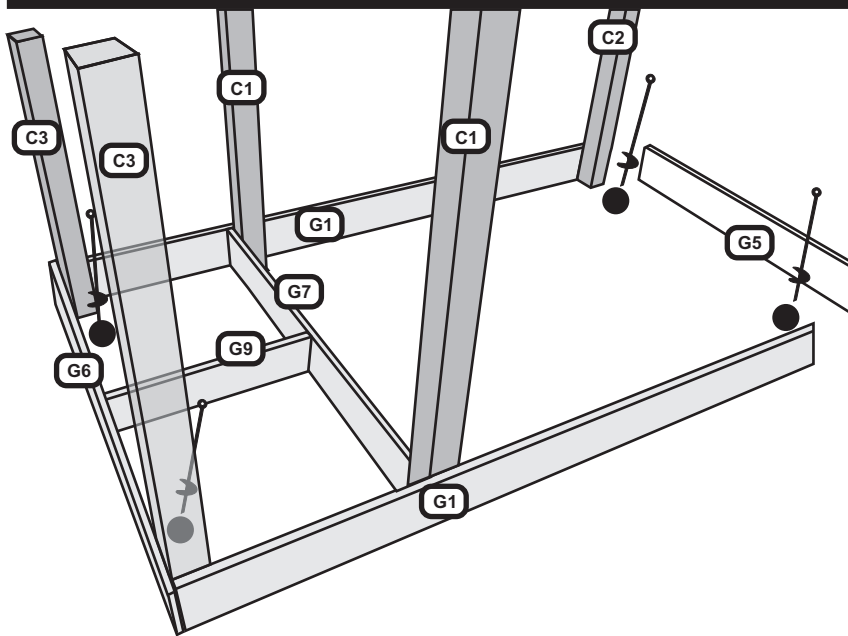
G2 Arched Wall Rail \* 4 Holes \* 2 Req  
 1 x 5-1/2 x 57-1/2 [ 2.54 x 13.97 x 146.05 ]



METAL STAKES



L1 Floor Board \* 4 Holes \* 4 Req  
 11/16 x 4-1/2 x 39 [ 1.74 x 11.43 x 99.06 ]

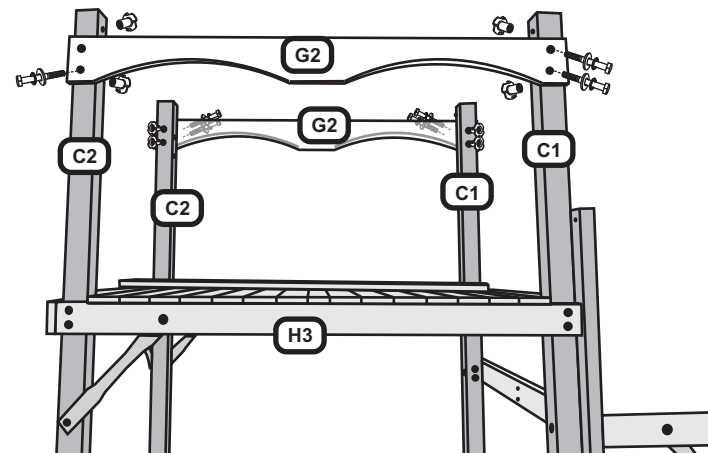
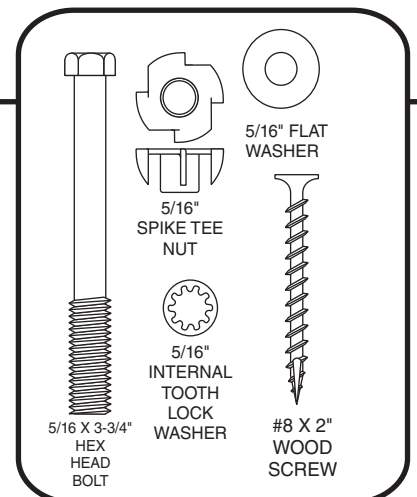
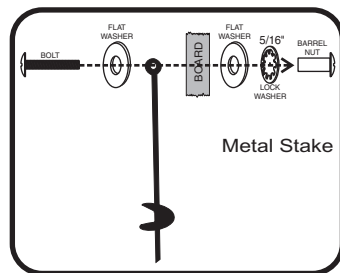


## STEP 21

Now is the time to position unit in permanent spot. Secure the playset to the ground by using the stakes in the locations shown by the black circles.

Metal stake installation: Measure in 8" from inside post and mark ground for stake location. Now remove G5 and G6 base board to allow room to twist stake into ground. You will need a long screwdriver for leverage. In some cases you may need to dig a hole to install stake and cement. Now reattach the G5 and G6 baseboards to the unit

Use hole in stake as guide to drill 3/8" pilot hole thru base board use 1" phillips truss head bolt, 5/16" flat washer thru stake into baseboard 5/16" flat washer, 5/16" lock washer on barrel nut attach to base board.



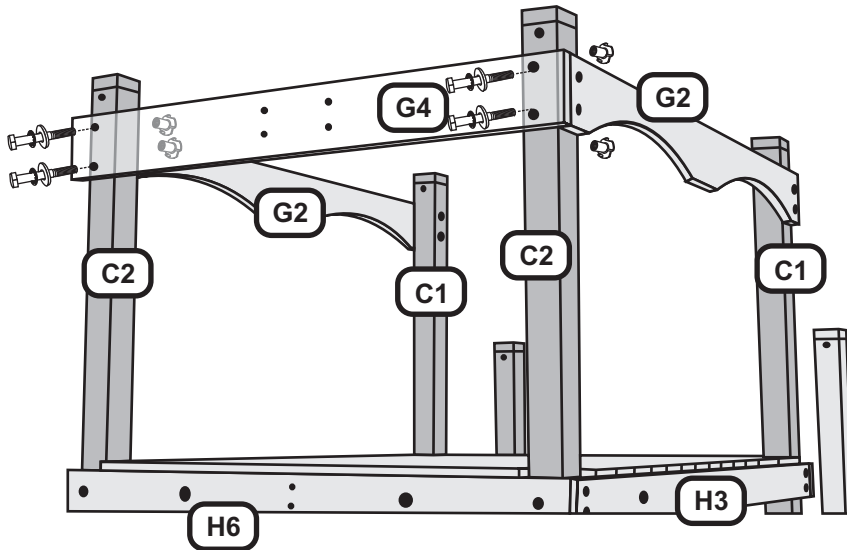
## STEP 22

Drive 5/16" Spike T-Nuts into inside of C2 and C1 Posts. Then attach G2 Sculptured Rails to front and back of C2 and C1 Posts using 5/16 x 3-3/4" Hex Bolts, Internal Tooth Lock Washers and Flat Washers.

G4 Club House Wall Rail \* 8 Holes \* 1 Req  
 1 x 5-1/2 x 47 [ 2.54 x 13.97 x 119.38 ]

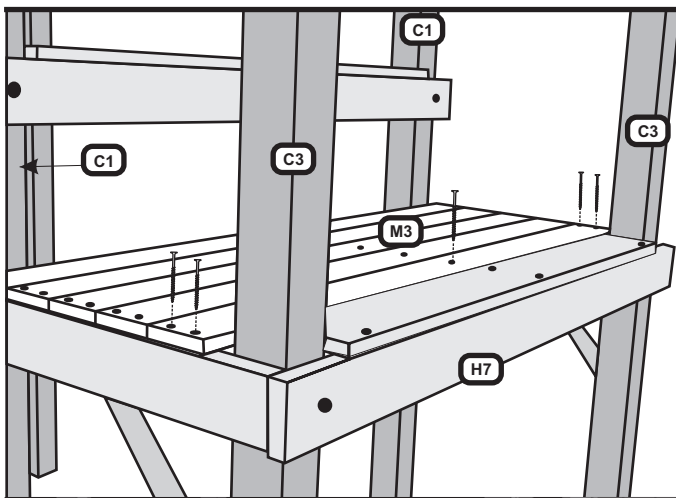
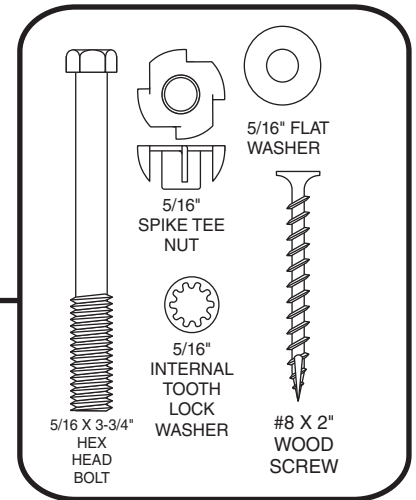


M3 Floor Board \* 5 Holes \* 24 Req  
 11/16 x 3-3/8 x 47 [ 1.74 x 8.57 x 119.38 ]



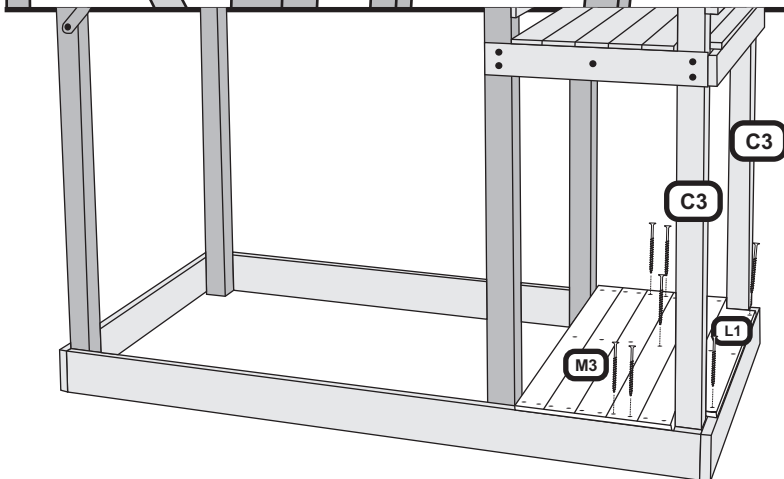
**STEP 23**

Attach G4, eight-hole, Clubhouse Wall Rail to C2 Post using 5/16" x 3-3/4" Hex Bolts, Internal Tooth Lock Washers, Flat Washers and Spike T Nuts.



**STEP 24**

Now install five M3 Floor Boards on Top-Lower Floor spacing evenly using 2" Wood Screws.

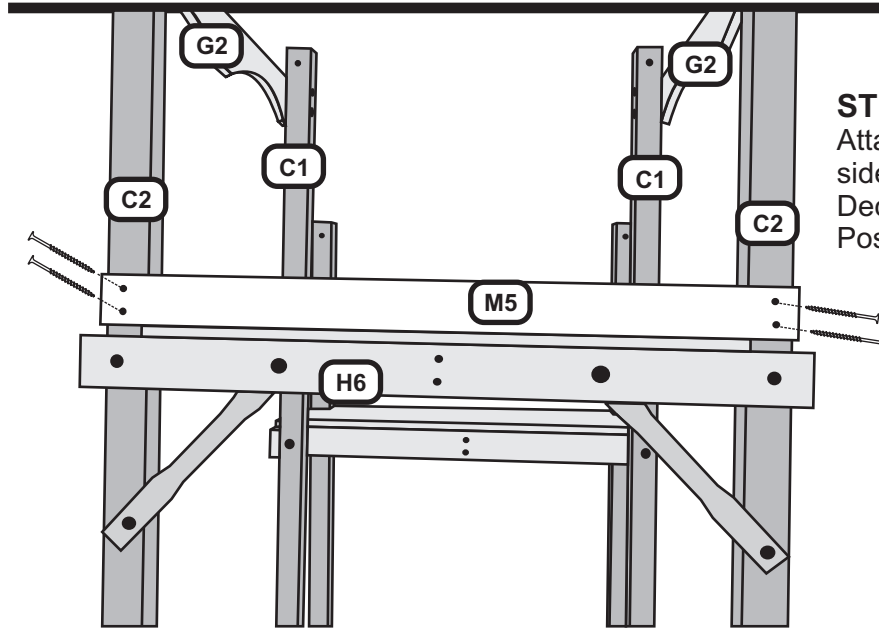
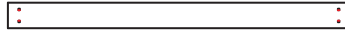


**STEP 25**

Attach L1, four-hole Floor Board, between Tower Posts flushing to outside of Left and Right Floor Rail on Bottom Floor and between C3 Posts.

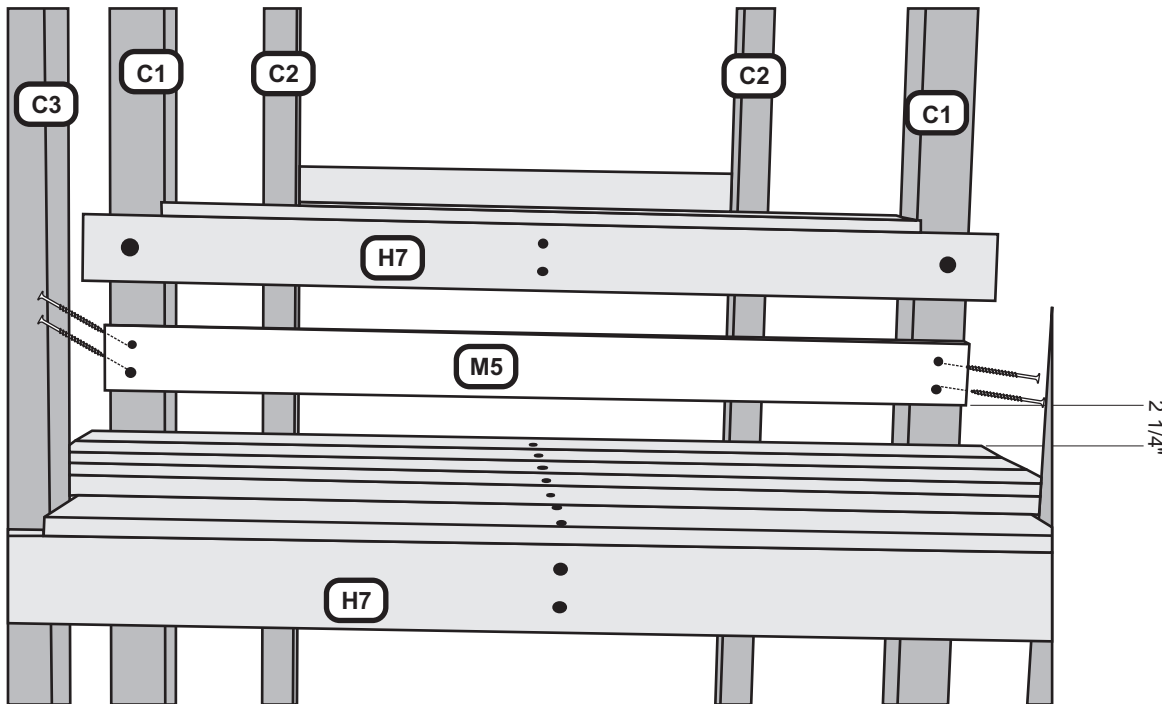
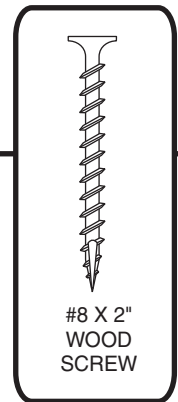
At this point, install Lower Deck Floor Boards, M3, using 2" Wood Screws spacing fifteen M3 Floor Boards evenly.

M5 Club House Rail \* 4 Holes \* 2 Req  
1 1/16 x 3-3/8 x 45 [ 1.74 x 8.57 x 114.30 ]



### STEP 26

Attach M5, four-hole, Clubhouse Rail at left side of Tower C2 Post. Place on top of L1 Deck Board and flush with outside of C2 Post. Attach using 2" Wood Screws.



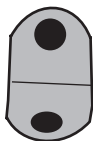
### STEP 27

Attach M5, four-hole, Clubhouse Rail at C1 Post above Lower and Top Deck; measuring 2-1/4" up from top of M3 Floor Board mark C1 Post. Attach using 2" Wood Screws.

G8 Club House Wall Support \* 5 Holes \* 2 Req  
 1 x 5-1/2 x 29 [ 2.54 x 13.97 x 73.66 ]



Y9

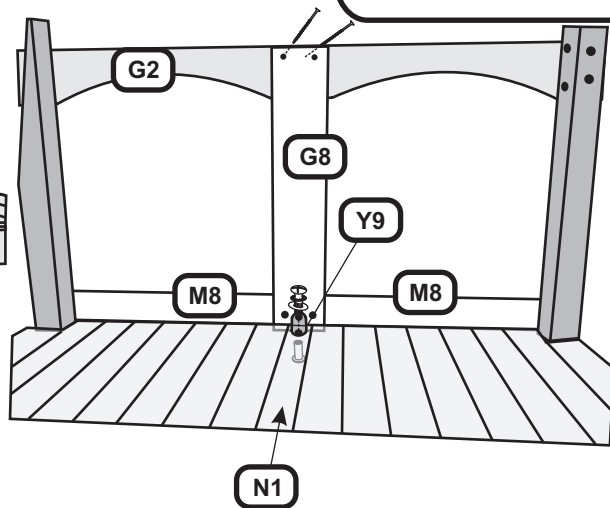
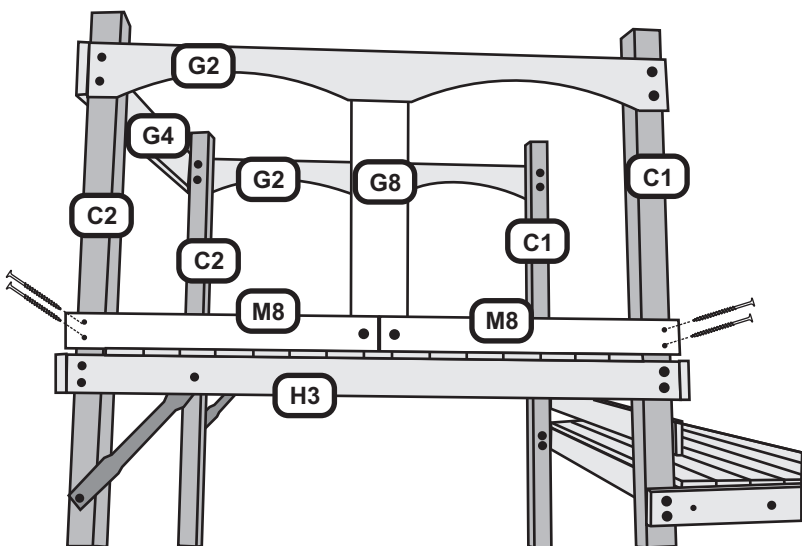
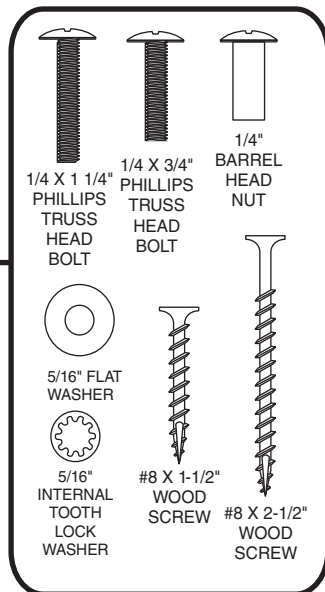
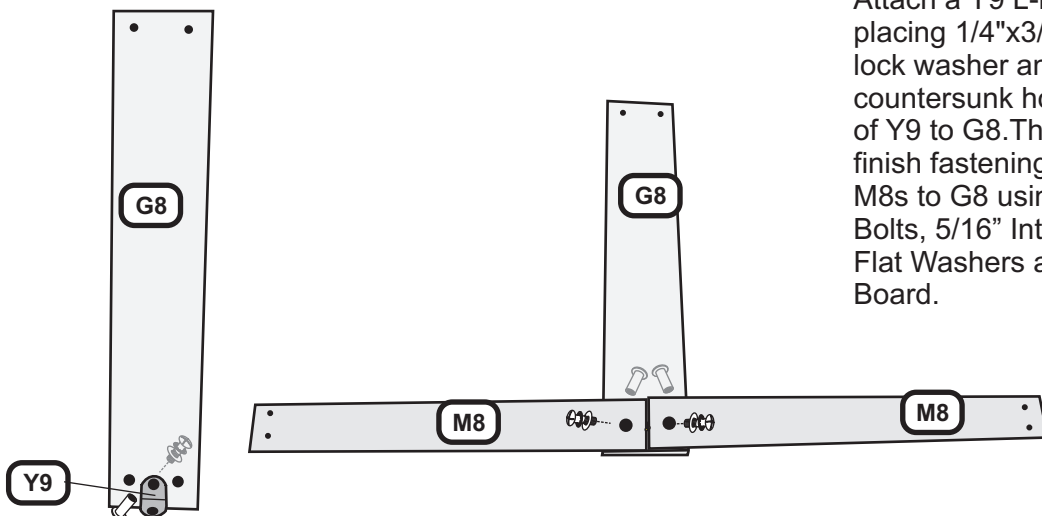


M8 Club House Rail \* 3 Holes \* 4 Req  
 11/16 x 3-3/8 x 28-3/4 [ 1.74 x 8.57 x 73.03 ]



### STEP 28

Attach a Y9 L-brace to G8 center uprite placing 1/4"x3/4" phillips truss head bolt, lock washer and flat washer in countersunk hole of G8. NOTE: long end of Y9 to G8. Then use phillips barrel nut to finish fastening to G8. Now Attach two M8s to G8 using 1/4 x 1-1/4" Truss Head Bolts, 5/16" Internal Tooth Lock Washers, Flat Washers and Barrel Nuts to G8 Board.



### STEP 29

Now on front of tower, place G8 and M8 Assembly on top of Floor Rails and attach using 3/4" Phillips Truss Head Bolt through Y9 using Lock Washers and Flat Washers with a Barrel Nut on bottom side of N1 Center Floor Board. At this point, keep G8 as plumb up and down as possible and attach to G2 Sculptured Top Rail using 1-1/2" Wood Screws. Now in the pre-drilled holes on M8 Wall Rails attach to C-Posts with 2-1/2" Wood Screws. Repeat G8 and M8 process on back of tower.

### Step 30

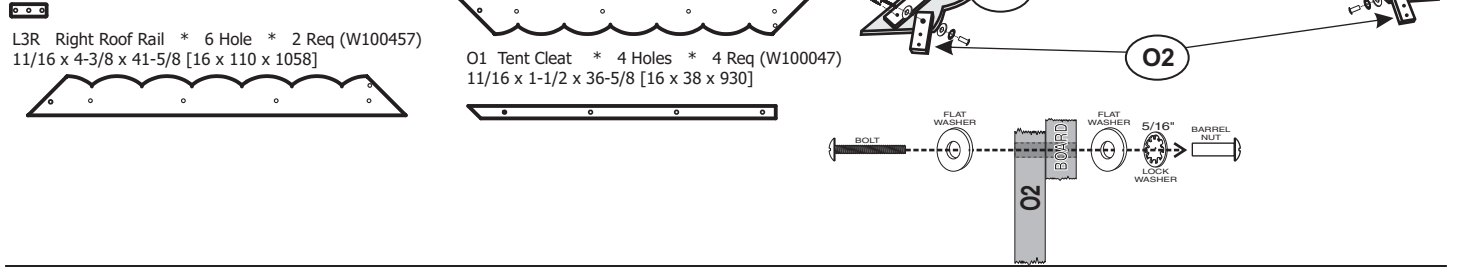
Attach O1 to L3 Left and L3 Right with 1-1/8" Wood Screw using pilot holes provided. Repeat for both sets. Attach the O2 Roof Cleat using Phillips Truss Head Bolt, two Flat Washers, Lock Washer and Barrel Nut as shown.

O2 Roof Cleat \* 3 Holes \* 4 Req (W100371)  
11/16 x 1-1/2 x 4-1/4 [16 x 38 x 108]

L3L Left Roof Rail \* 6 Hole \* 2 Req (W100042)  
11/16 x 4-3/8 x 41-5/8 [16 x 110 x 1058]

L3R Right Roof Rail \* 6 Hole \* 2 Req (W100457)  
11/16 x 4-3/8 x 41-5/8 [16 x 110 x 1058]

O1 Tent Cleat \* 4 Holes \* 4 Req (W100047)  
11/16 x 1-1/2 x 36-5/8 [16 x 38 x 930]

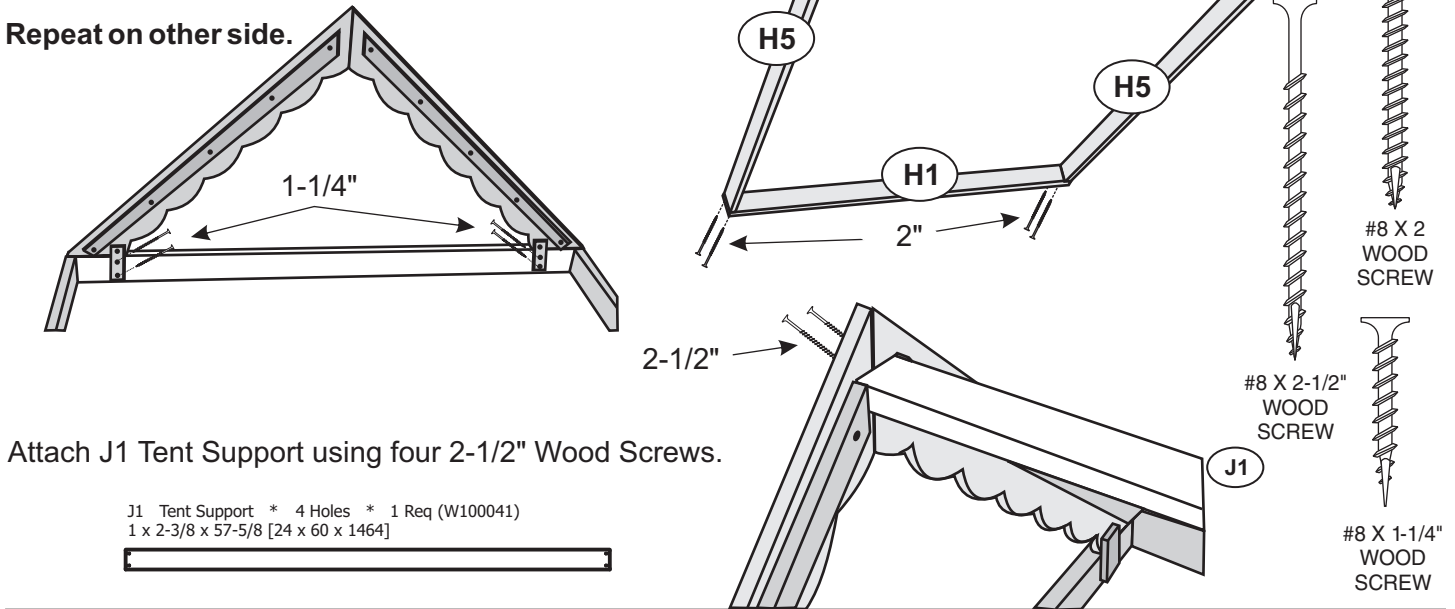


### Step 31

Assemble Tent Frame by using two H5 Roof Supports and two H1 Roof Supports with eight 2" Wood Screws.

Attach Roof Board Assembly using two 1-1/4" Wood Screws as shown.

Repeat on other side.



Attach J1 Tent Support using four 2-1/2" Wood Screws.

J1 Tent Support \* 4 Holes \* 1 Req (W100041)  
1 x 2-3/8 x 57-5/8 [24 x 60 x 1464]

### Step 32

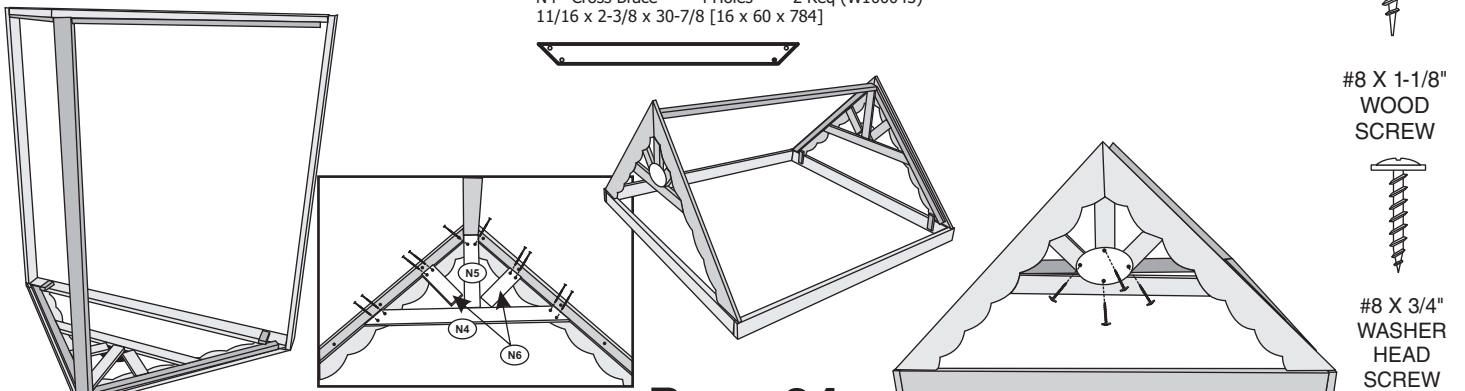
Stand up assembly and position one N4, one N5 and two N6's. Attach to triangle end using 1-1/8" Wood Screws. Lay roof back down then attach ID Plate to the outside face using 3/4" Washer Head Screws.

Repeat on the other side.

N6 Starburst \* 2 Holes \* 4 Req (W100045)  
11/16 x 2-3/8 x 7-1/4 [16 x 60 x 184]

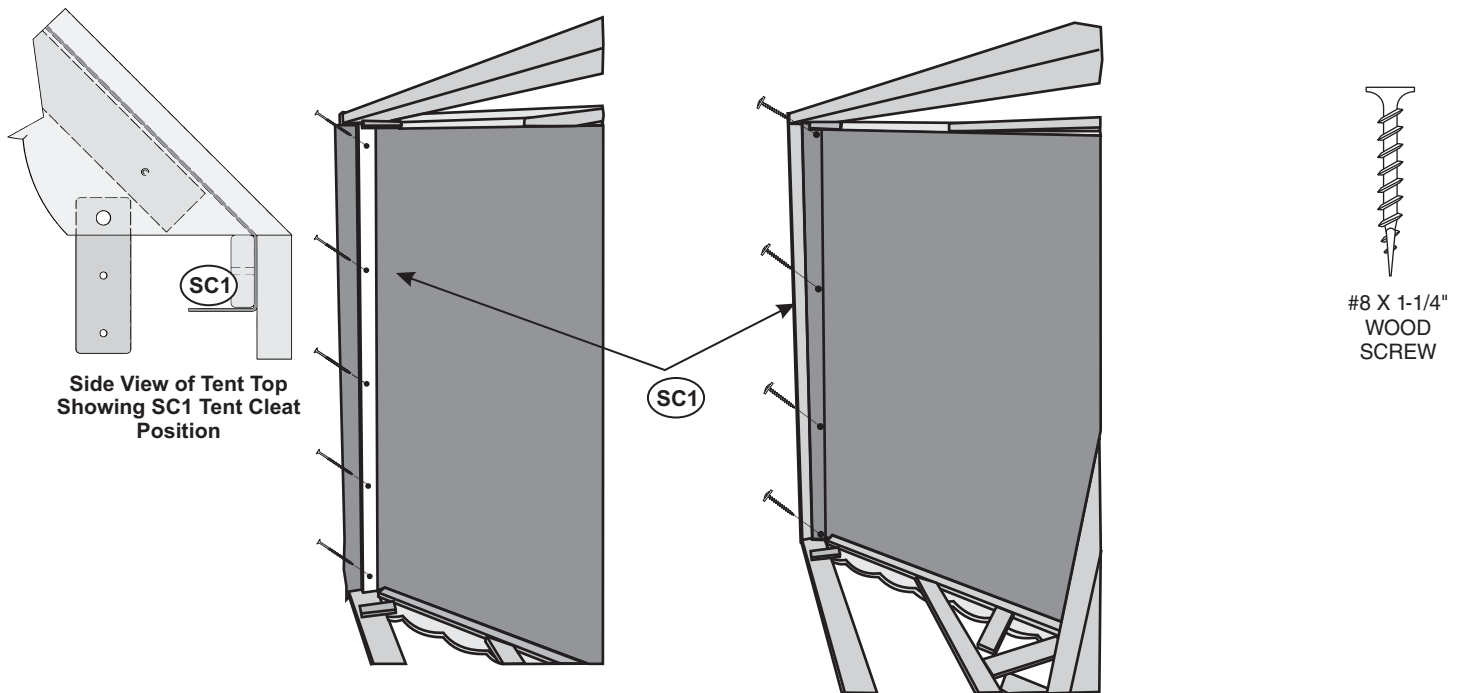
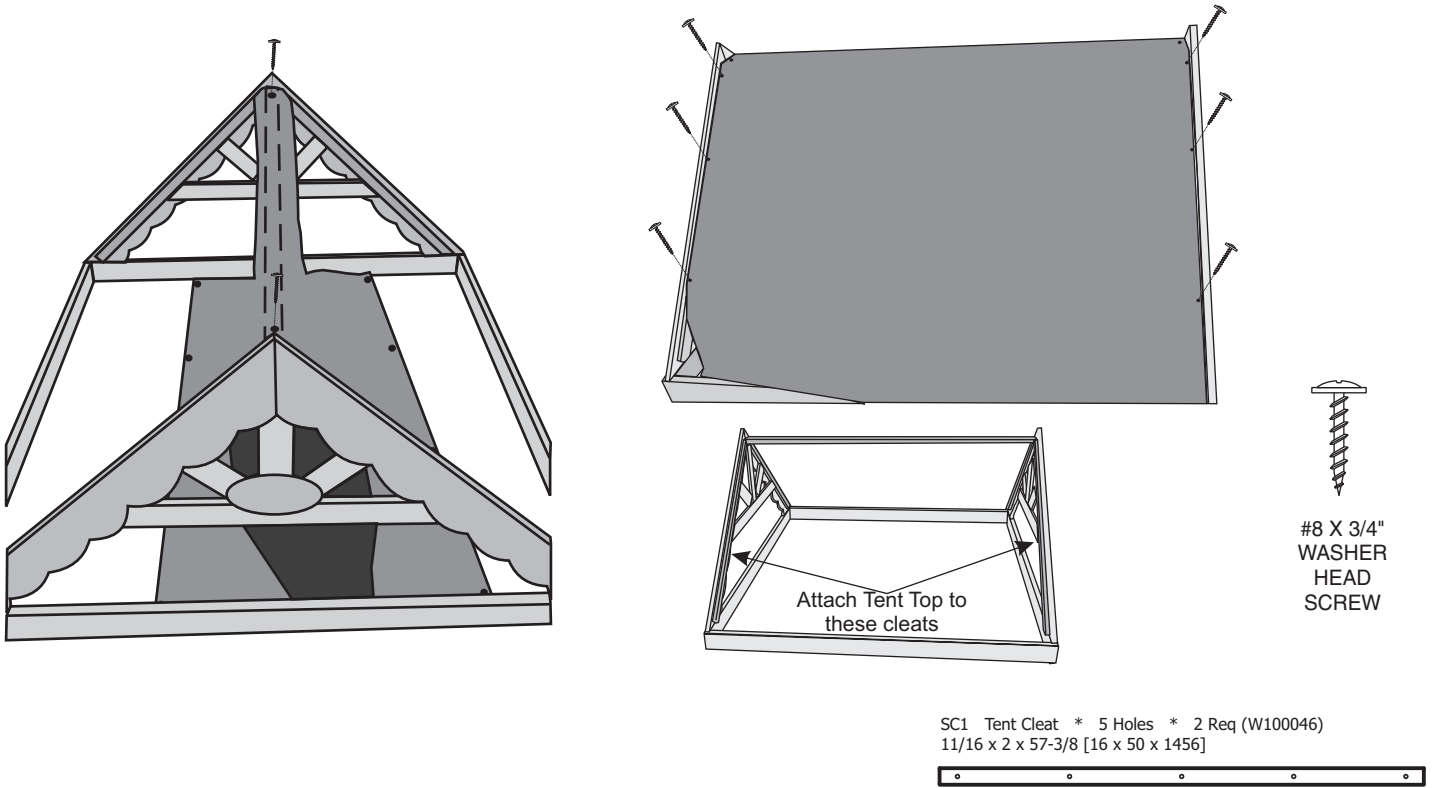
N5 Starburst \* 2 Holes \* 2 Req (W100044)  
11/16 x 2-3/8 x 13 [16 x 60 x 332]

N4 Cross Brace \* 4 Holes \* 2 Req (W100043)  
11/16 x 2-3/8 x 30-7/8 [16 x 60 x 784]



### Step 33

To attach Tent Top - Drop the Tent Top across the frame, find center and attach with one Washer Head Screw to each side of Center Support. Attach 3/4" Washer Head Screws on both sides of Tent Top to O1 Tent Cleat on each side.

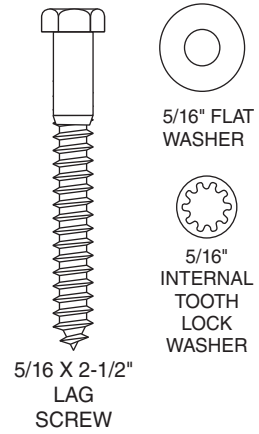
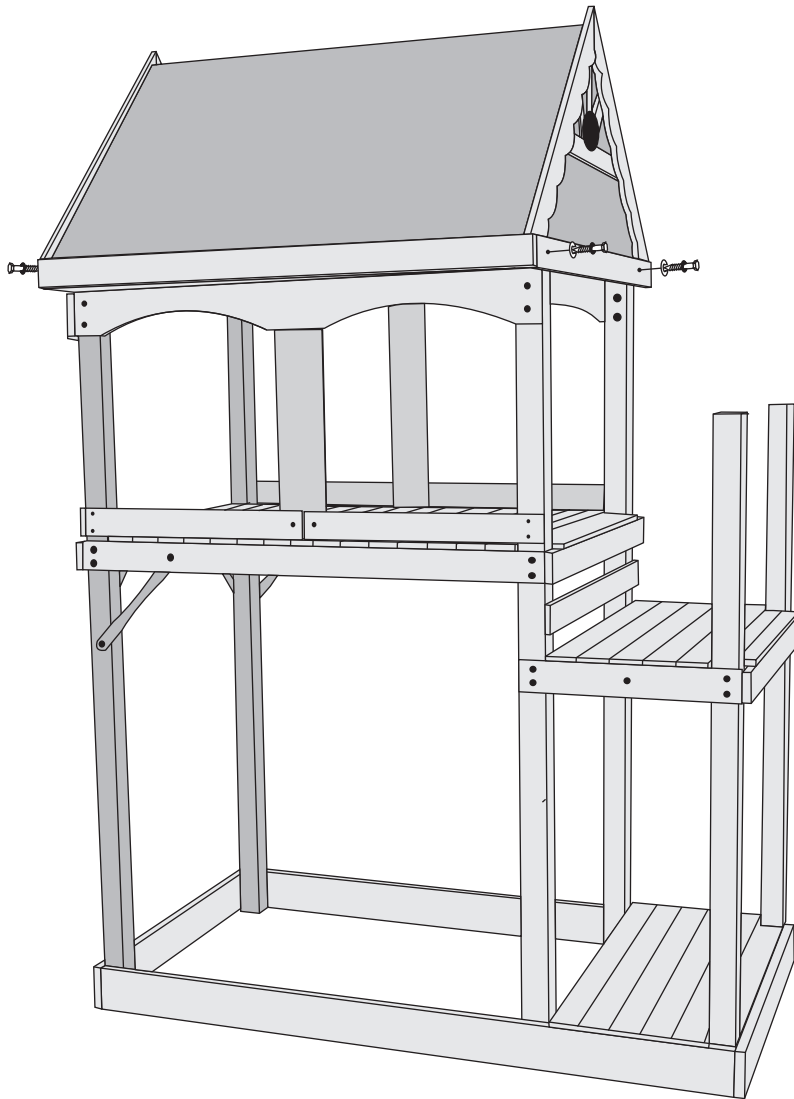


### Stand on end to attach Cleat.

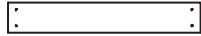
Hold Tent Top tight underneath and attach SC1 Tent Cleat using 1-1/4" Wood Screws. Would be best if you have help to hold the Tent taut when adding Cleat then fold tent top over Cleat and screw Cleat through the grommets using 3/4" Washer Head Screws.

**Step 34**

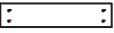
Use two people to lift Tent Assembly up on top of play set. Attach with four 2-1/2" Lag Screws, Lock Washers and Flat Washers to Tower Legs, making sure that the H5 Roof Support is centered and flush with the top of the leg.



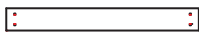
L2 Club House Wall Board \* 4 Holes \* 1 Req  
11/16 x 4-1/2 x 29 [ 1.74 x 11.43 x 73.66 ]



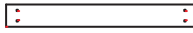
M10 Club House Wall Board \* 4 Holes \* 6 Req  
11/16 x 3-3/8 x 16 [ 1.74 x 8.57 x 40.64 ]



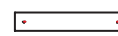
M6 Club House Wall Board \* 4 Holes \* 28 Req  
11/16 x 3-3/8 x 29 [ 1.74 x 8.57 x 73.66 ]



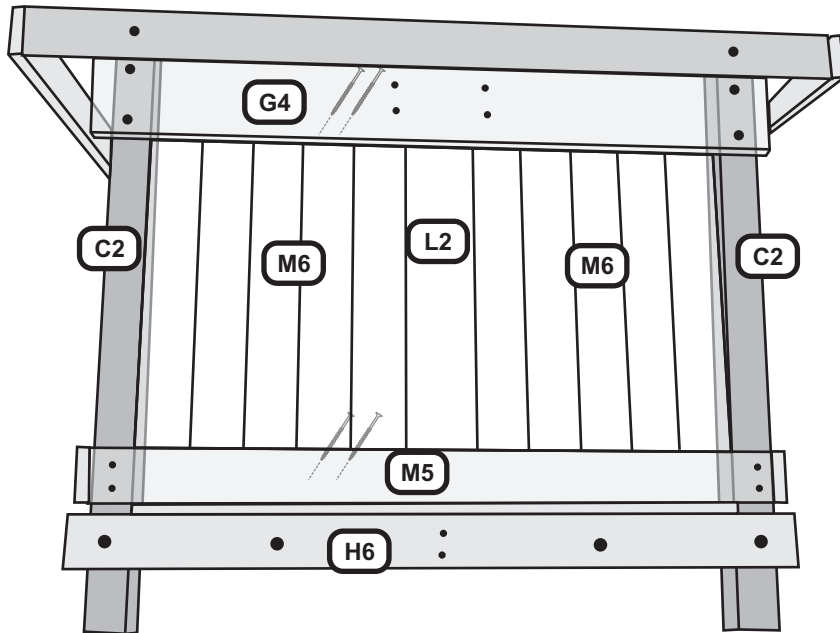
M7 Window Trim \* 4 Holes \* 1 Req  
11/16 x 3-3/8 x 28-3/4 [ 1.74 x 8.57 x 73.03 ]



N3 Club House Wall Board \* 2 Holes \* 1 Req  
11/16 x 2-1/2 x 16 [ 1.74 x 6.35 x 40.64 ]

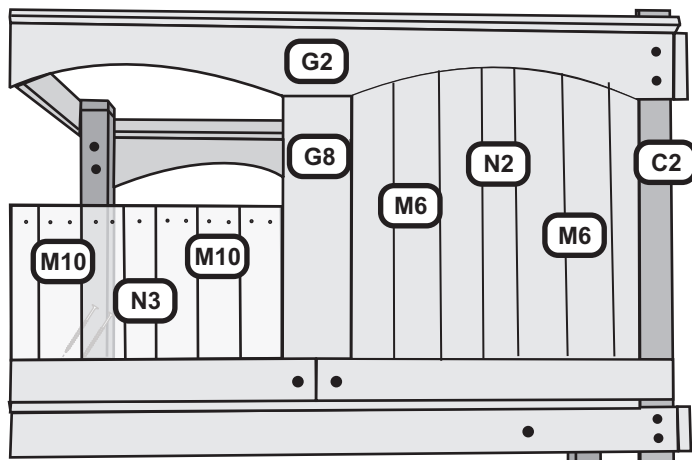
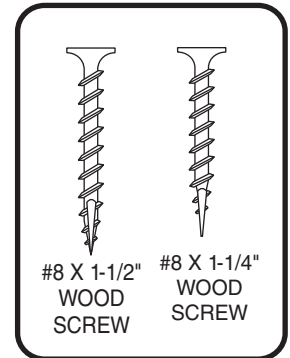


M12 Window Trim \* 2 Holes \* 2 Req  
11/16 x 3-3/8 x 6-3/4 [ 1.74 x 8.57 x 17.15 ]



### STEP 36

On left side of Tower, between C2 Posts, attach ten M6 Wall Boards and one L2 Wall Board. L2 will be in center with five M6s on each side. Space evenly apart and fasten with 1-1/2" Wood Screws at Top Rail and 1-1/4" Wood Screws at Bottom Rail.

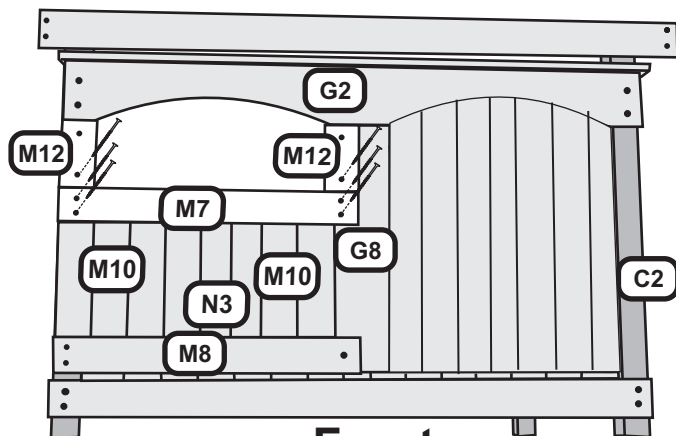


Front

### STEP 37

Attach six M10 Wall Boards and one N3 Wall Board to back left corner of clubhouse. Starting at C2 Posts, place three M10s; then place the one N3; and then place the last three M10s. Space evenly and fasten to Bottom Rail using 1-1/4" Wood Screws.

Attach six M6 Wall Boards and one N2 on back left placing three M6s, then one N2 and the remaining three M6s then Space evenly and Fasten using 1-1/4" Wood Screws in Bottom Rail and 1-1/2" Wood Screws in Top Rail.



Front

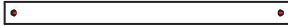
### STEP 38

Attach M12 Window Trim to C2 Post pushed tight against G2 Sculptured Rail and flush with outside of Post using 1-1/2" Wood Screws. Then attach M7 Window Trim flush with outside edge of both M12 and C2 post. Fasten to C2 with 1-1/2" Wood Screws. Now attach M12 Window Trim butting ends tight at Top of G2 and flush with end of M7 Window Trim and fasten with 1-1/2" Wood Screws; finish by fastening top of Wall Boards N3 and M10s to M7, using 1-1/4" Wood Screws.

M6 Club House Wall Board \* 4 Holes \* 28 Req  
 11/16 x 3-3/8 x 29 [ 1.74 x 8.57 x 73.66 ]



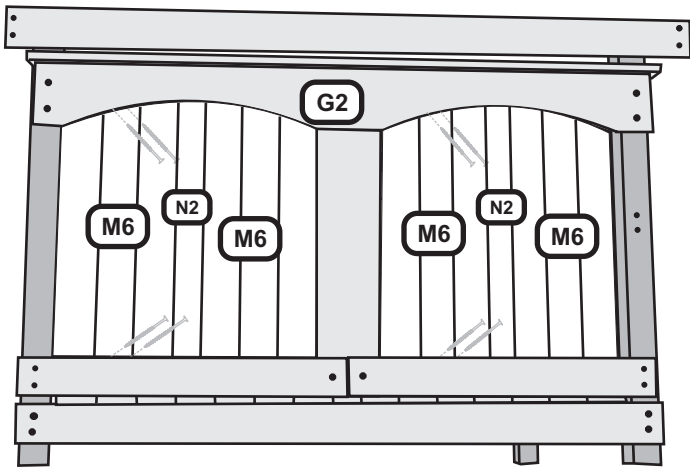
H9 Wall Rail \* 2 Holes \* 2 Req  
 1 x 3-1/2 x 45 [ 2.54 x 8.89 x 114.30 ]



M9 Wall Board \* 4 Holes \* 23 Req  
 11/16 x 3-3/8 x 23 [ 1.74 x 8.57 x 58.42 ]



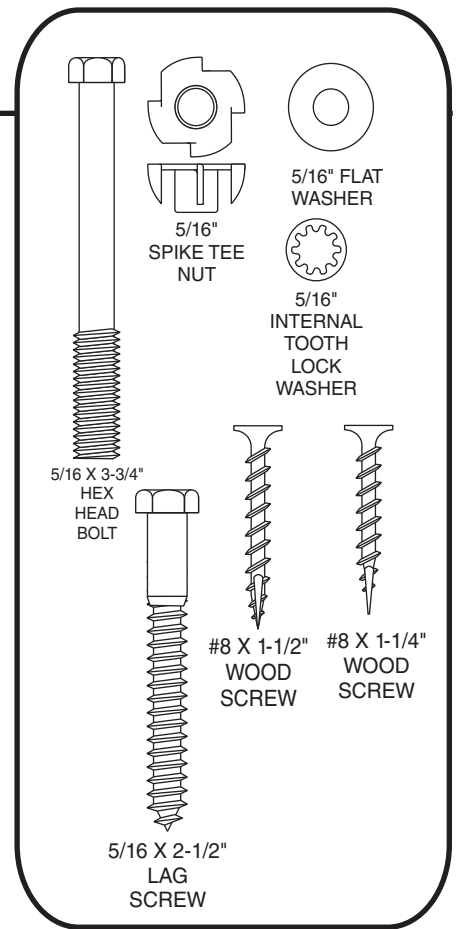
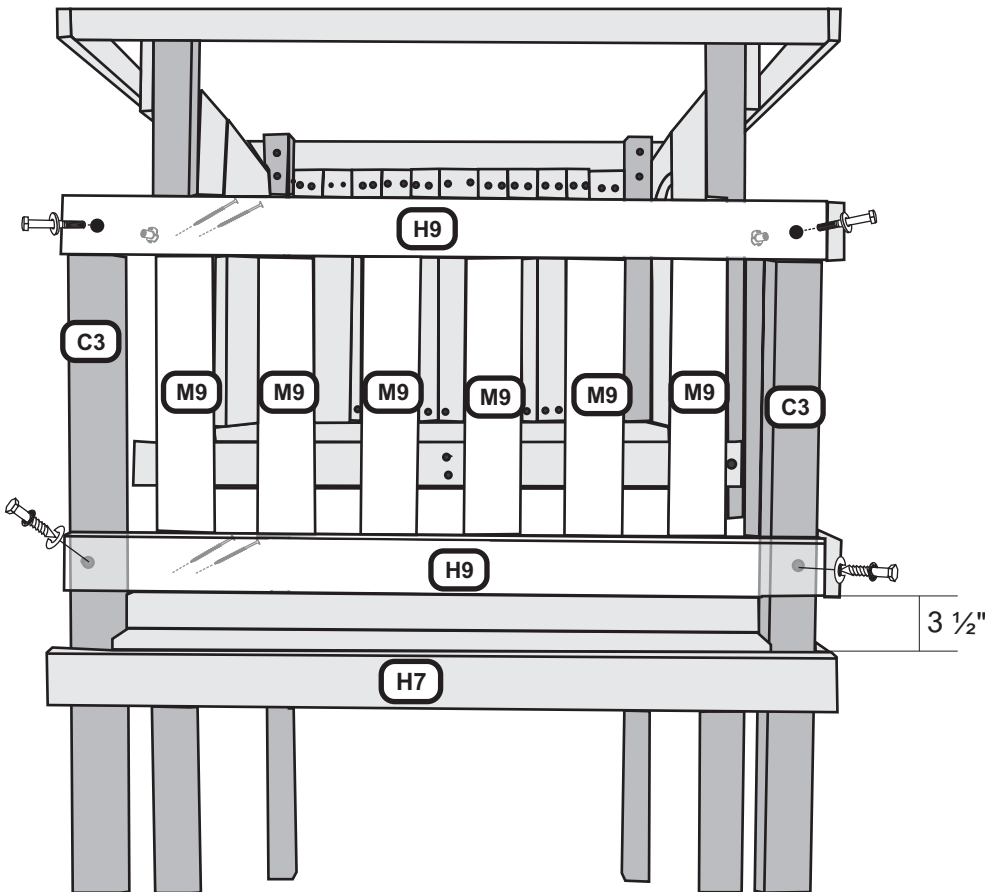
N2 Club House Wall Board \* 2 Holes \* 3 Req  
 11/16 x 2-1/2 x 29 [ 1.74 x 6.35 x 73.66 ]



**STEP 39**

Attach six M6 Wall Boards and one N2 on back left placing three M6s, then one N2 and the remaining three M6s then Space evenly and Fasten using 1-1/4" Wood Screws in Bottom Rail and 1-1/2" Wood Screws in Top Rail.

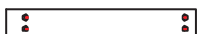
**Back**



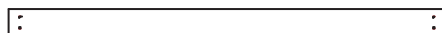
**STEP 40**

Install 5/16" Spike T-Nuts inside C3 Posts and attach H9 using 5/16 x 3-3/4" Hex Bolts, Internal Tooth Lock Washers and Flat Washers. Measure up 3-1/2" from top of H7 Floor Rail and mark C3 Post. Now attach H9 with bottom of H9 Wall Rail at marks on Post, pilot drill using 3/16" bit and attach using 2-1/2" Lag Screws, Internal Tooth Lock Washers and Flat Washers. Make sure that H9 is flush with outside of C3. Now attach six M9 Wall Boards to H9 Wall Rails on right side of Tower spacing approximately 2-3/4" apart using 1-1/2" Wood Screws.

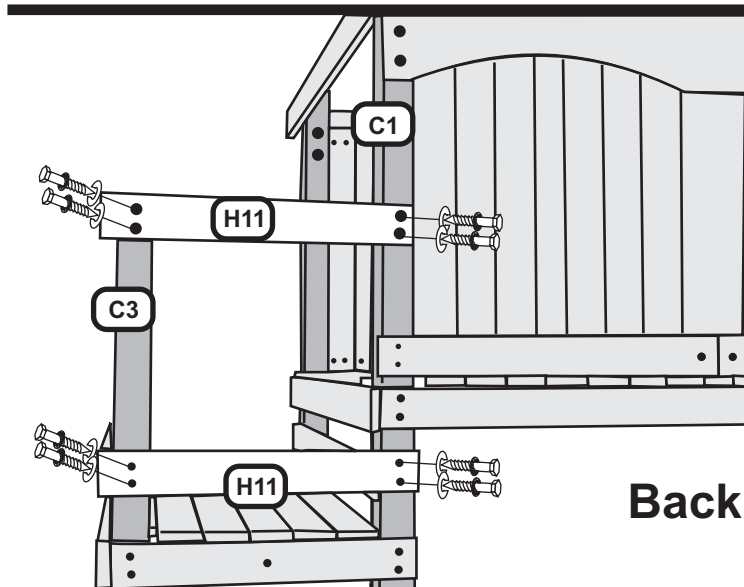
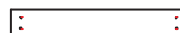
H11 Wall Rail \* 4 Holes \* 2 Req  
 1 x 3-1/2 x 25 [ 2.54 x 8.89 x 63.50 ]



M1 Wall Rail \* 4 Holes \* 2 Req  
 1 1/16 x 3-3/8 x 57-1/2 [ 1.74 x 8.57 x 146.05 ]



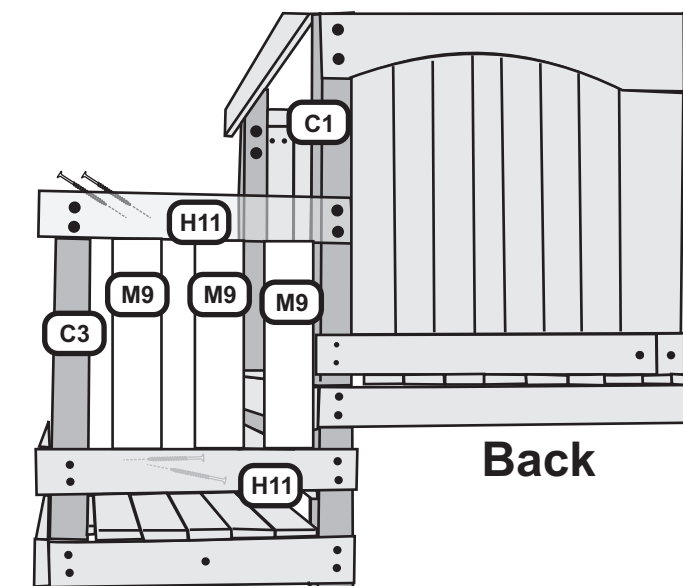
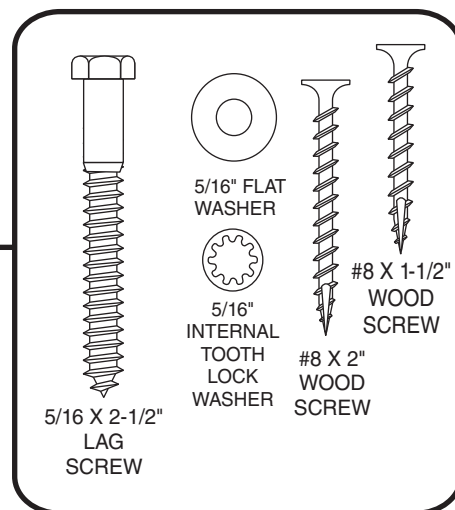
M9 Wall Board \* 4 Holes \* 23 Req  
 1 1/16 x 3-3/8 x 23 [ 1.74 x 8.57 x 58.42 ]



Back

### Step 41

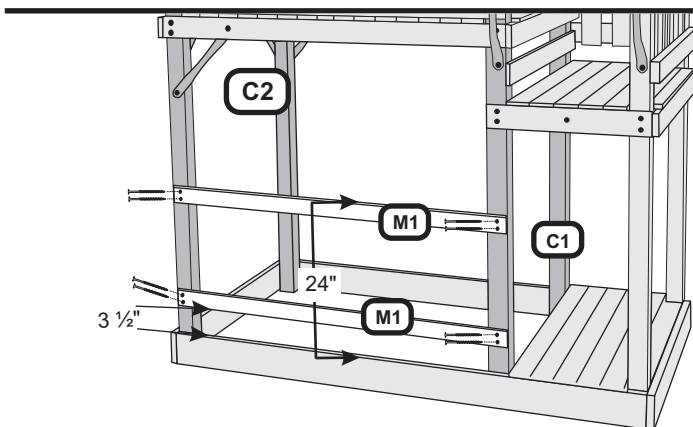
Attach H11 Wall Rails, noting countersunk holes drilled at 2-1/2" from edge go towards C3 Posts. Flush H11 to outside of H9 Front Wall Rail at top and bottom pilot drill with 3/16" bit using holes in H11 as guides and fasten using 2-1/2" Lag Screws, Internal Tooth Lock Washers and Flat Washers. Now level H11's and fasten to C1 Posts using 2-1/2" Lag Screws, Internal Tooth Lock Washers and Flat Washers.



Back

### STEP 42

Attach three M9 Wall Boards to inside of H11 Wall Rails on backside of Lower Deck using 1-1/2" Wood Screws spacing approximately 2" apart.



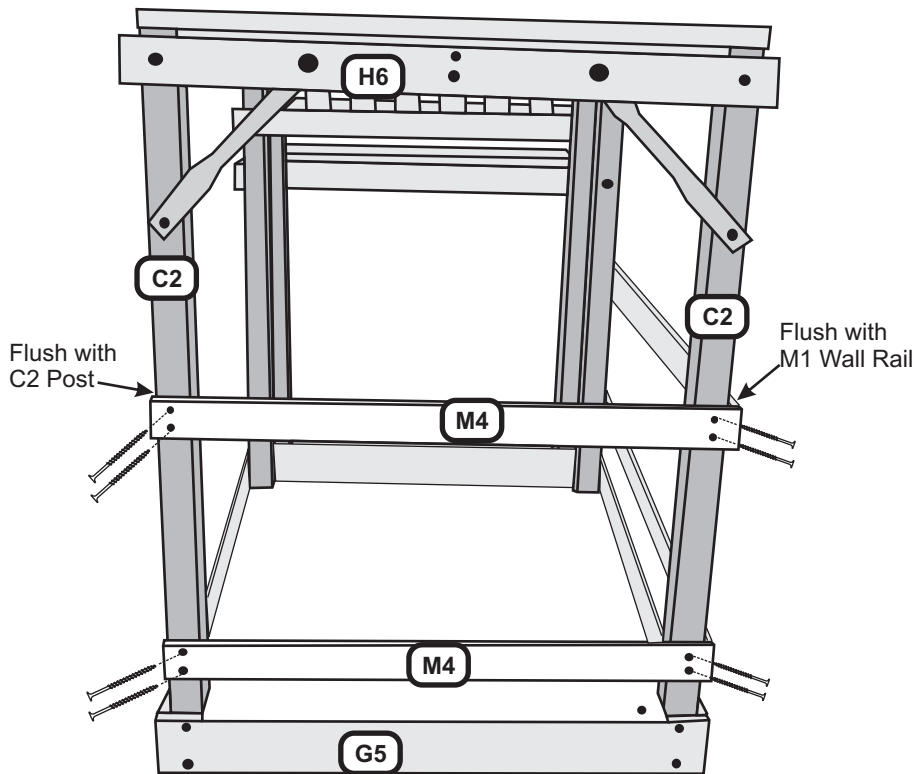
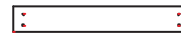
Front

### STEP 43

Attach M1 Bottom Wall Rail to C2 and C1 Posts flushing M1 to outside of C2 Posts. Measure up 3-1/2" from G1 Baseboard at front of Set and mark C2 and C1 Posts. Attach M1 with mark to bottom of Rail using 2" Wood Screws. Now measure up 24" from G1 Baseboard and mark Post again. Place bottom of M1 Rail with mark and attach to C2 and C1 Posts using 2" Wood Screws.

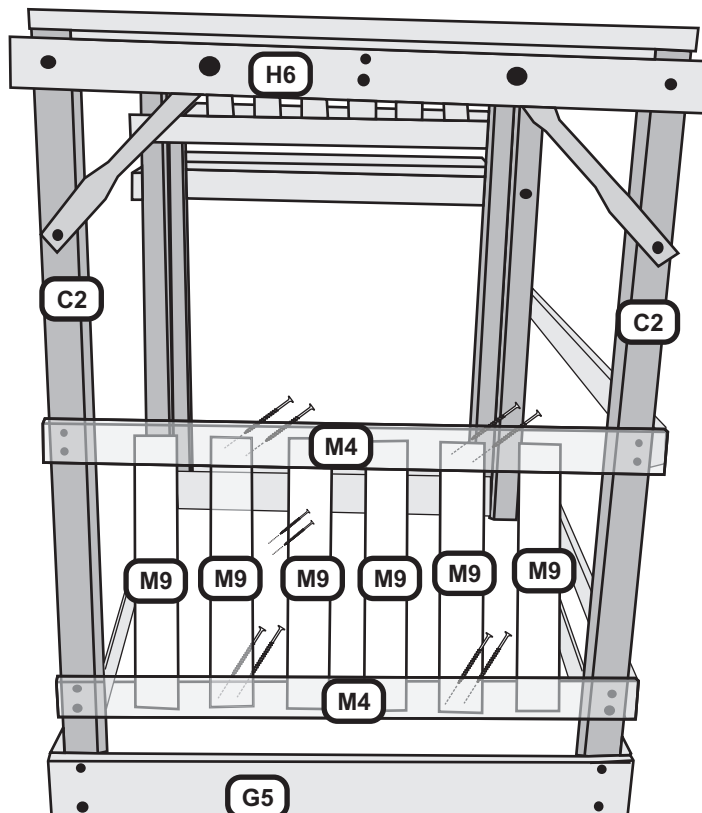
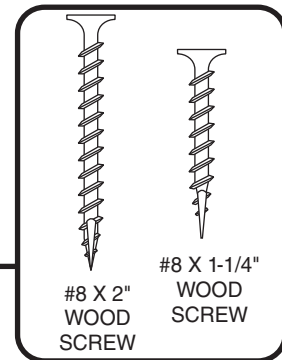
M4 Wall Rail \* 4 Holes \* 2 Req  
11/16 x 3-3/8 x 45-3/4 [ 1.74 x 8.57 x 116.21 ]

M9 Wall Board \* 4 Holes \* 23 Req  
11/16 x 3-3/8 x 23 [ 1.74 x 8.57 x 58.42 ]



#### STEP 44

Attach M4 Wall Rails, noting pre-drilled holes in M4 Rail at 1-1/2" from edge towards C2 Post at backside of Set. Flush M4 to outside of M1 Wall Rails and fasten to C2 Post using 2" Wood Screws. Now level across to the other C2 Post and attach there with 2" Wood Screws.



#### STEP 45

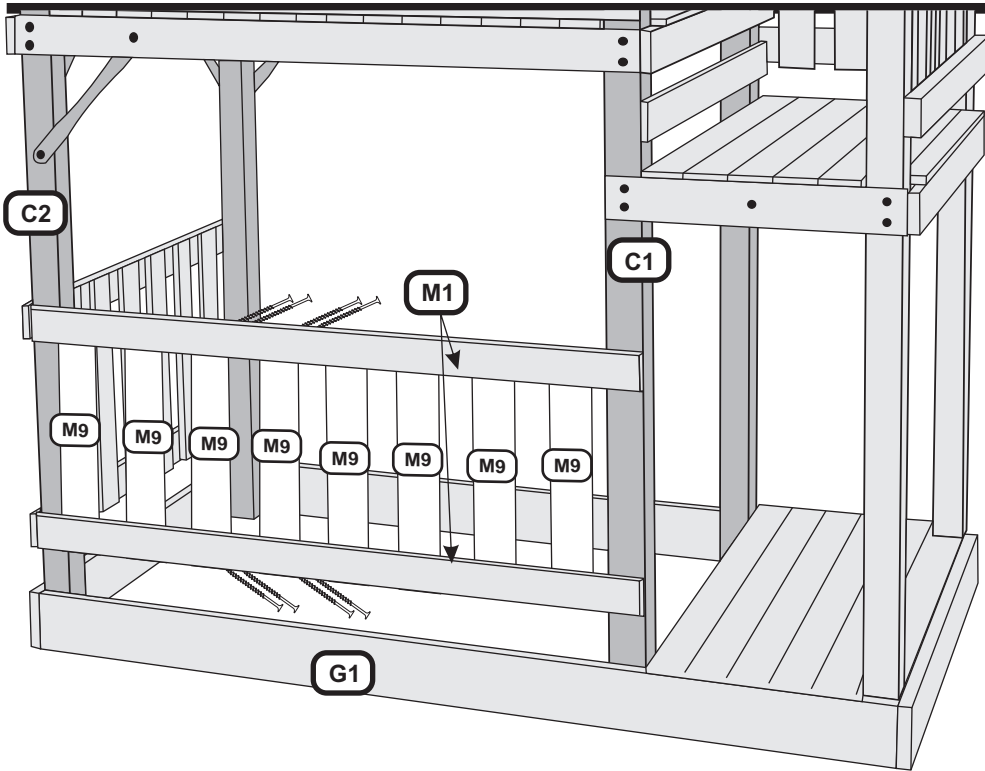
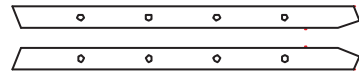
Attach six M9 Wall Boards to inside of M4 Wall Rails approximately 2-3/4" apart using 1-1/4" Wood Screws.

M9 Wall Board \* 4 Holes \* 23 Req  
 11/16 x 3-3/8 x 23 [ 1.74 x 8.57 x 58.42 ]

E1 Entry Ladder Rail \* 4 Holes \* 1 Set Left & Right Req  
 1-3/8 x 3-3/8 x 52 [ 3.49 x 8.57 x 132.08 ]

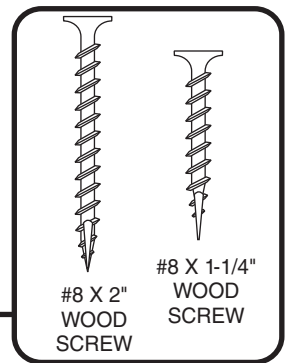
M11 Entry Ladder Support \* 4 Holes \* 1 Req  
 11/16 x 3-3/8 x 16 [ 1.74 x 8.57 x 40.64 ]

15 1/4" METAL DOWELS  
**Y28** 4 REQUIRED



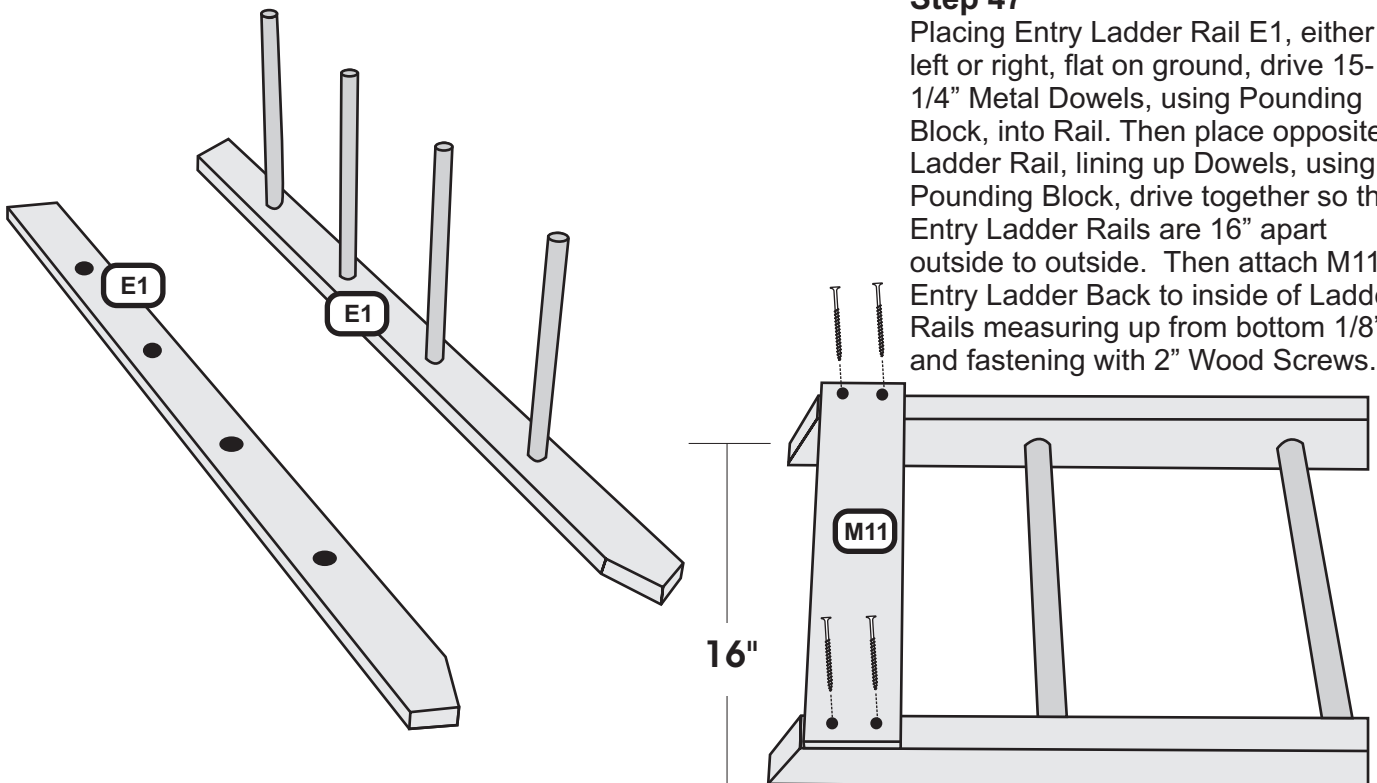
**STEP 46**

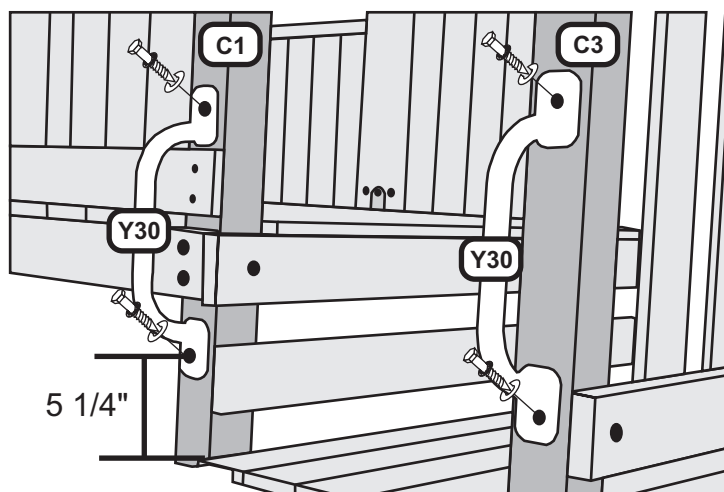
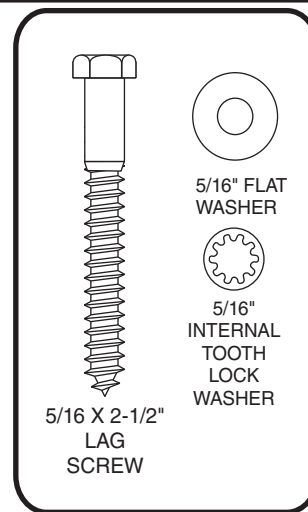
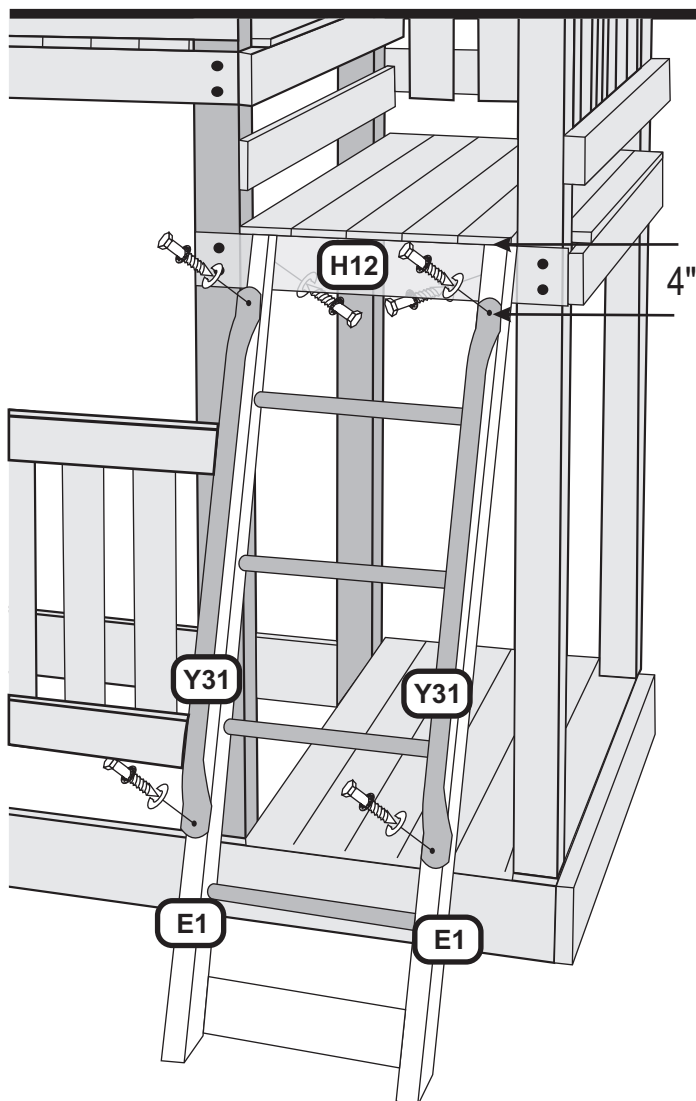
Attach eight M9 Wall Boards to the inside of M1s spacing approximately 2-3/4" apart, again using 1 1/4" Wood Screws.



**Step 47**

Placing Entry Ladder Rail E1, either left or right, flat on ground, drive 15-1/4" Metal Dowels, using Pounding Block, into Rail. Then place opposite Ladder Rail, lining up Dowels, using Pounding Block, drive together so that Entry Ladder Rails are 16" apart outside to outside. Then attach M11 Entry Ladder Back to inside of Ladder Rails measuring up from bottom 1/8" and fastening with 2" Wood Screws.





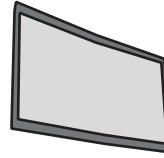
### STEP 48

Stand Entry Ladder up and line up Ladder Rails with pre-drilled holes and H12 Floor Rail and using 3/16" drill bit pilot hole Entry Ladder Rails. Then fasten ladder assembly using 2-1/2" Lag Screws, Internal Tooth Lock Washers and Flat Washers through H12 Floor Rail into Entry Ladder Rails.

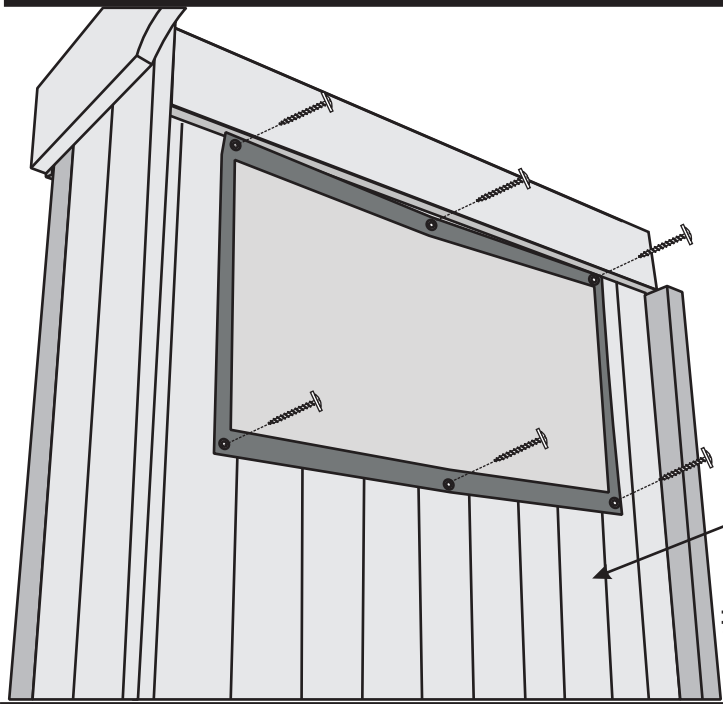
At this point, attach Y31 metal grip to ladder rails. Measure down 4" from top edge and drill a pilot hole in center of the board with 3/16" drill bit. Attach handles at these points using 2 1/2" lag screw, lock washer and flat washer. Now use hole in bottom of handle as guide to pilot drill and finish attaching with 2 1/2" lag screw, lock washer and flat washer.

### STEP 49

Measure up 5-1/4" from H12 Floor Rails and mark center of C1 and C3 Posts. Pilot drill using 3/16" drill bit. Now Attach Y30 Metal Hand Grips to each Post with 5/16 x 2-1/2" Lag Screws, Internal Tooth Lock Washers and Flat Washers. Using hole in Y30 Hand Grip in top as guide, pilot drill and finish attaching with 2-1/2" Lag Screws, Internal Tooth Lock Washers and Flat Washers.



**5007**  
**GREEN MESH**  
**WINDOW**  
 1 13x23

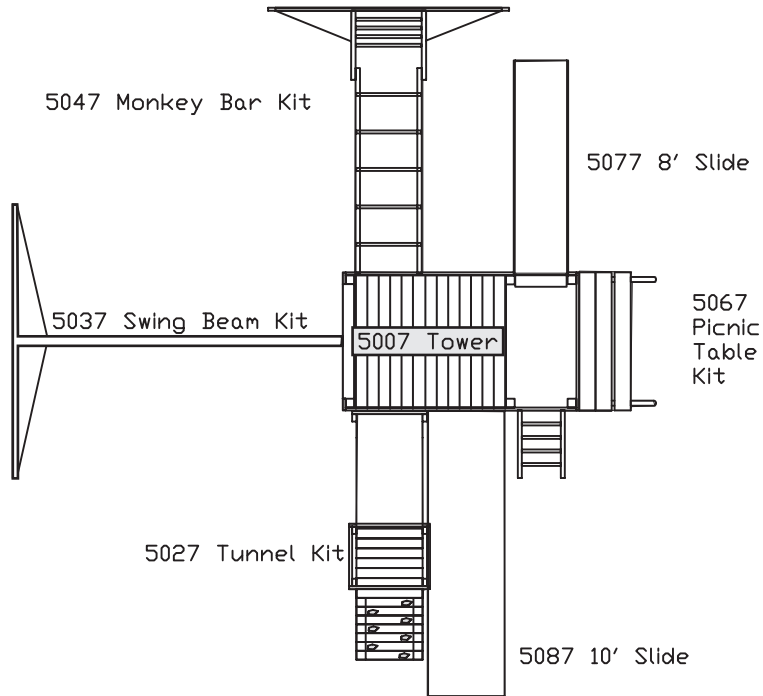


**STEP 50**  
 Install Window Mesh at top and bottom **INSIDE** of Window using 3/4" Washer Head Screws.

Inside Tower

**#8 X 3/4" WASHER HEAD SCREW**

***Your Lowe's 5007 Next Generation Tower is now finished.***



***Here is a layout for Accessories that you may add to your Tower which can be purchased at your Lowe's Stores.***

# MAINTENANCE

## ***REQUIRED PERIODIC MAINTENANCE***

All outdoor wooden products, including Playground, Inc products, require routine inspection and regular maintenance. After installation, a follow-up inspection should take place after one week and twice a month thereafter for the remaining life of your play products. Maintenance should be performed at any time it is deemed necessary. As a general rule, major maintenance (wood refinishing) should be performed at twelve month intervals from the date of installation. Inspect and perform maintenance based on the following checklist.

**Major wood parts:** inspect for splintering and structural defects. If necessary, lightly sand and refinish with an exterior water repellent stain.

**Hardware:** inspect for tightness. Be certain that hardware is firmly against, but not crushing the wood. Over-tightening hardware crushes wood fibers and splits wooden components and could result in the bolt threads extending beyond the wood and presenting a severe safety hazard. If splintering has occurred from over tightening, larger washers can be purchased at your local hardware store and installed under the bolt head. Be sure to reuse or replace your lock washers.

If over-tightening has caused the bolt threads to protrude beyond the wood surface, replace the bolt with a shorter one that will not protrude. These bolts are standard items and can be purchased at your local hardware store.

**Swing hangers:** check to insure correct installation. Make sure that the bend of the swing hanger is positioned tightly against the stop washer and the ladder or swing beam. The axis of the swing hanger bushing must be perpendicular to the swing motion. If squeaking occurs, the nylon bushings can be sprayed with WD-40 or other household lubricant. Oil all metallic moving parts monthly during the usage period.

Check swings seats, ropes, cables, and chains monthly during usage season for evidence of deterioration. Replacement should be made in accordance with manufacturer's instructions.

**Metal components:** sand rusted areas on painted components and repaint using a non-lead based paint meeting the requirements of Title 16 CFR Part 1303.

**Winterizing Your Play Set:** remove plastic swing seats, trapeze bar, slide, and other plastic components and take indoors or do not use when the temperature drops below 20° F.

In the event that your set needs to be dismantled and disposed of due to storm damage, age, or other cause, make sure that you check your local city and state regulations or with your sanitation department for the proper method and means of disposal. Please dispose of the unit in such a way that no unreasonable hazards will exist (sharp edges, broken parts, and exposed screws) at the time it is discarded.

## COMMONLY ASKED QUESTIONS AND ANSWERS

This section addresses some specific issues sometimes encountered during and after the assembly. Most are re-emphasis of items covered in detail elsewhere in this manual.

**Question: *Now that my playset product is assembled and installed, will I have to do anything to it?***

**Answer:** Yes. You must provide routine inspections and regular maintenance. These procedures are covered in the "required periodic maintenance" section.

**Question: *How often should my assembled playset product be inspected?***

**Answer:** An initial inspection should take place one week after installation and twice a month thereafter for the remaining life of your playset product.

**Question: *When should the necessary maintenance be performed?***

**Answer:** Generally speaking, at the beginning of each season or as often as may be deemed necessary from an inspection. Major maintenance (primarily a thorough inspection and re-staining) should be performed at twelve-month intervals from the date of installation.

**Question: *How do I know when my playset product needs refinishing?***

**Answer:** If water is absorbed into the wood, it's time to refinish your product. If, however, water beads and rolls off the wood, surfaces are protected.

**Question: *Why does it seem that my playset product is developing cracks?***

**Answer:** The correct terminology for what appears to be cracks is "wood checks". A check is the radial separation of wood fibers running with the grain of wood caused by varying temperatures and moisture conditions. These checks will develop on the surface and end grains of the wood as an unavoidable aspect of the natural weathering process of all wood exposed to the elements. Checks occur after the wood has been wet, and outside surfaces dry faster than inside surfaces. Checks mainly affect the aesthetics of your play products and not its strength or durability. An exterior water repellent stain slows down the checking process because it reduces the amount of water that penetrates the wood.

**Question: *Why is there so much movement in my play product, especially the top supports? It looks as if the wood will break?***

**Answer:** Because the structure is wooden rather than concrete or steel, movement is not only natural, but required. We have a saying... "if the branch doesn't bend, it will break." your play product has been designed to accommodate as many children as there are play positions. We recommend a maximum of 150 lbs. per child for play activities designed for individual use, and 120 lbs for multiple use activities. Please remember that your play product has been engineered for children 2 to 10 years old.

**Question: *Why is my play product rocking?***

**Answer:** Rocking is caused by uneven ground under the base pieces. After a short period of time, your play product should settle into place and the ground stakes will provide proper stability. However, if rocks or roots surface under the base support pieces, these protrusions must be removed or the play product relocated to another area in order to eliminate rocking.

Question: ***Why is my play product leaning (racking)?***

Answer: Leaning occurs in play products installed on uneven ground. Realignment will be necessary and is covered in the "required periodic maintenance" section of this manual

Question: ***What can I do about squeaking swing connector hangers?***

Answer: To eliminate the squeak, spray the nylon bushings with WD-40 or other household lubricant. Some families like the squeaking as it allows them to hear where the children are playing.

Question: ***Why is the wood splintering under the bolts when I tighten the hardware?***

Answer: Wood will splinter when compressed. The compression caused by over-tightening fractures wood fibers and is an indication that you are cranking down too hard on the hardware. If splintering has occurred, we recommend that you purchase larger diameter flat washers to install under the head of the bolts.

Question: ***Why does my play product have mold growing on it? What can I do to remove it and keep it clean of mold and mildew?***

Answer: Because the structure is wooden rather than concrete or steel, in areas of high humidity mold and/or mildew may occur. A solution of 1 part bleach, 2 parts water applied with a sponge should clean the problem areas. Once the solution is dry, a water sealant should be applied to the entire swingset.

Question: ***What if my ground stakes won't go in the ground?***

Answer: If your ground is too hard, you can purchase metal anchors from your local hardware store.

Question: ***What if my ground stakes won't stay in the ground?***

Answer: This is probably caused by your ground being too soft. The ground stakes can be concreted or cemented into the ground. Do not concrete or cement the playset itself, only the ground stakes.

Question: ***Who can I hire to assemble my playset?***

Answer: We do not suggest assemblers. Please refer to your yellow pages or ask for a recommendation from where you purchased your playset.

# FOR YOUR RECORDS

WHERE PURCHASED: \_\_\_\_\_

PURCHASE DATE: \_\_\_\_\_ INSTALLATION DATE: \_\_\_\_\_

MODEL NAME & NUMBER MODEL #5007 • Next Generation

## PLEASE READ THIS BOOKLET COMPLETELY BEFORE BEGINNING THE ASSEMBLY PROCESS.

THIS MANUAL HAS BEEN PREPARED TO HELP YOU AND YOUR FAMILY ACHIEVE FULL BENEFIT FROM YOUR LEISURE TIME PRODUCTS, INC. BACKYARD PLAYSET. IT CONTAINS HELPFUL INFORMATION CONCERNING ASSEMBLY PREPARATION, INSTALLATION PROCEDURE, REQUIRED MAINTENANCE, REPLACEMENT PARTS, AND SHOULD THE SITUATION OCCUR, THE PROCEDURE FOR FILING A WARRANTY CLAIM.

PLEASE VALIDATE YOUR WARRANTY BY COMPLETING THE WARRANTY INFORMATION CARD AND RETURN IT TO US WITHIN 30 DAYS OF INSTALLATION. THIS INFORMATION IS USED EXCLUSIVELY FOR INTERNAL PURPOSES AND AS A VERIFICATION IF NECESSARY.

THE WARRANTY ON LEISURE TIME PRODUCTS, INC. PLAY PRODUCTS IS VALID TO THE ORIGINAL PURCHASER AND IS NOT TRANSFERABLE. IT SHOULD BE NOTED THAT LEISURE TIME PRODUCTS, INC. CANNOT ASSUME ANY RESPONSIBILITY FOR MODIFICATION, OR ACCESSORIES ADDED TO THIS PRODUCT OTHER THAN THOSE MANUFACTURED AND SOLD BY LEISURE TIME PRODUCTS, INC.

THIS PRODUCT HAS BEEN DESIGNED FOR RESIDENTIAL USE ONLY. THE WARRANTY BECOMES VOID WHEN USED IN A DAYCARE, PRESCHOOL, NURSERY SCHOOL, RECREATIONAL PARK OR ANY OTHER SIMILAR COMMERCIAL APPLICATION.

FOR WARRANTY CLAIM PURPOSES, YOU MUST RETAIN YOUR SALES RECEIPT OR OTHER MEANS OF PROOF-OF-PURCHASE. YOU SHOULD ALSO KEEP THIS BOOKLET FOR FUTURE REFERENCE. PLEASE ATTACH THE SALES RECEIPT TO THE INSIDE COVER OF THIS BOOKLET FOR FUTURE REFERENCE.

### 5 YEAR PRO-RATE WARRANTY

Subject to normal use, *LEISURE TIME PRODUCTS, INC.* warrants, to the original purchaser, all products to be free from workmanship defects for a period of one year from the date of original purchase.

The lumber in all *LEISURE TIME PRODUCTS, INC.* Ready-to Assemble sets is covered by a 5 year pro-rated warranty against wood rot and termite damage.

Non-wooden parts such as hardware, roped or chained accessories, slides, metal or plastic components, and canopies carry a one year warranty.

It is the customer's responsibility to perform regular inspections and maintenance to insure that the product is not prematurely aging. These inspections would include an evaluation of the stained finish, all ropes, chains, hardware, plastic and wooden components. A complete listing of replacement parts is available through your *LEISURE TIME PRODUCTS, INC.* Customer Service Department.

This Limited Warranty does not cover the labor or cost of labor for replacement of the defective item; the cost of freight after the initial 30 day period; any incidental or consequential damages, cosmetic defects which do not affect the structural integrity of the unit; items damaged due to vandalism, acts of God, improper usage, improper installation or other abnormal conditions. Seasonal checks and surface cracks are natural characteristics of all outdoor wooden play equipment, and are not considered defects nor covered under this warranty. *LEISURE TIME PRODUCTS, INC.* cannot assume any responsibility for modification to, or accessories added to this product, other than those sold by *LEISURE TIME PRODUCTS, INC.*

This warranty covers residential installations only as the product has not been designed for, nor will perform safely, in any commercial application. This warranty gives you specific legal rights and you may also have other rights which vary from state to state. This warranty excludes all consequential damages. Some states do not allow the limitation or exclusion of consequential damages so the above limitation may not apply to you.

Special Note: We reserve the right to make changes in material and design without notice.

DETACH HERE AND MAIL

### LEISURE TIME PRODUCTS, INC. WARRANTY CARD

NAME \_\_\_\_\_

ADDRESS \_\_\_\_\_

CITY \_\_\_\_\_ ST \_\_\_\_\_ ZIP \_\_\_\_\_

PHONE (\_\_\_\_) \_\_\_\_\_

MODEL NO./NAME \_\_\_\_\_

WHERE PURCHASED \_\_\_\_\_

DATE PURCHASED \_\_\_\_\_

RETAIL PRICE PAID \_\_\_\_\_

INSTALLATION DATE \_\_\_\_\_

PRODUCT SATISFACTION:    EXCELLENT    GOOD    FAIR    POOR  
(CIRCLE ONE ABOVE)

I HAVE READ THE ASSEMBLY BOOKLET AND UNDERSTAND MY RESPONSIBILITY TO MAINTAIN MY PLAY PRODUCT AND TO INSTRUCT MY CHILDREN ON PROPER PLAY AND SAFETY PROCEDURES. I ALSO UNDERSTAND THAT ALL CHILDREN THAT UTILIZE MY PLAY PRODUCT ARE TO BE SUPERVISED AT ALL TIMES.

PARENT/OWNER \_\_\_\_\_

DATE \_\_\_\_\_

COMMENTS: \_\_\_\_\_

## WARRANTY

**LEISURE TIME PRODUCTS**

# Next Generation

-----  
DETACH HERE AND MAIL

=====

**WARRANTY REGISTRATION CARD**

=====

Leisure Time Products, Inc.  
P.O. Box 459  
Siloam Springs, AR 72761

PLACE  
POSTAGE  
HERE

LEISURE TIME PRODUCTS, INC.  
P.O. Box 459  
Siloam Springs, AR 72761  
1-866-362-1123 Toll Free  
Office hours: 7am - 4pm, Mon-Fri, Central Time