

**Model  
#6309**



**Oasis  
Garden  
8' x 8'**



**Assembly Requires Two Moderately  
Skilled People 6-8 Hours.**

**If you need assistance with parts or have assembly questions, please call Customer Service  
at **800-765-4138****

**Please read the entire instruction manual carefully before proceeding with the assembly or use.  
SAVE THIS MANUAL for future reference in the event that you need to contact us for assistance or  
replacement part information and ordering.**

### **YOUR WARRANTY**

**Leisure Time Products, Inc., provides a 1-year pro-rated limited warranty.  
See inside back cover of this manual for details.**

**LEISURE TIME PRODUCTS INC.**

For Residential Use Only



## PLEASE READ THIS BEFORE STARTING ASSEMBLY



- IT WILL TAKE TWO SKILLED WORKERS ABOUT 8 HOURS TO COMPLETE THE ASSEMBLY OF THIS PRODUCT.
- READ THE ASSEMBLY MANUAL COMPLETELY, PAYING SPECIAL ATTENTION TO THE IMPORTANT TIPS AND SAFETY INFORMATION.
- AFTER YOU HAVE READ THE ASSEMBLY MANUAL, YOU WILL BE ABLE TO DECIDE IF YOU NEED PROFESSIONAL HELP TO COMPLETE THE ASSEMBLY OF THE GARDEN
- SEPARATE AND IDENTIFY ALL PARTS TO MAKE SURE THAT YOU HAVE ALL OF THE PARTS LISTED.
- IF YOU CAN'T FIND ALL OF THE PARTS, CHECK THE PACKING MATERIAL. SMALL PARTS MAY HAVE FALLEN INTO IT DURING SHIPMENT.
- IF YOU HAVE PROBLEMS WITH THE ASSEMBLY OR IF ANY PART IS MISSING OR DAMAGED, PLEASE CALL THE HELP LINE 1-800-765-4138

PLEASE HAVE THE FOLLOWING INFORMATION WHEN YOU MAKE YOUR CALL:

- 1-MODEL NUMBER OF THE PRODUCT LOCATED ON THE FRONT OF THE ASSEMBLY MANUAL
- 2-DESCRIPTION OF THE PART FROM THE PARTS LIST

# IMPORTANT TIPS FOR ASSEMBLY

Prior to assembling your garden product, take a thorough inventory of all components using the parts list supplied in this manual.

Sort and lay out all wood pieces, matching identical pieces into piles, for quick reference and identification.

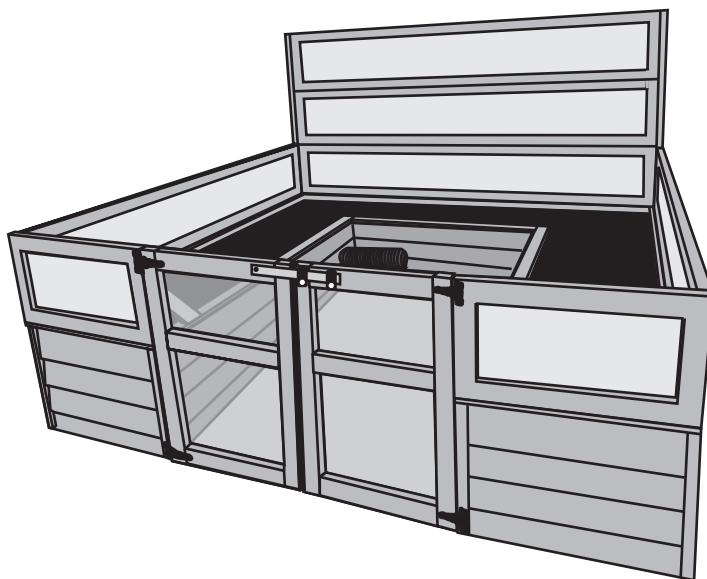
Sort all hardware according to size. Refer to parts identification section. Selecting the wrong hardware during early assembly will lead to shortages. Finding extra hardware is not cause for alarm. We often include extra hardware in case parts are lost during assembly.

Selecting the correct location for your garden product is very important for your product's longevity. Your garden center must be installed on **level ground**. Installation on sloping ground will cause your set to "lean" and, in time, this leaning will put stress on all the joints. This stress will cause the set to become loose and unstable. Once this occurs, it becomes difficult to correct, and Leisure Time Products, Inc. cannot assume responsibility for any failure from incorrect installation. Uneven ground must be properly leveled before installation.

**Warping:** Occasionally, some wooden components may twist or warp in the carton after packaging. This is not necessarily a cause for alarm. In most instances, these parts straighten out when assembled. Seasonal checking or cracking of the grain on wooden parts is also quite natural. Water and heat are the two most frequent causes of expansion and contraction of wood fibers.

**We recommend that you apply a wood sealant or protectant at least once per year. There are many excellent products, such as Thompson's Waterseal, Behr Wood Conditioner, Olympic Water Guard or Olympic Wood Protector. Please check with your local home improvement center to see what they recommend for your area conditions. Proper care and maintenance will help maintain the beauty of the set as well as gain the maximum life of the unit.**

**Metal plates:** The structural integrity of the play product is dependent upon the proper installation of the metal plates. As noted and diagramed in these assembly instructions, the installation of these metal plates must also be followed precisely.



**SEE PAGES 19 THRU 20 FOR MAINTENANCE TIPS**

# SAFETY AND ASSEMBLY INFORMATION

PLEASE TAKE TIME TO READ ALL INSTRUCTIONS COMPLETELY.

## WARNING

Small components of your garden center represent a choking hazard to children. Do not allow access to packaging, nuts, bolts, washers or other small parts. Garden center modification is forbidden. Any modifications to your play center will affect its structural integrity and render the warranty null and void.

## Tools and Materials Required:

10 ft. Tape Measure

Screwdriver (#2 Phillips)

Wrench, Sockets or Nut Drivers(1/2")

Drill Bits: 1/8", 3/16"

Framing Square or Level

Electric or Cordless Drill

Beeswax or Soap

(Used to lubricate screw threads)

**HAVING THE PROPER TOOLS ON HAND WILL EASE AND  
REDUCE THE ASSEMBLY TIME OF YOUR NEW PLAYHOUSE.**

## Assembly Safety:

- Keep the work area clean and clear of obstructions.
- Children should stay out of the work area until the garden has been completely assembled.
- Some parts of the assembly process may require help from another competent adult.
- Follow the manufacturers' safety recommendations for the tools and equipment you use.
- **Avoid assembling your product in poor weather conditions.**
- **Wear proper clothing and safety equipment (safety glasses, boots and gloves) while assembling your garden center.**

**THE WOODEN PARTS FOR YOUR GARDEN CENTER ARE MADE FROM  
CYPRESS AND OTHER UNTREATED NATURALLY DECAY RESISTANT LUMBER.**

**SELECTING THE CORRECT LOCATION FOR YOUR PRODUCT IS IMPORTANT  
FOR THE PRODUCT'S LONGEVITY.**

**WE RECOMMEND THAT THE GARDEN IS EXPOSED TO 6 HOURS OF SUNLIGHT.**

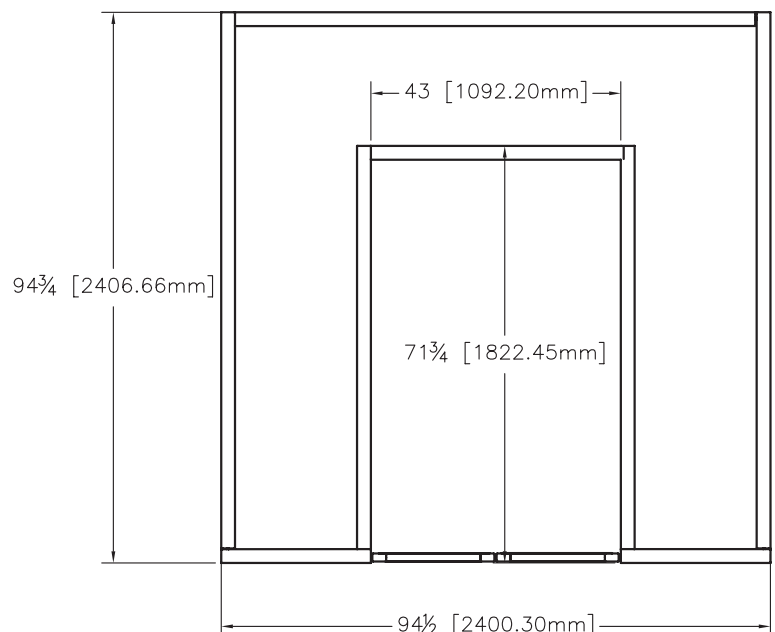
## Dimensions:

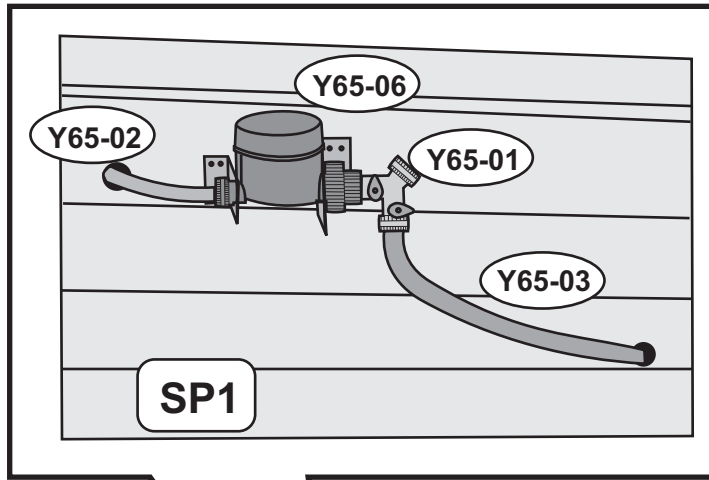
- The Backyard Botanical Garden has One layout option.

Layout	Ground Dimension
	94 1/2" x 94 3/4"

## General Information:

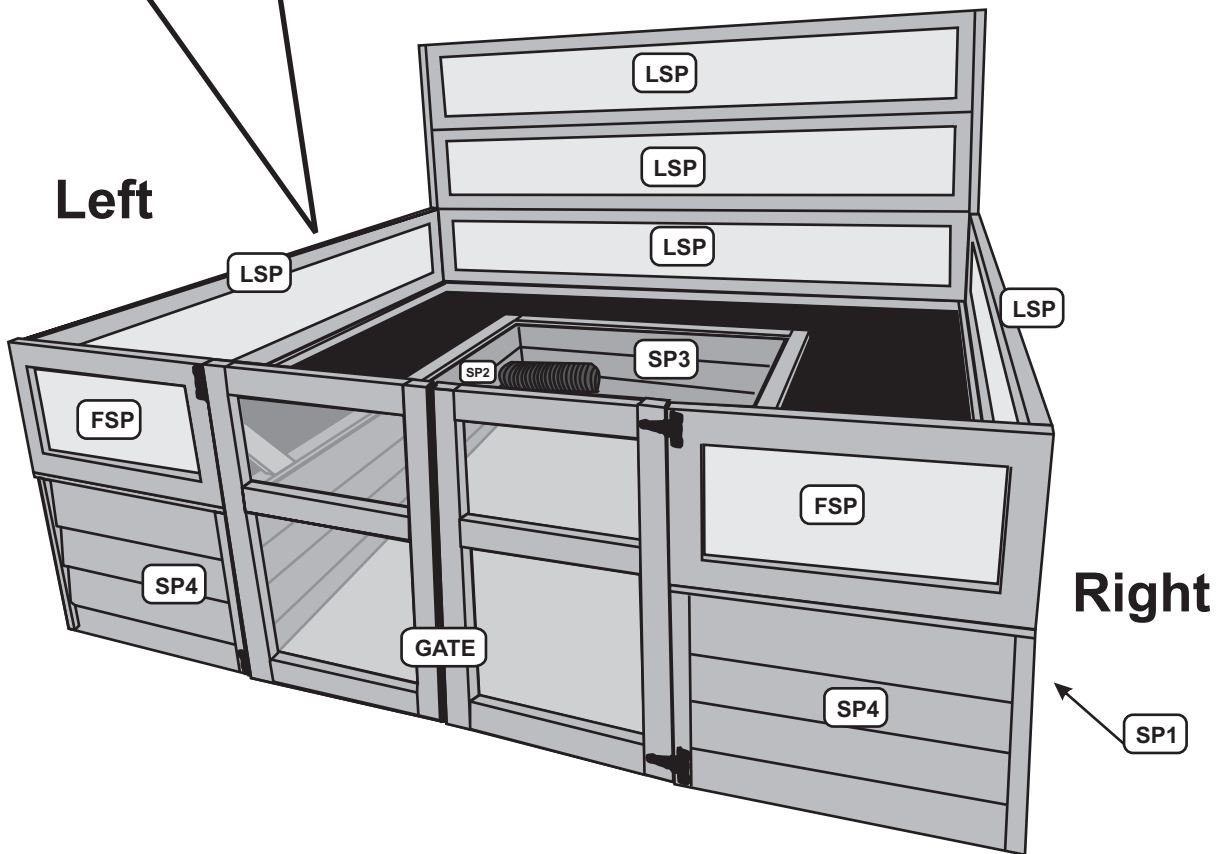
Your set has been designed and engineered for residential use only.





**Back**

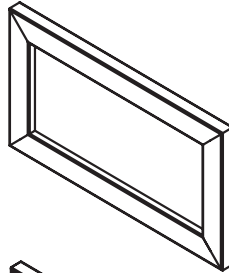
**Left**



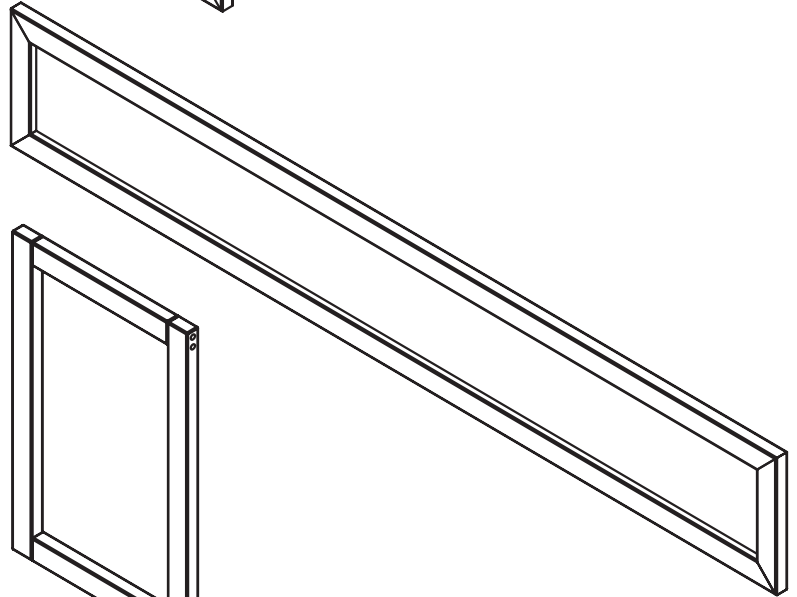
**Right**

**Front**

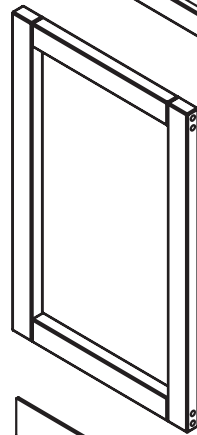
**FSP**  
**FRONT SCREEN PANEL ASSEMBLY**  
**2 REQUIRED - 14 x 25.5 (35.56 x 64.77)**



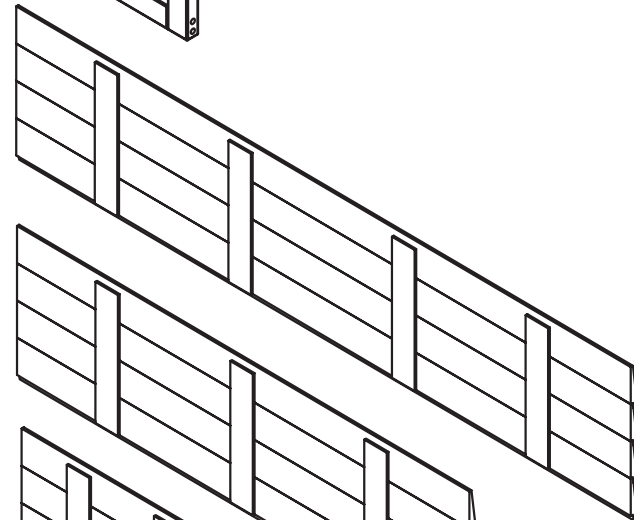
**LSP**  
**LONG SCREEN PANEL ASSEMBLY**  
**5 REQUIRED - 14 x 91.75 (35.56 x 233.05)**



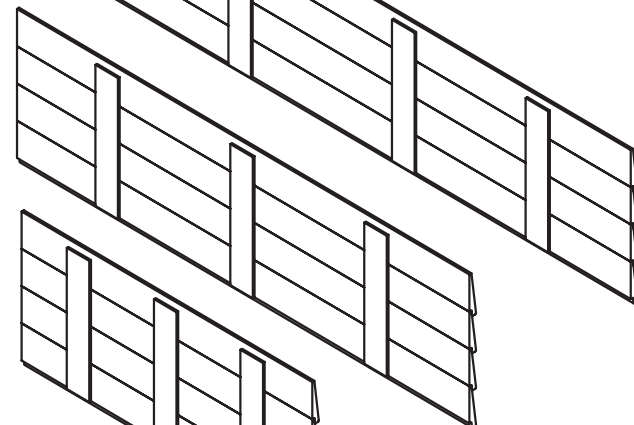
**GATE**  
**GATE ASSEMBLY**  
**2 REQUIRED 21 x 32.5 [53.34 x 82.55]**



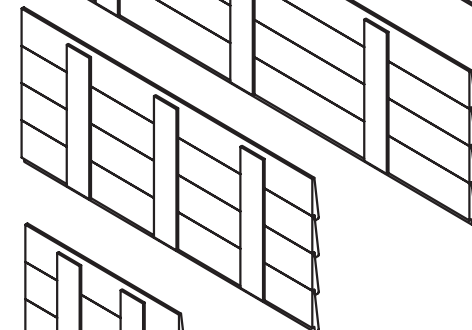
**SP1**  
**LONG SIDE PANEL ASSEMBLY**  
**3 REQUIRED - 92 x 19.75 [233.68 x 50.17]**



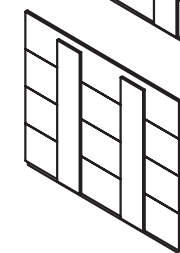
**SP2**  
**INNER SIDE PANEL ASSEMBLY**  
**2 REQUIRED - 67.75 x 19.75 [172.09 x 50.17]**



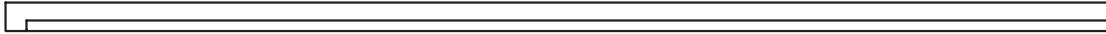
**SP3**  
**CENTER SIDE PANEL ASSEMBLY**  
**1 REQUIRED - 43.5 x 19.75 [110.49 x 50.17]**



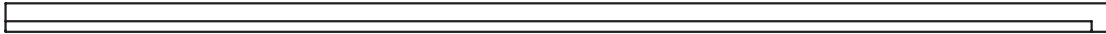
**SP4**  
**FRONT SIDE PANEL ASSEMBLY**  
**2 REQUIRED - 23 x 19.75 [58.42 x 50.17]**



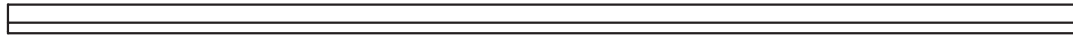
**F5L - LEFT TOP RAIL - NO HOLES - 1 REQUIRED - 1.375 x 2.375 x 92.25 [3.49 x 6.03 x 234.32]**



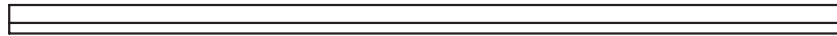
**F5R - RIGHT TOP RAIL - NO HOLES - 1 REQUIRED - 1.375 x 2.375 x 92.25 [3.49 x 6.03 x 234.32]**



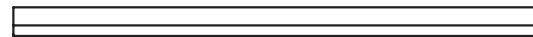
**F6 - TOP RAIL - NO HOLES - 1 REQUIRED - 1.375 x 2.375 x 89.5 [3.49 x 6.03 x 227.33]**



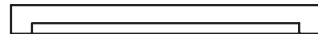
**F7 - TOP RAIL - NO HOLES - 2 REQUIRED - 1.375 x 2.375 x 69.375 [3.49 x 6.03 x 176.21]**



**F8 - TOP RAIL - NO HOLES - 1 REQUIRED - 1.375 x 2.375 x 43.5 [3.49 x 6.03 x 110.49]**



**F9 - TOP RAIL - NO HOLES - 2 REQUIRED - 1.375 x 2.375 x 25.75 [3.49 x 6.03 x 65.41]**



**F12 - ANGLE BRACE - NO HOLES - 2 REQUIRED - 1.375 x 2.375 x 14 [3.49 x 6.03 x 35.56]**



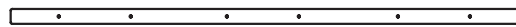
**G1 - CORNER BOARD - NO HOLES - 8 REQUIRED - 1.25 x 1.25 x 19.75 [3.18 x 3.18 x 50.17]**



**G2 - TUB SUPPORT LEG - NO HOLES - 30 REQUIRED - 1.25 x 1.25 x 7.25 [3.18 x 3.18 x 18.42]**



**G3 - BACK SCREEN SUPPORT - 8 HOLES - 2 REQUIRED - 1.25 x 1.25 x 42.25 [3.18 x 3.18 x 107.32]**



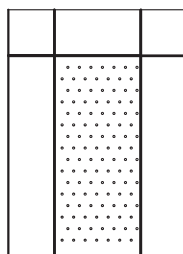
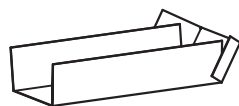
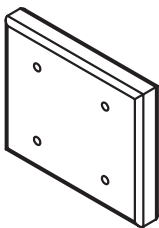
**P1 - TUB SUPPORT BOARD - 4 HOLES - 4 REQUIRED - .625 x 3.375 x 27 [1.59 x 8.57 x 68.58]**



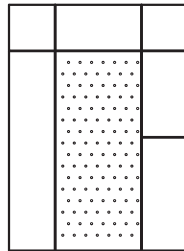
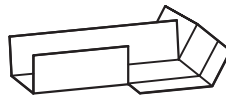
**P2 - TUB SUPPORT BOARD - 4 HOLES - 11 REQUIRED - .625 x 3.375 x 22.875 [1.59 x 8.57 x 58.10]**



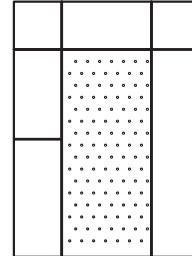
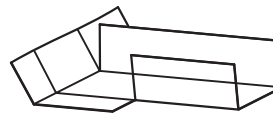
**SC2 - SCREEN SUPPORT CLEAT - 4 HOLES - 4 REQUIRED - .625 x 3.375 x 4 [1.59 x 8.57 x 10.16]**



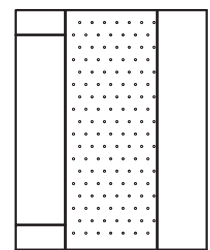
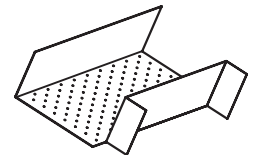
**X85-01**  
End Plastic Tub  
2 required



**X85-02L**  
Plastic Tub Left  
1 required



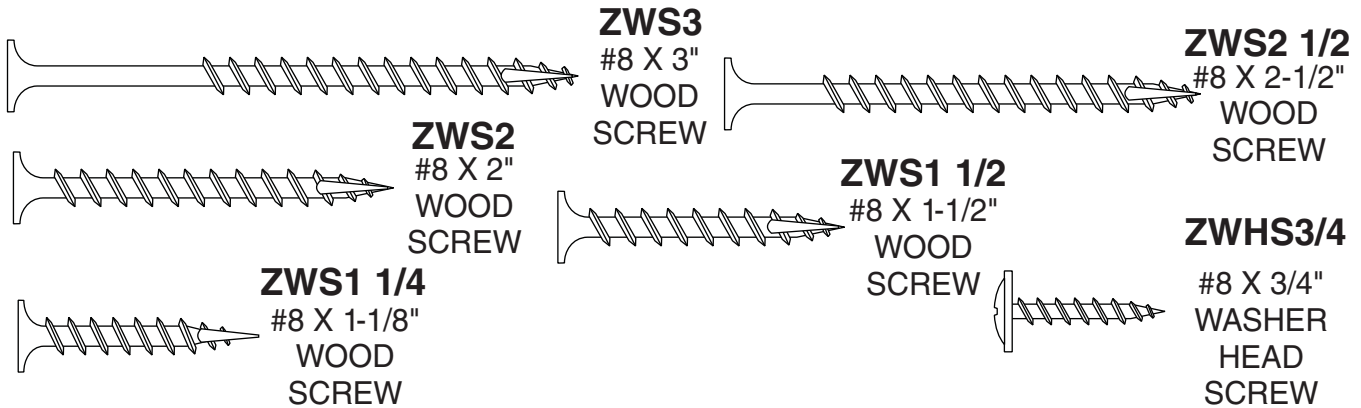
**X85-02R**  
Plastic Tub Right  
1 required



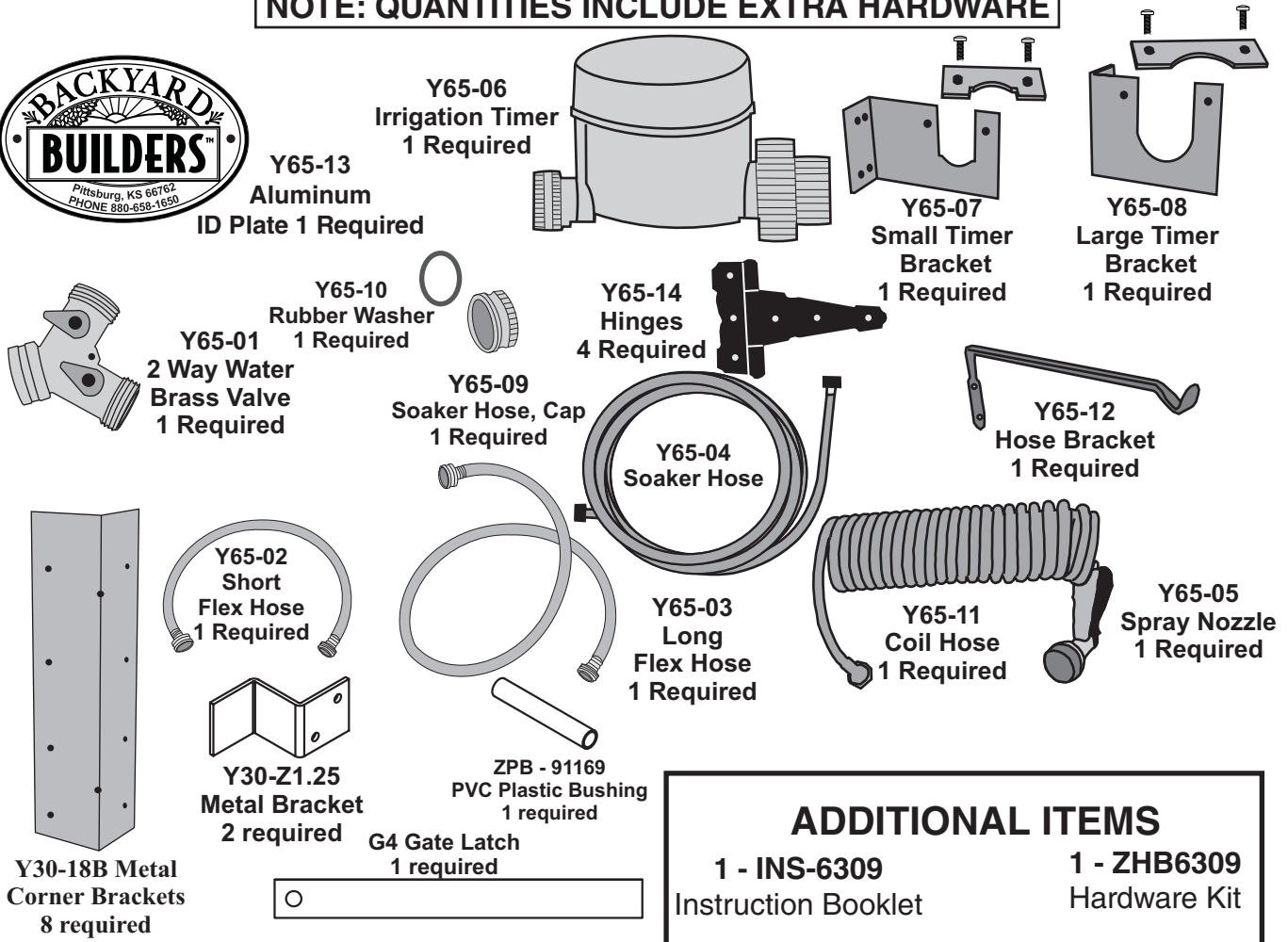
**X85-03**  
Center Plastic Tub  
1 required

# ZHB6309 Hardware Bag

PART	DESCRIPTION	QTY.
ZWS3	Wood Screw (#8 x 3" Type 17 w/nibs)	25
ZWS2 1/2	Wood Screw (#8 x 2 1/2" Type 17 w/nibs)	15
ZWS2	Wood Screw (#8 x 2" Type 17 w/nibs)	70
ZWS1 1/2	Wood Screw (#8 x 1 1/2" Type 17 w/nibs)	100
ZWS1 1/4	Wood Screw (#8 x 1 1/4" Type 17 w/nibs)	70
ZWHS3/4	Modified Truss Washer Head Screw (#8 x 3/4")	80



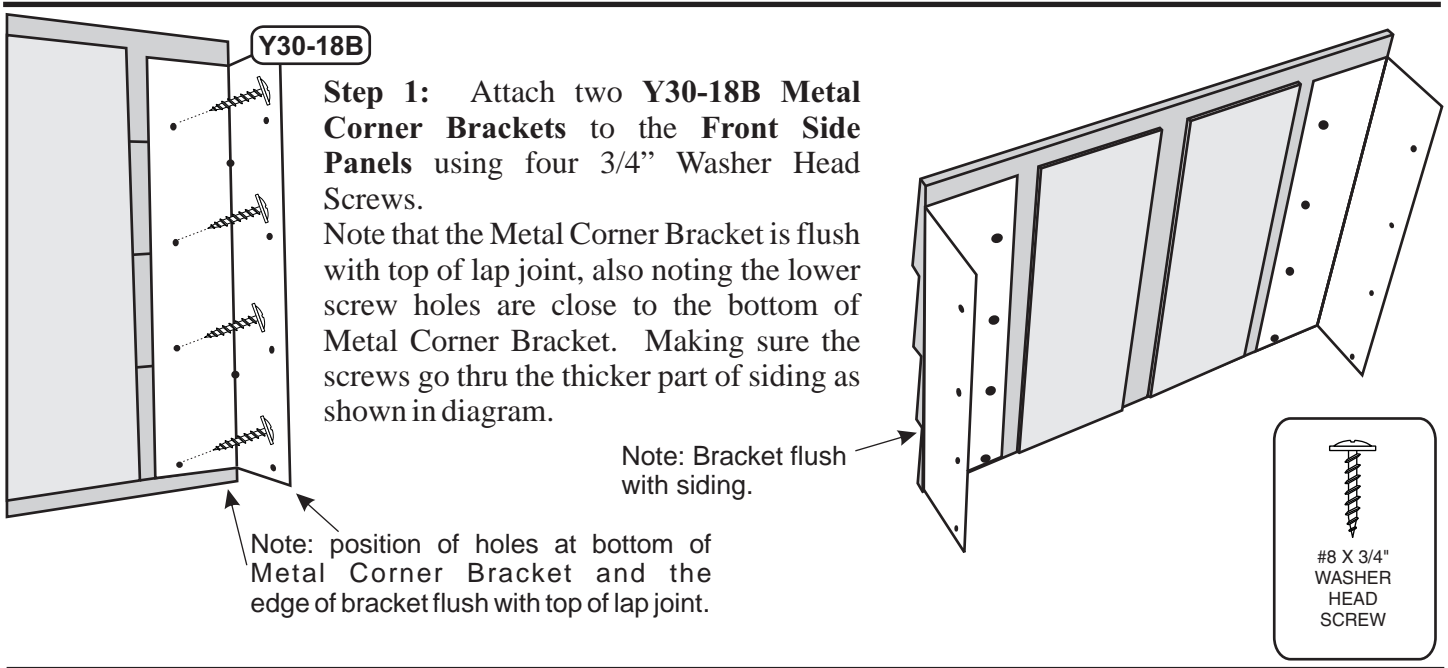
**NOTE: QUANTITIES INCLUDE EXTRA HARDWARE**



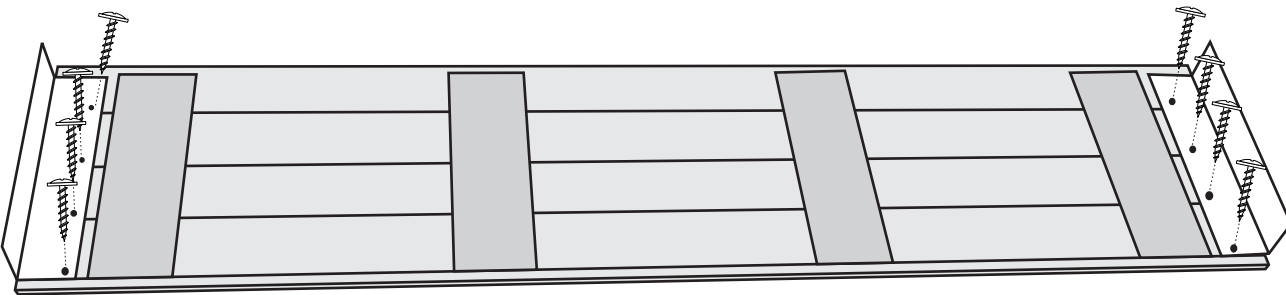
**ADDITIONAL ITEMS**

1 - INS-6309 Instruction Booklet

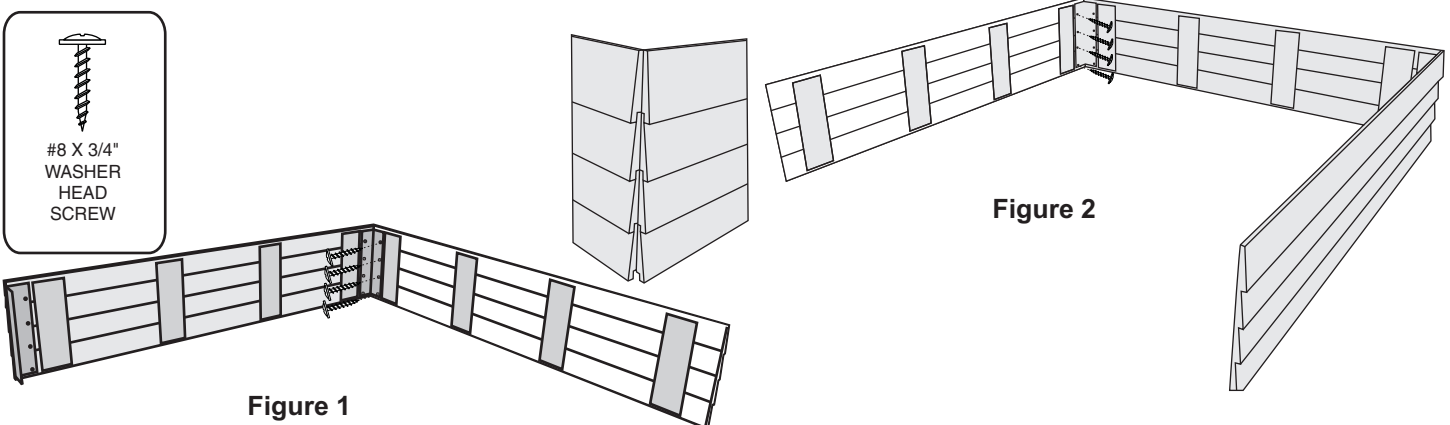
1 - ZHB6309 Hardware Kit



**Step 2:** Using **ONLY ONE** of the three **Long Side Panels** repeat the process from the Front Side Panels attaching to each end the Y30-18B Metal Corner Brackets.

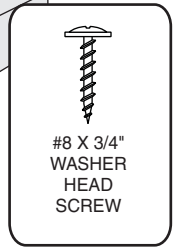
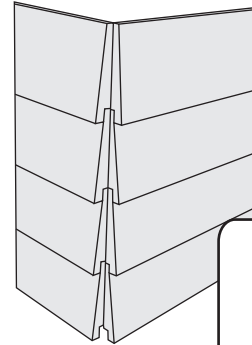
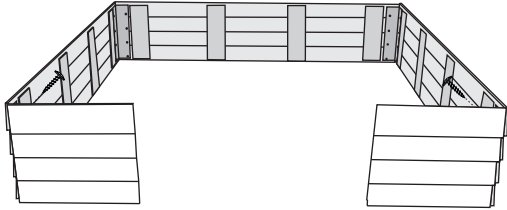


**Step 3:** Now take the other two Long Panels attach each one to ends of the other Long Panel with the already attached Y30-18B Metal Corner Brackets. Attach the third Long Side Panel to the other two Long Side Panels using the attached Y30-18B Metal Corner Brackets already installed to the other two panels.

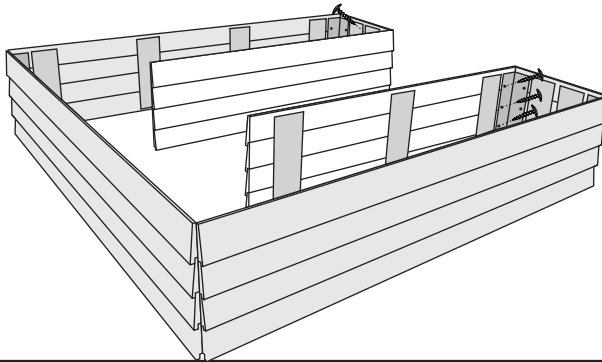


**Step 4:** Attach the two Front Side Panels to the Long Side Panels, using the 3/4" Washer Head Screws.

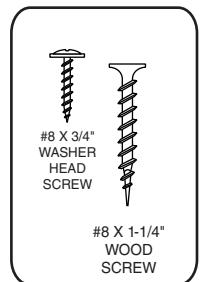
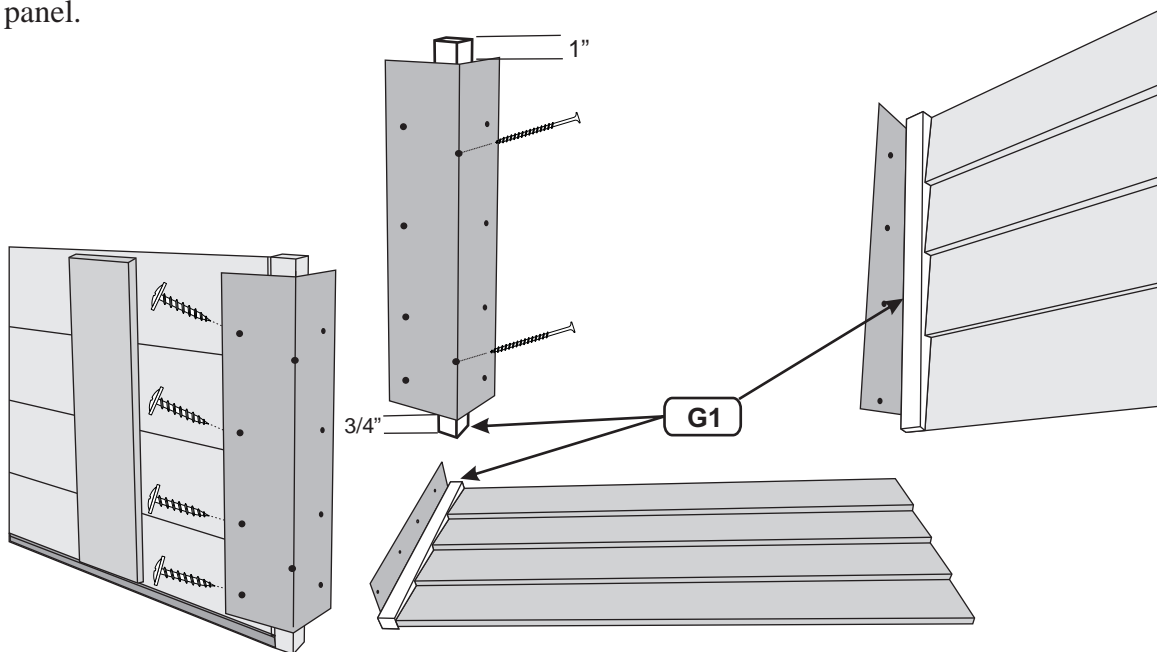
**Note that the panel ends line up with the Y30-18B Metal Corner Brackets as shown.**



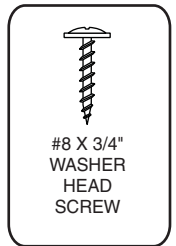
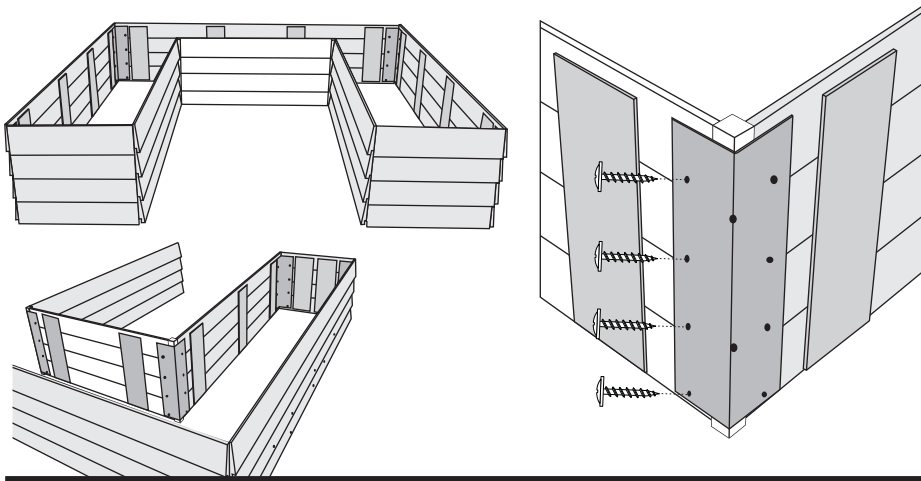
**Step 5:** Attach the two Inside Side Panels to the existing Y30-18B Metal Corner Brackets on the Front Side Panels using 3/4" Washer head Screws.



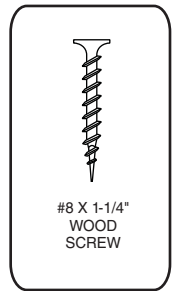
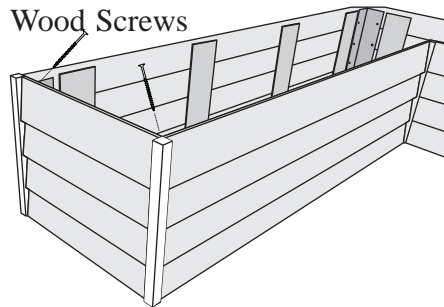
**Step 6:** Attach the G1 Corner Board to the inside of the Y30-18B Metal Corner Bracket using 1 1/4" Wood Screws. Align the Corner Brace against edge of Center Side Panel, flushing the G1 Corner Board with Center Side Panel as in diagram. Attach to the Center Side Panel using four 3/4" Washer Head Screws. Repeat process for the other side of the panel.



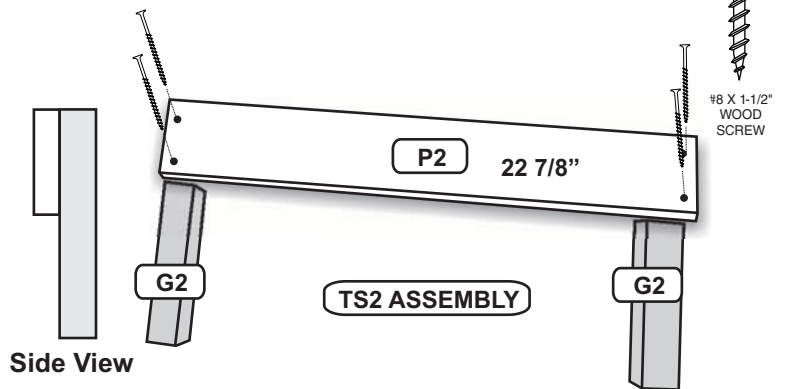
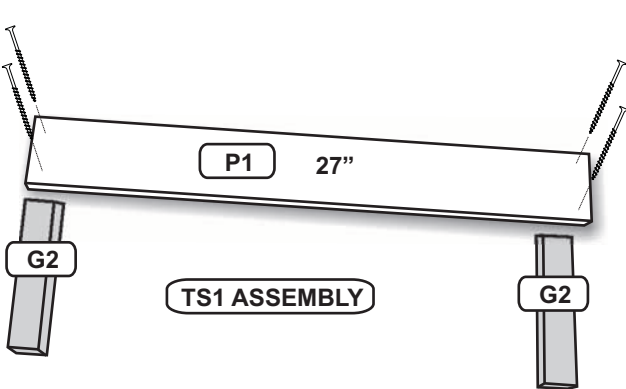
**Step 7:** Position the **Center Side Panel** with the Inside Side Panels flushing the G1 Corner Board up against Inside Side Panels. Attach with 3/4" Washer Head Screws.



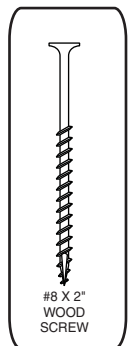
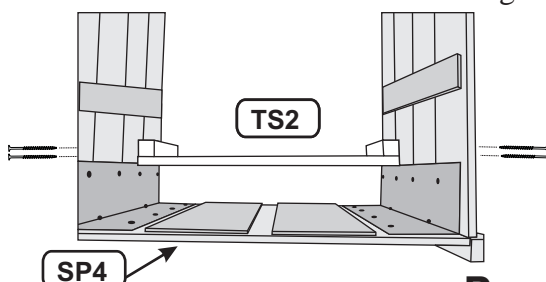
**Step 8:** Attach the rest of the G1 Corner Boards using 1 1/4" Wood Screws making sure they are flush top and bottom with all side panels.



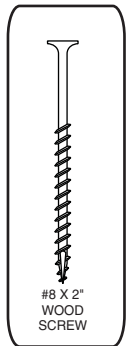
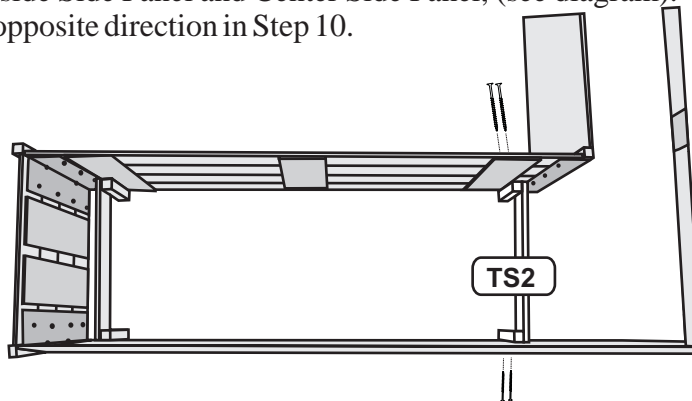
**Step 9:** Attach P1 and P2 Tub Support to the G2 Tub Support Legs with 1 1/2" Wood Screws making sure the legs are flush at top and side of Support Rails.



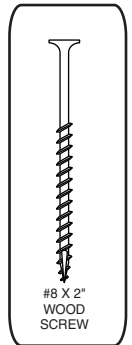
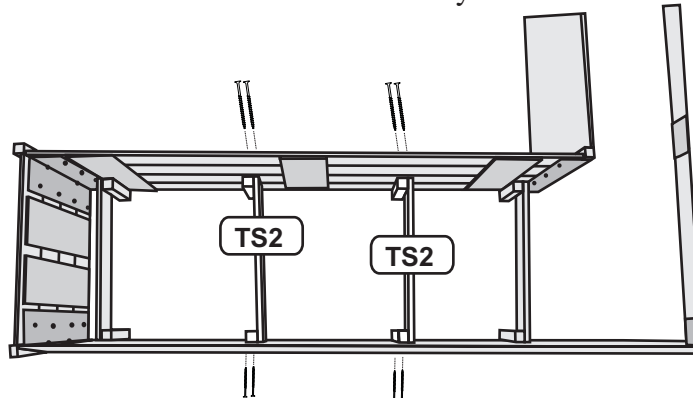
**Step 10:** Position TS2 Tub Support Assembly flush with bottom and to the edge inside edge of Y30-18B Metal Corner Bracket on Front Side Panels, (see diagram). Attach TS2 Tub Supports to the unit using 2" Wood Screws. Note: **Pre-drill holes** using a 1/8" drill bit.



**Step 11:** Position another TS2 Tub Support, flush with bottom and to the edge of Y30-18B Metal Corner Bracket of the Inside Side Panel and Center Side Panel, (see diagram). Note that P2 Tub Support Board is facing opposite direction in Step 10.

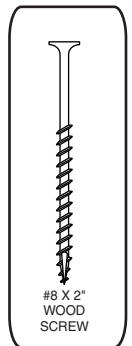
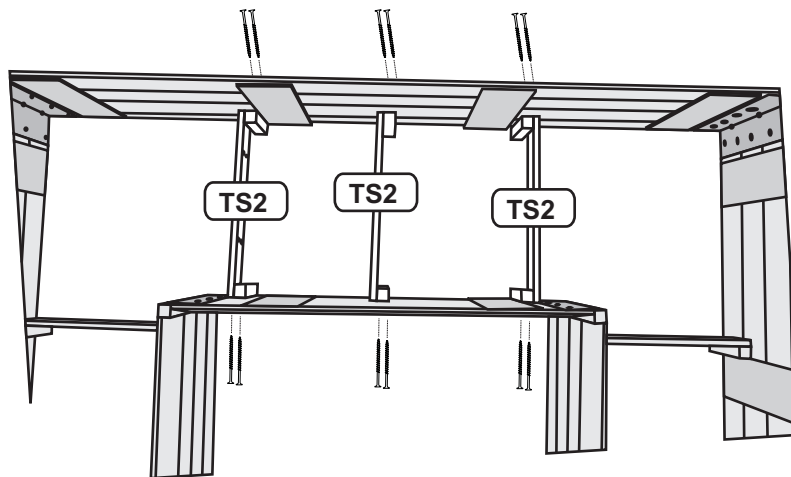


**Step 12:** Attach the other two TS2 Tub Supports spacing evenly between the two exiting TS2 Tub Supports and keeping flush with the bottom of unit. Note they are in the same direction as Step 11.



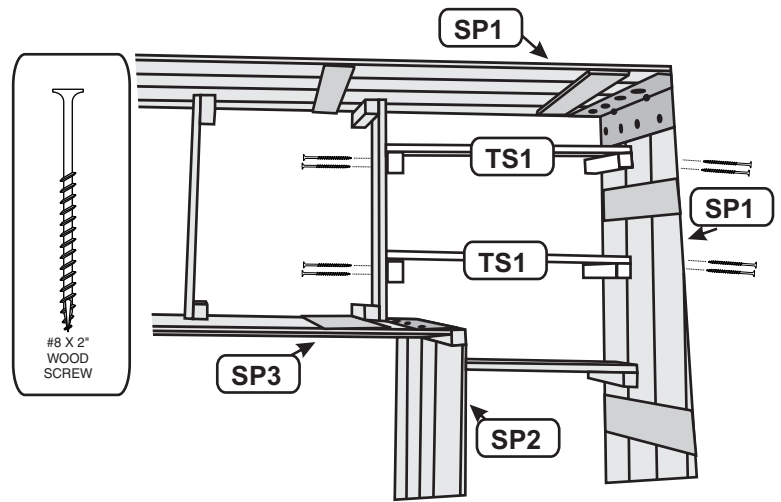
**Step 13:** Repeat steps 10-12 on opposite side of Unit.

**Step 14:** Attach two TS2 Tub Supports between Back Side Wall Panel and Center Wall Panel, using the Tub Supports against the Y30-18B Metal Corner Brackets, as in previous steps. Now attach the remaining TS2 Tub Support centered between those two brackets.

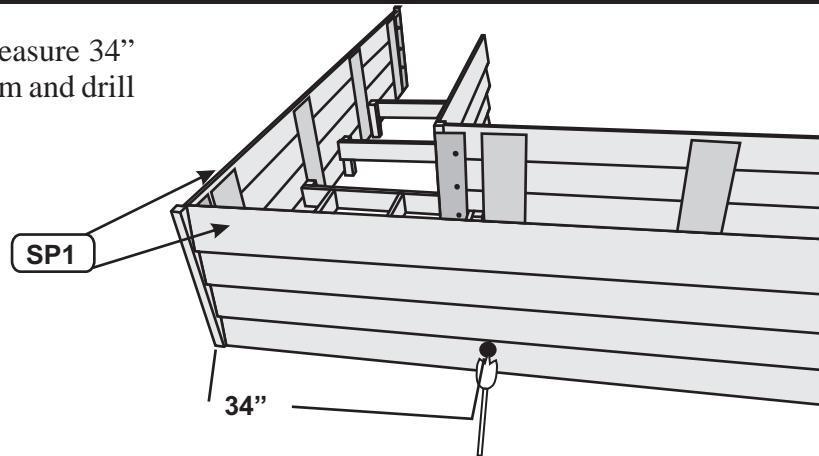


**Step 15:** Space equally two TS1 Long Tub Supports between Center Wall and Long Side Panel back wall, (see diagram), and attach with 2" Wood Screws.

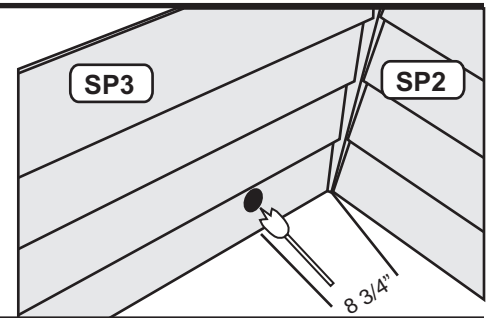
**Step 16:** Repeat Step 15 on the opposite side.



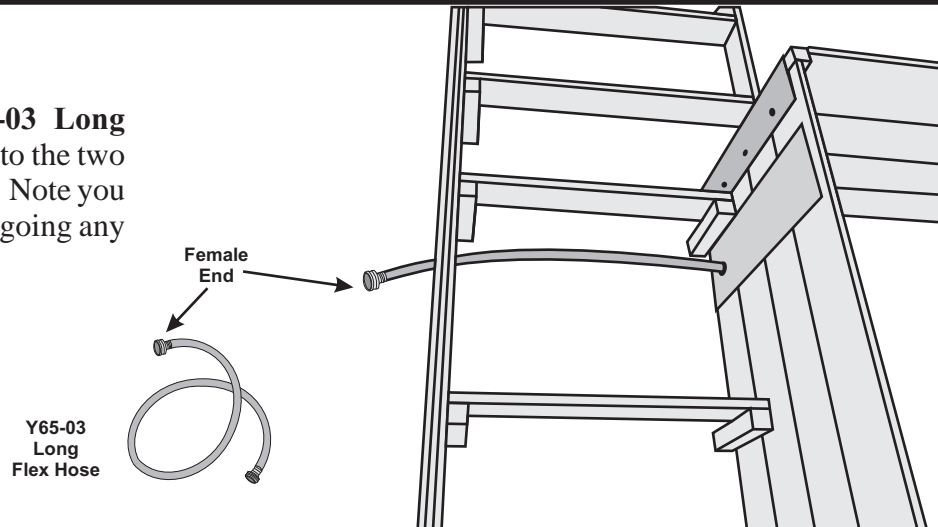
**Step 17:** On the left side of unit measure 34" from back wall and up 4" from bottom and drill a 1 1/8" hole with a 1 1/8" paddle bit.



**Step 18:** On the Inside Wall Panel measure from the Center Wall Panel 8 3/4" and up 4" and drill another 1 1/8" hole with the 1 1/8" paddle bit.



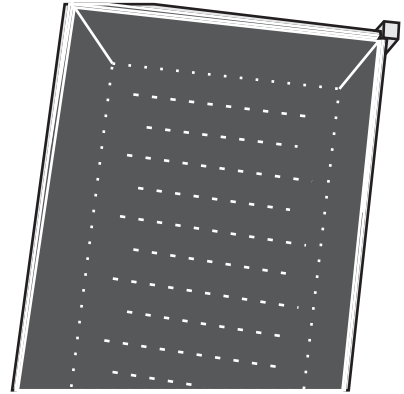
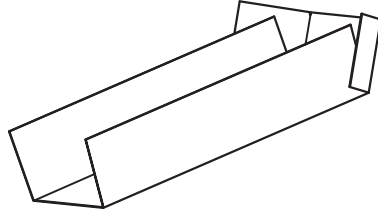
**Step 19:** Insert the Y65-03 Long Flex Hose thru the holes into the two walls you have just drilled. Note you want to do this now before going any farther.



---

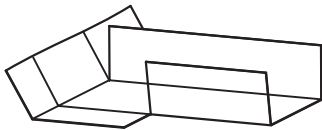
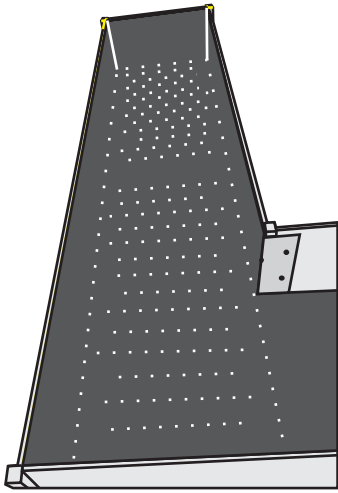
**Step 20:** Insert **X85-01 End Plastic Tubs** against both Front Side Panels, making sure the flaps are on the outside of Tub's against the side panels, (see diagram). Note you may need to use the rubber mallet to get these tubs to fit.

**X85-01  
End Plastic Tub**

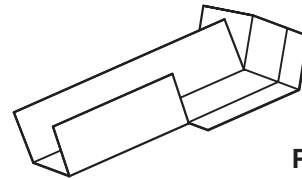
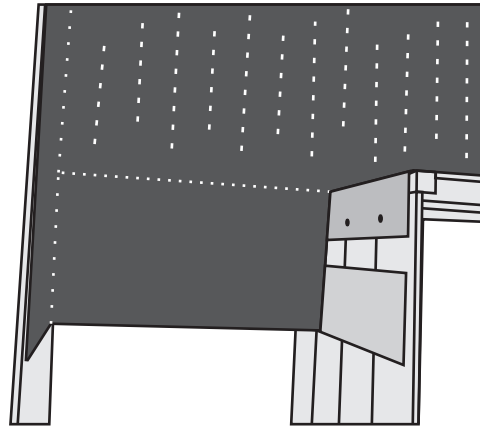


---

**Step 21:** Insert **X85-02L and X85-02R Plastic Tubs** into the corners of the unit making sure to overlap the X85-01 End Plastic Tub (see diagram). Note you may need to use the rubber mallet to get these tubs to fit.



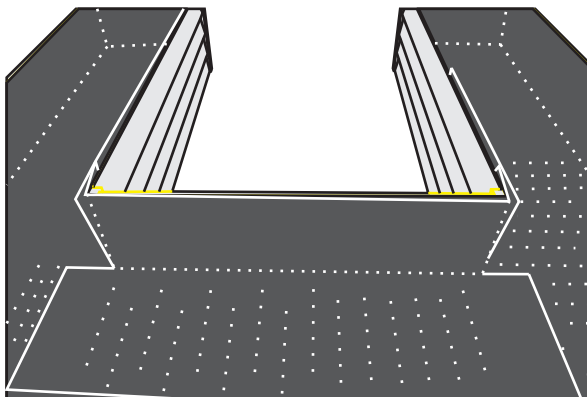
**X85-02R  
Plastic Tub Right**



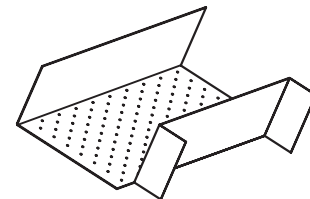
**X85-02L  
Plastic Tub Left**

---

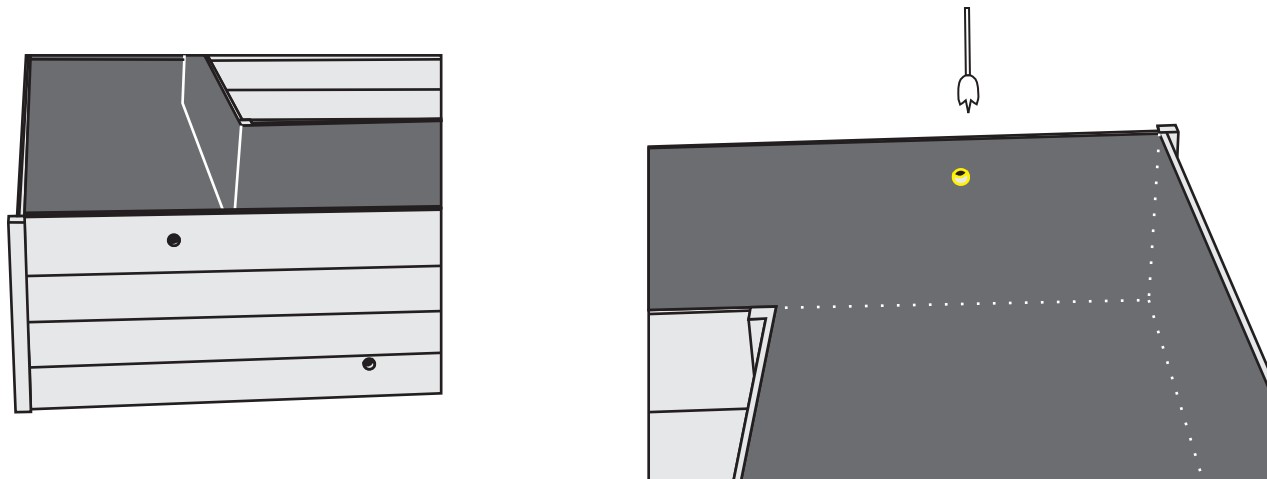
**Step 22:** Insert **X85-03 Center Plastic Tub** into the back center overlapping X85-02L and X85-02R Plastic Tubs, inserting flaps from Tub C behind Tub B (see diagram). Note you may need to use the rubber mallet to get these tubs to fit.



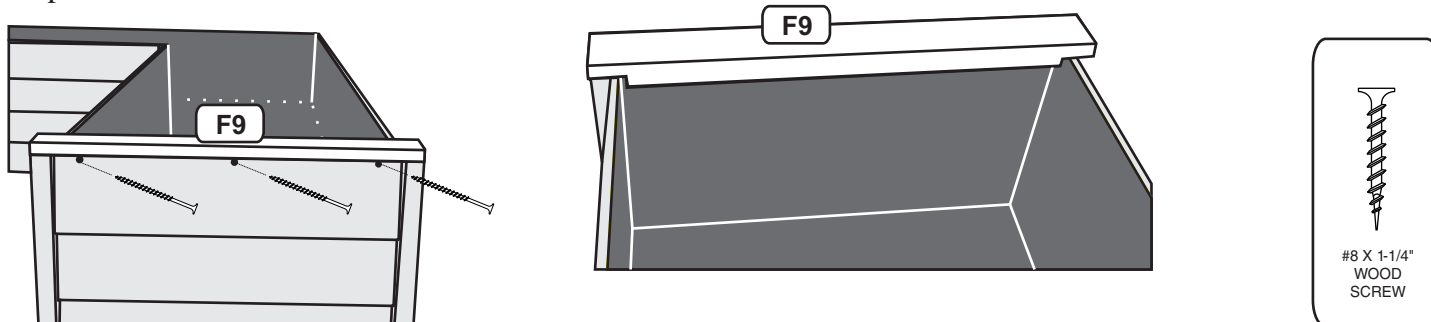
**X85-03  
Center Plastic Tub**



**Step 23:** Measure 14 1/2" on Left Long Side Panel from back corner of unit and down 2 1/2" from top of unit and drill a 1 1/8" hole thru the side wall and thru X85-02L Plastic Tub with a 1 1/8" spade bit.



**Step 24:** Position F9 Top Rail to the top of left Front Side Panel and pre-drill three holes thru the top of Front Side Panel into F9 Top Rail and then attach using 1 1/4" Wood Screws making sure the notched piece is inside covering the plastic tub.

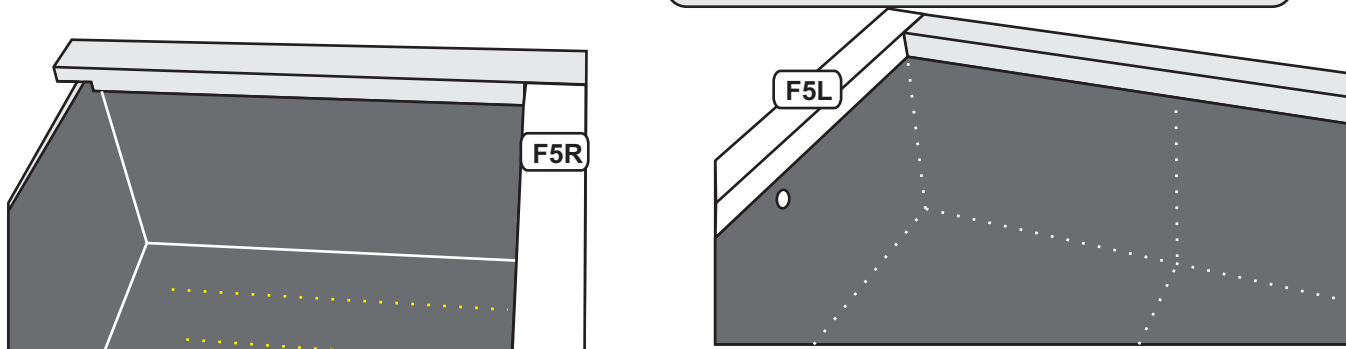


**Step 25:** Repeat step 23 for the right Front Side Panel F9 Top Rail.

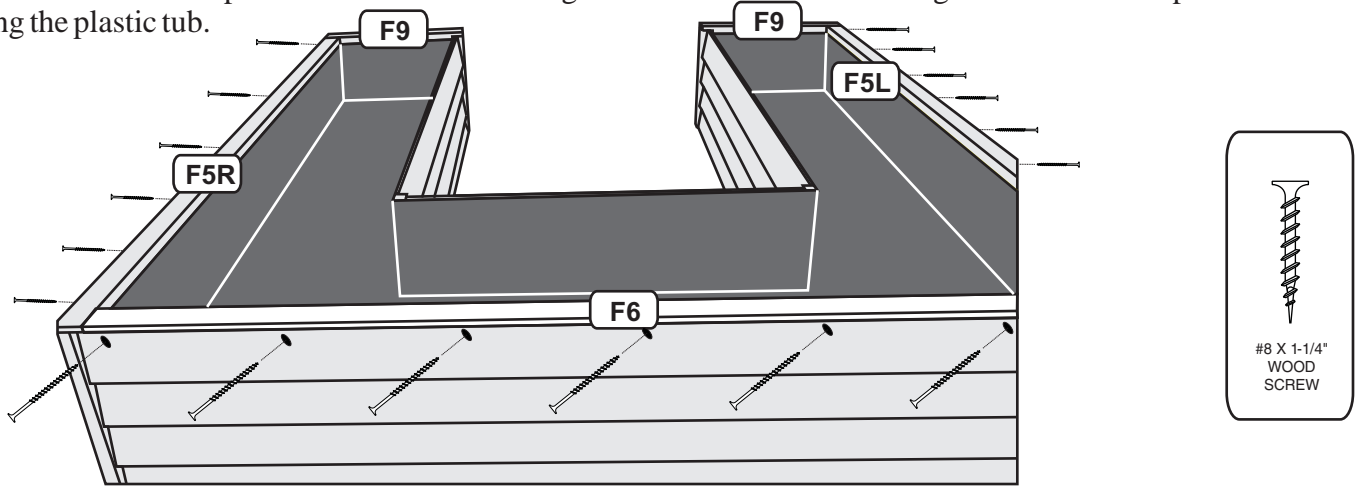
**Step 26:** Position F5L Top Rail to the top of left Long Side Panel making sure the notched piece is inside covering the plastic tub.

Position the F5R Top Rail on the right side making sure the notched piece is inside covering the plastic tub.

See Step 27 for Wood Screw Positions

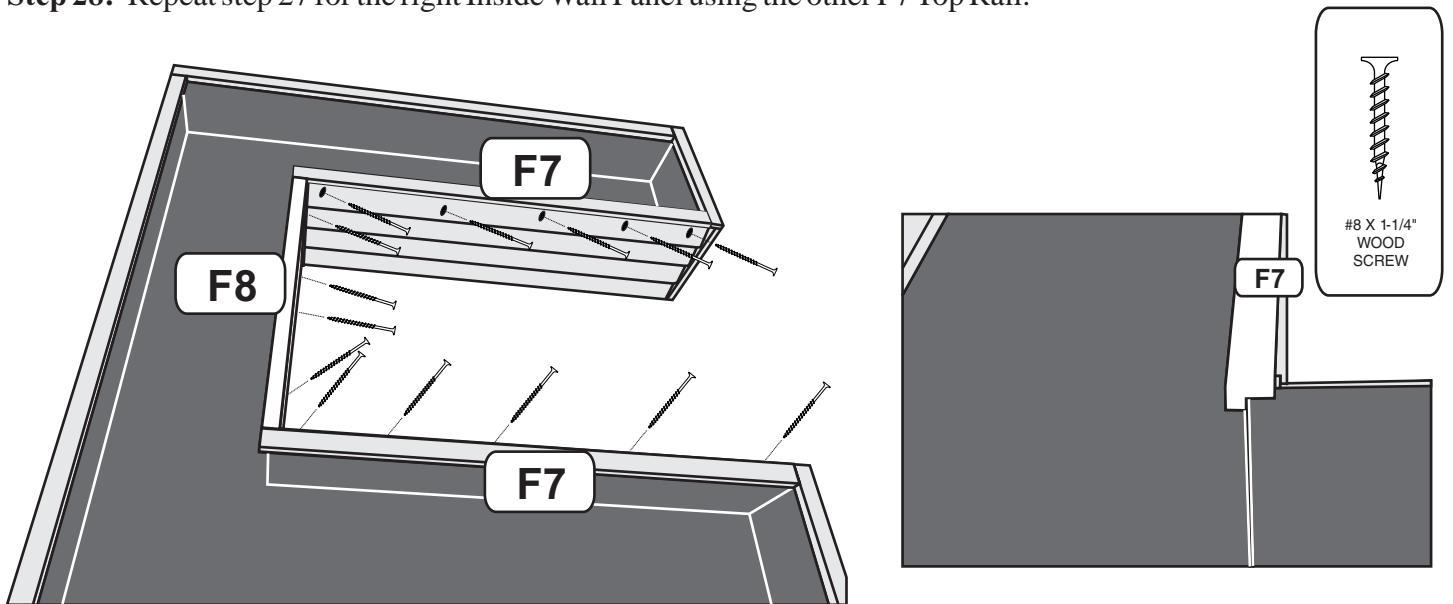


**Step 27:** Position F6 Top Rail to the top of back Long Side Panel and pre-drill **six** holes thru the top of the back Long Side Panels into each Top Rail and then attach using 1 1/4" Wood Screws making sure the notched piece is inside covering the plastic tub.



Position F7 Top Rail to top of left Inside Wall Panel and pre-drill five holes thru the top of left Inside Wall Panel into F7 Top Rail and then attach using 1 1/4" Wood Screws making sure the notched piece is inside covering the plastic tub. Repeat this

**Step 28:** Repeat step 27 for the right Inside Wall Panel using the other F7 Top Rail.

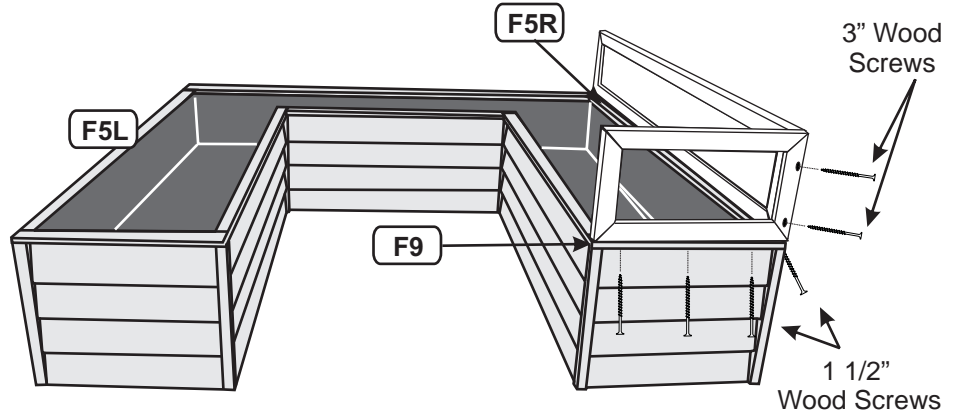


**Step 29:** Position F8 Top Rail to top of Center Wall Panel and pre-drill four holes thru the top of Center Wall Panel into F8 Top Rail and then attach using 1 1/4" Wood Screws making sure the notched piece is inside covering the plastic tub.



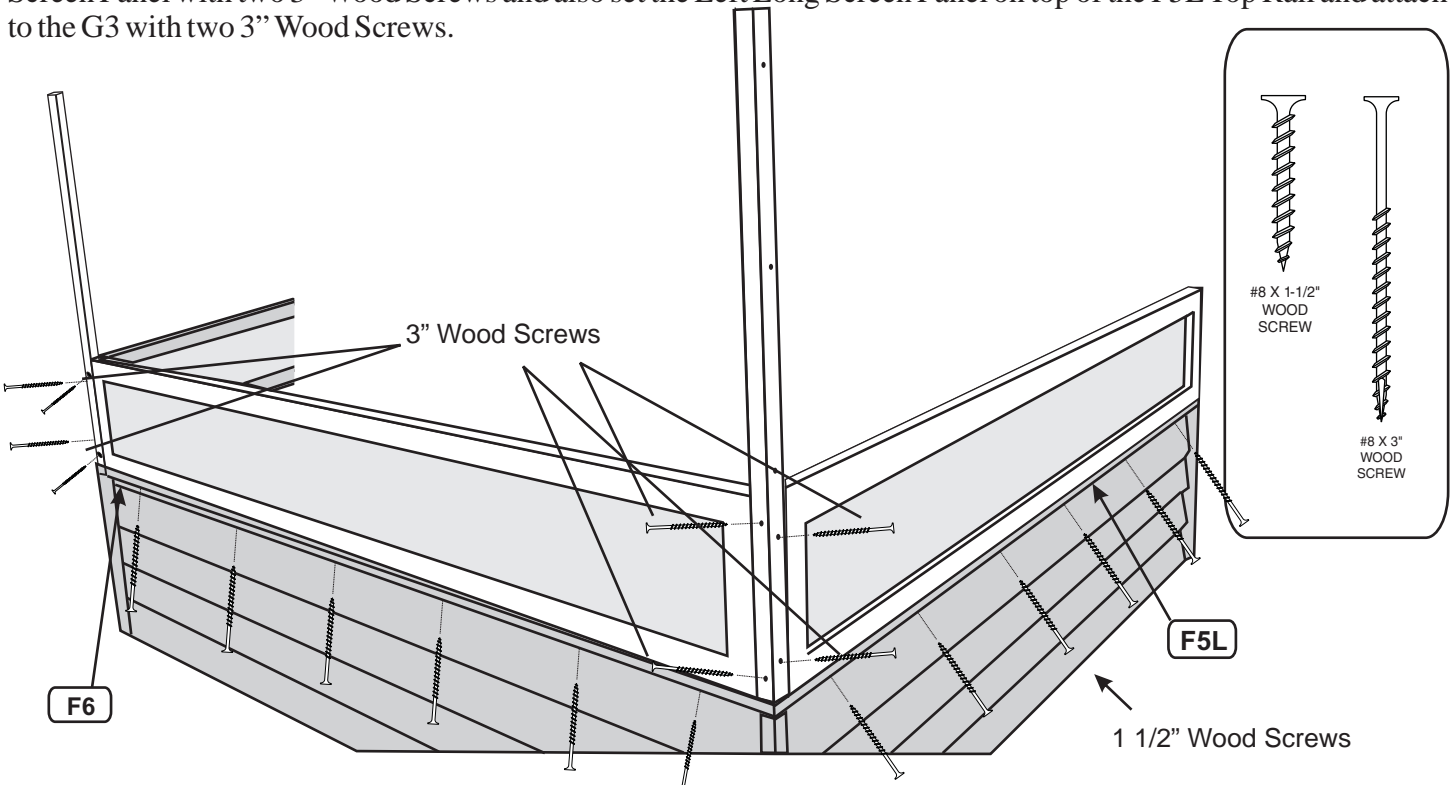
**Step 30:** Pre-drill three 1/8" holes from the bottom of F9 Top Rail into bottom of Front Screen Panel and attach using 1 1/2" Wood Screws, making sure that it is flush in front and sides of F9 Top Rail. Note make sure the finished side is facing to the outside of the unit.

**Step 31:** Pre-drill six 1/8" holes from the bottom of the F5R Top Rail into bottom of the Long Screen Panels and attach using 1 1/2" Wood Screws, making sure that it is flush on outside to F5R Top Rail and flush against Front Screen Panel.



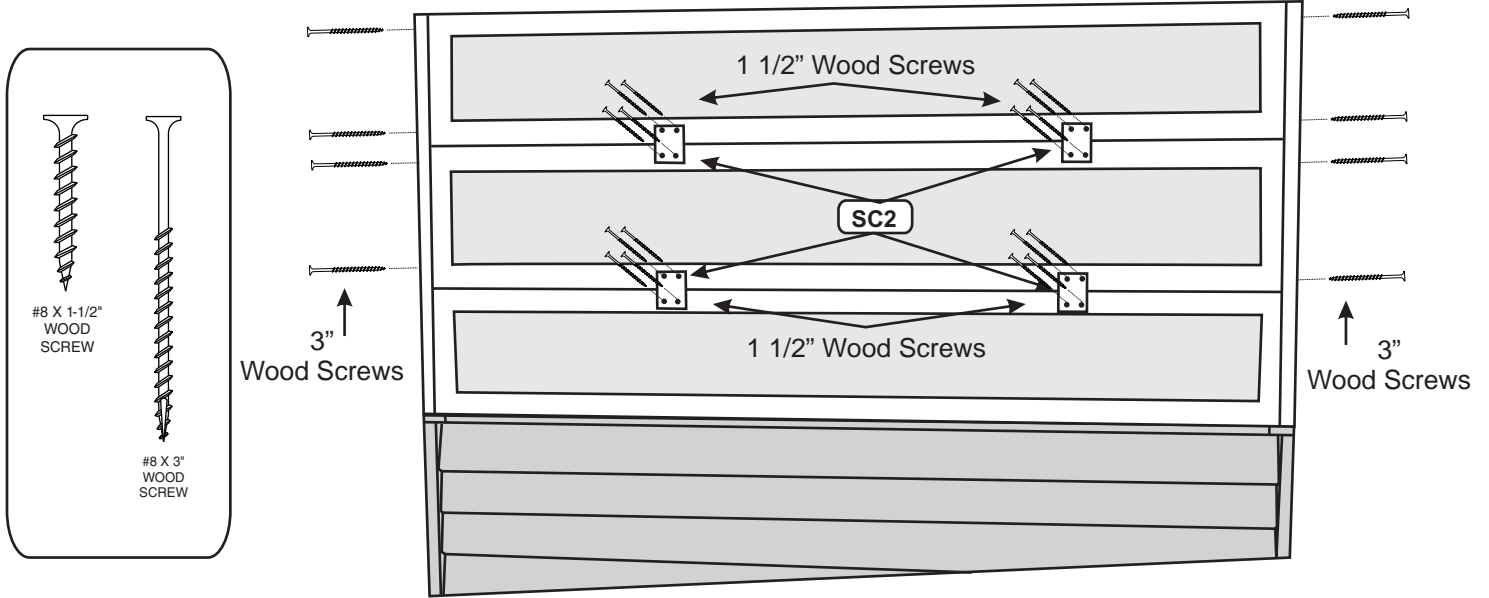
**Step 32:** Pre-drill two 1/8" holes into the Front Screen Panel and attach to the Long Screen Panel using 3" Wood Screws making sure that the corner is flush.

**Step 33:** Place one **G3 Corner Board** on top of F6 Top Rail lining up with Right Long Screen Panel pre-drill two 1/8" holes then attach using two 3" Wood Screws. Place one **Back Long Screen Panel** on top of F6 Top Rail and attach the G3 to the Back Screen Panel with two 3" Wood Screws. Attach the other G3 to the other end of the Back Screen Panel with two 3" Wood Screws and also set the Left Long Screen Panel on top of the F5L Top Rail and attach to the G3 with two 3" Wood Screws.



**Step 34:** Pre-drill six 1/8" holes from the bottom of the F6 Top Rail into the back Long Screen Panel and attach with six 1 1/2" Wood Screws. Also pre-drill six 1/8" holes from the bottom of the F5L Top Rail and attach with six 1 1/2" Wood Screws.

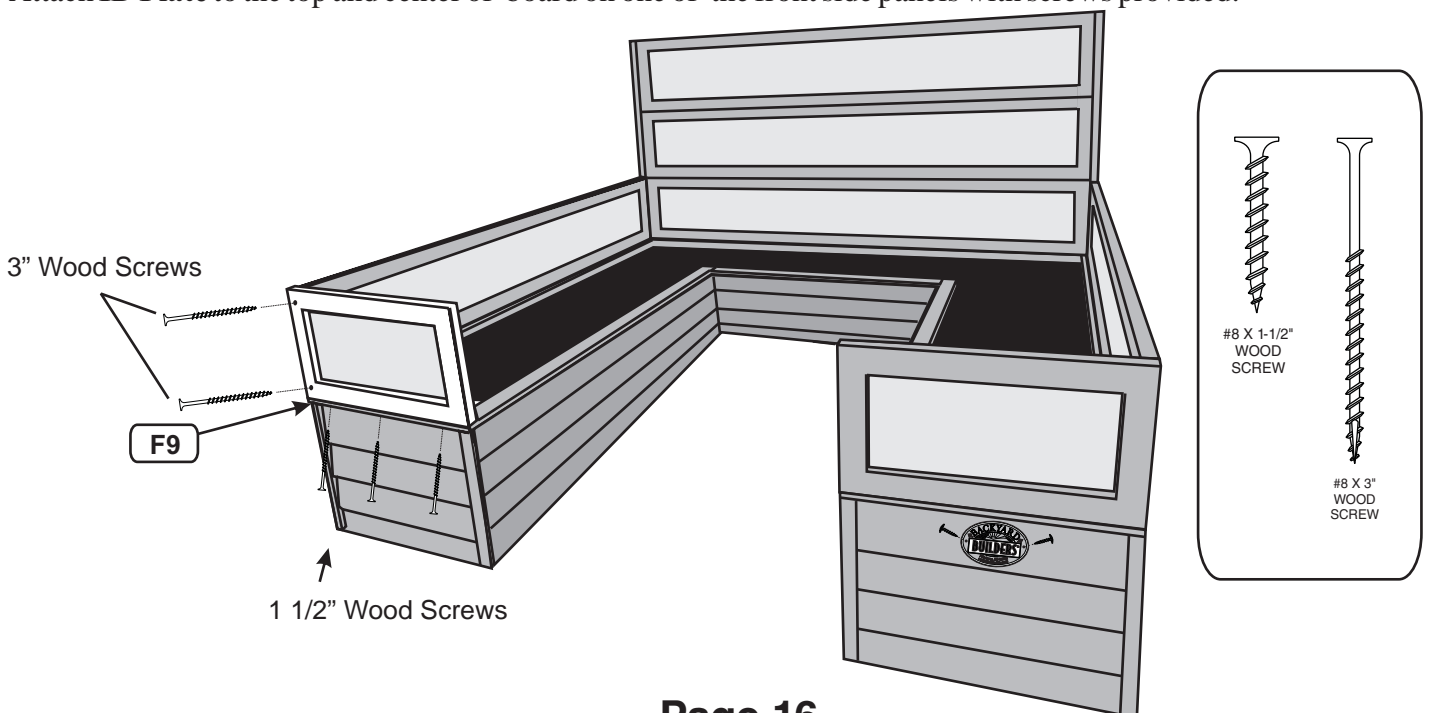
**Step 35:** Attach the other two Long Back Screen Panels to the top of the other Long Back Screen Panel by first pre-drilling two 1/8" holes thru the G3's into the Long Screen Panels on both the right and left side of unit and attach using two 3" Wood Screws per panel in diagram below. making sure that the finished side of the Back Screen Panels face to the inside.



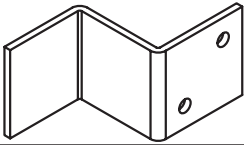
**Step 36:** Equally space and attach the four SC2 Screen Support Cleats to the back Long Back Screen Panels, using four 1 1/2" Wood Screws per cleat.

**Step 37:** Pre-drill three 1/8" holes from the bottom of F9 Top Rail into bottom of Front Screen Panel and attach using 1 1/2" Wood Screws, making sure that it is flush in front and sides of F9 Top Rail. Note make sure the finished side is facing to the outside of the unit. Pre-drill two 1/8" holes into the Front Screen Panel and attach to the Long Screen Panel using 3" Wood Screws making sure that the corner is flush.

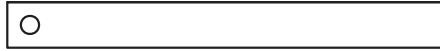
Attach **ID Plate** to the top and center of board on one of the front side panels with screws provided.



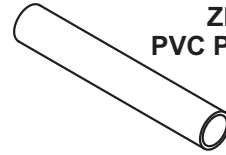
**Y30-Z1.25 Metal Bracket**



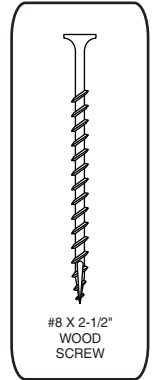
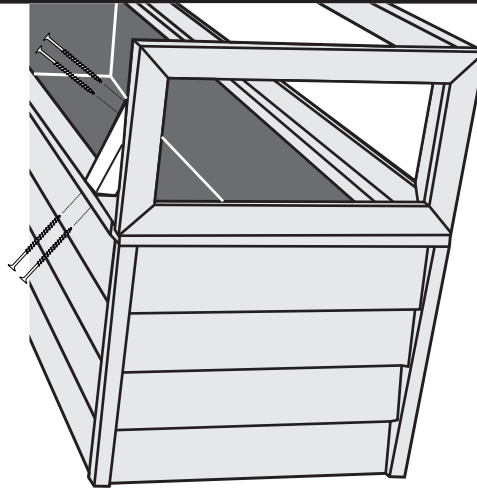
**G4 Gate Latch**



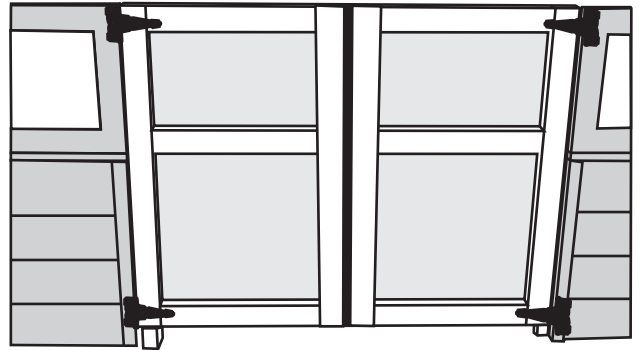
**ZPB - 91169  
PVC Plastic Bushing**



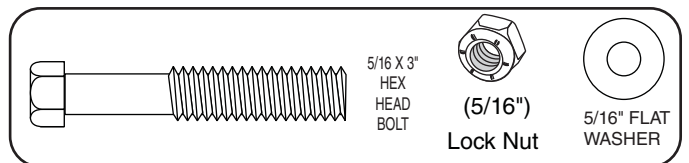
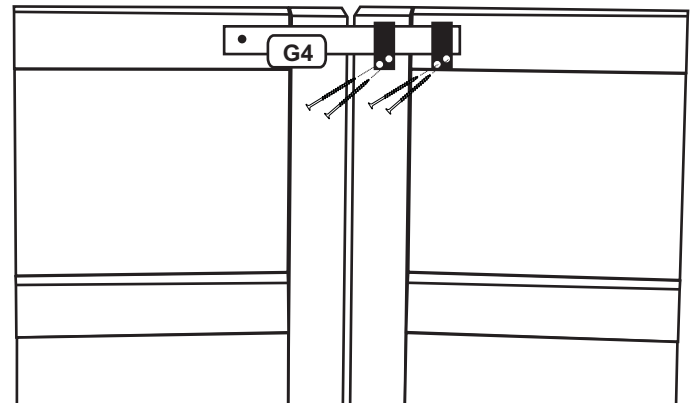
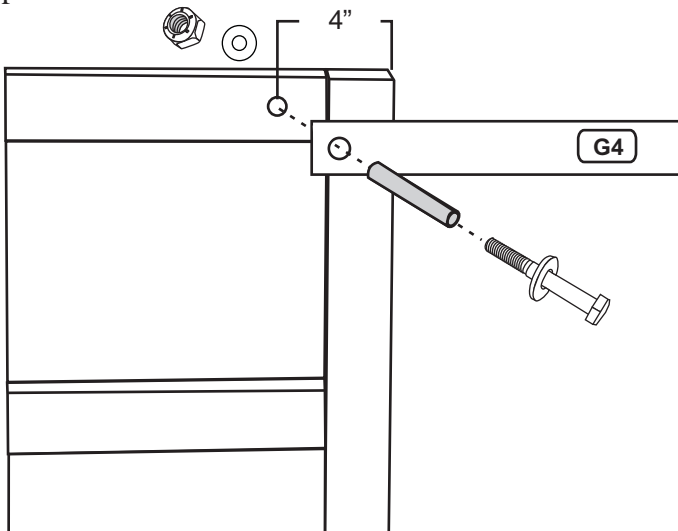
**Step 38:** Attach the F12 Angle Brace to both Front Screen Panels and the F7 Top Rails. First make sure that the Front Screen Panels are plumb with the Front Wall Panels then pre-drill two 1/8" holes thru both the Front Screen Panels and F12 Angle Braces and attach using two 2 1/2" Wood Screws per panel. Then pre-drill two 1/8" holes thru the bottom of both the F7 Top Rails into the F12 Angle Braces and attach using two 2 1/2" Wood Screws, (see diagram).

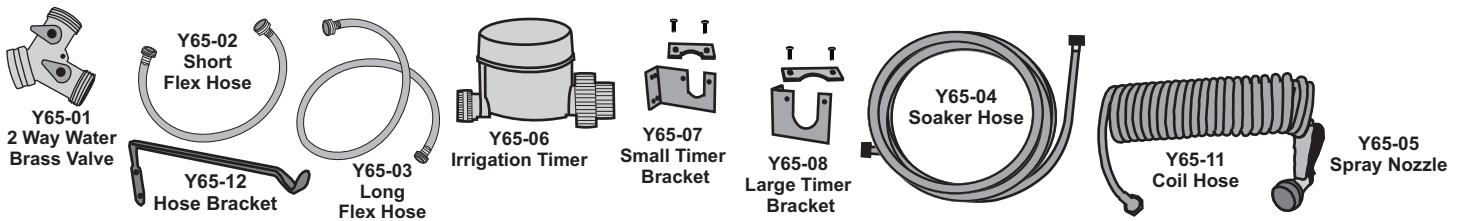


**Step 39:** Flush the top and front of both the **Gates** to the top and front of the Front Screen Panels, (You might want to cut some blocks of wood to help keep the Gate level with the top of the Front Screen Panels). Attach the top **Hinges** to the Left and Right Front Screen Panels making sure the other part of hinge is able to attach to the top rail of the gate using screws supplied with the Hinge. Attach the bottom hinges to the G1 Corner on left and right front side panel making sure that the other part of the Hinge is able to attach to the lower Gate rail using screws supplied with the Hinge.



**Step 40:** Measure 4" over from edge of **Gate Assembly** and center hole from top of Gate Assembly as per diagram and drill a 7/16" hole. Insert the **ZPB - 91169 PVC Plastic Bushing** into the drilled hole. Place a 5/16 x 3" Hex Bolt and Flat Washer thru the **G4 Gate Latch** and the Bushing and place another Flat Washer and Lock nut on the back of Gate Assembly. Attach two **Y30-Z1.25 Metal Bracket** on the opposite side of the G4 Latch with the screws provided.

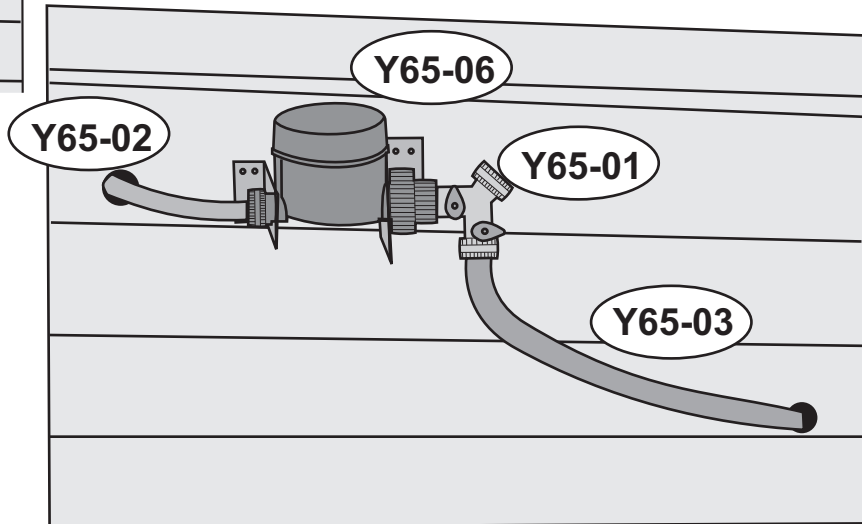
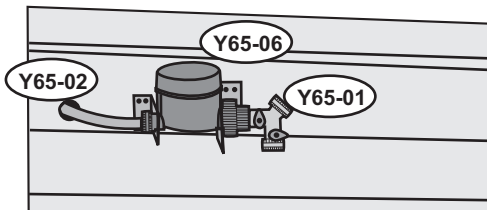
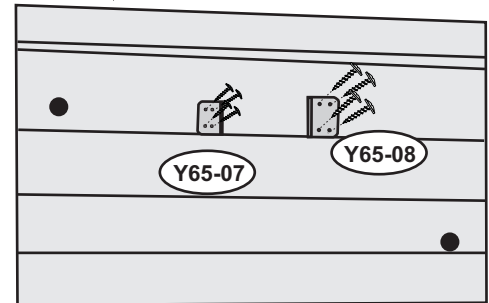
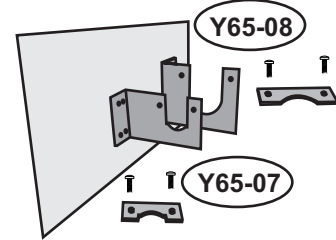




**Step 41:** Place **Y65-02 Short Flex Hose** through hole you drilled and then attach to Outlet side of **Y65-06 Irrigation Timer**. Attach **Y65-01 Two Way Brass Valve** to inlet side of **Y65-06 Irrigation Timer**.

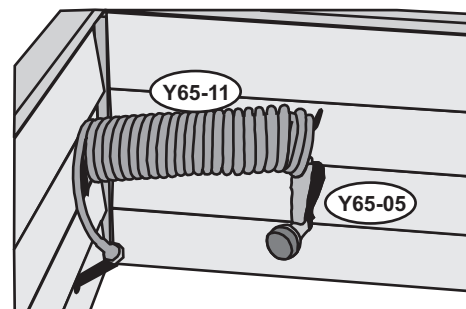
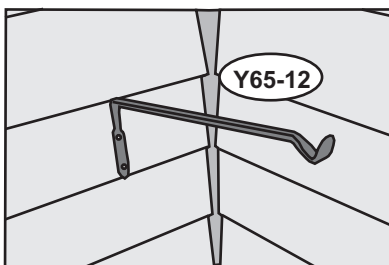
Placing Irrigation Timer on the Left Long Side Panel to help you locate correct position for **Y65-07 Small** and **Y65-08 Large Timer Hanger Brackets**. Attach Small and Large Timer Brackets to siding panel using the screws provided.

Secure Timer to Small and Large Hanger Brackets using the Hanger Fasteners and Screws provided and attach the **Y65-03 Long Flex Hose**.



**Step 42:** Attach the Hose Hanger to the left Inside Panel on the second board of Inside Panel approximately 6" from the Center Side Panel, (see diagram).

Attach the **Y65-04 Soaker Hose** to the **Y65-02 Short Flex Hose** and attach the **Y65-11 Coil Hose** to the **Y65-03 Long Flex Hose** and mount Watering Hose on Hose Hanger.



# MAINTENANCE

## ***REQUIRED PERIODIC MAINTENANCE***

All outdoor wooden products, including Leisure Time Products, Inc products, require routine inspection and regular maintenance. Maintenance should be performed at any time it is deemed necessary. As a general rule, major maintenance (wood refinishing) should be performed at twelve month intervals from the date of installation. Inspect and perform maintenance based on the following checklist.

Major wood parts: inspect for splintering and structural defects. If necessary, lightly sand and refinish with an exterior water repellent stain.

Hardware: inspect for tightness. Be certain that hardware is firmly against, but not crushing the wood. Over-tightening hardware crushes wood fibers and splits wooden components and could result in the bolt threads extending beyond the wood and presenting a severe safety hazard. If splintering has occurred from over tightening, larger washers can be purchased at your local hardware store and installed under the bolt head. Be sure to reuse or replace your lock washers.

Metal components: sand rusted areas on painted components and repaint using a non-lead based paint meeting the requirements of Title 16 CFR Part 1303.

In the event that your product needs to be dismantled and disposed of due to storm damage, age, or other cause, make sure that you check your local city and state regulations or with your sanitation department for the proper method and means of disposal. Please dispose of the unit in such a way that no unreasonable hazards will exist (sharp edges, broken parts, and exposed screws) at the time it is discarded.

The garden will take approximately 40 cubic feet of dirt or potting soil.

Periodically check your water connections for leaks.

### **Winterize the product**

- Disconnect the water supply.
- Disconnect the watering timer and soaker hose and bring indoors to keep from freezing.

Oil hinges with a fine oil once a month.

## COMMONLY ASKED QUESTIONS AND ANSWERS

This section addresses some specific issues sometimes encountered during and after the assembly. Most are re-emphasis of items covered in detail elsewhere in this manual.

Question: ***Now that my product is assembled and installed, will I have to do anything to it?***

Answer: Yes. You must provide routine inspections and regular maintenance. These procedures are covered in the "required periodic maintenance" section.

Question: ***When should the necessary maintenance be performed?***

Answer: Generally speaking, at the beginning of each season or as often as may be deemed necessary from an inspection. Major maintenance (primarily a thorough inspection and re-staining) should be performed at twelve-month intervals from the date of installation.

Question: ***How do I know when my product needs refinishing?***

Answer: If water is absorbed into the wood, it's time to refinish your product. If, however, water beads and rolls off the wood, surfaces are protected.

Question: ***Why does it seem that my product is developing cracks?***

Answer: The correct terminology for what appears to be cracks is "wood checks". A check is the radial separation of wood fibers running with the grain of wood caused by varying temperatures and moisture conditions. These checks will develop on the surface and end grains of the wood as an unavoidable aspect of the natural weathering process of all wood exposed to the elements. Checks occur after the wood has been wet, and outside surfaces dry faster than inside surfaces. Checks mainly affect the aesthetics of your product and not its strength or durability. An exterior water repellent stain slows down the checking process because it reduces the amount of water that penetrates the wood.

Question: ***How much dirt or potting soil will it take?***

Answer: It will take approximately 40 cubic feet of dirt or potting soil.

Question: ***Will I need to winterize the garden?***

Answer: Yes, you will need to disconnect the water supply. You will also need to remove the water timer, coil hose, and soaker hose and bring them indoors for the winter to prevent from freezing. **Do not** take the long flex hose off of the unit.

# FOR YOUR RECORDS

WHERE PURCHASED: \_\_\_\_\_

PURCHASE DATE: \_\_\_\_\_ INSTALLATION DATE: \_\_\_\_\_

MODEL NAME & NUMBER \_\_\_\_\_

## PLEASE READ THIS BOOKLET COMPLETELY BEFORE BEGINNING THE ASSEMBLY PROCESS.

THIS MANUAL HAS BEEN PREPARED TO HELP YOU AND YOUR FAMILY ACHIEVE FULL BENEFIT FROM YOUR *LEISURE TIME PRODUCTS INC.* BACKYARD GARDEN PRODUCT. IT CONTAINS HELPFUL INFORMATION CONCERNING ASSEMBLY PREPARATION, INSTALLATION PROCEDURE, REQUIRED MAINTENANCE, REPLACEMENT PARTS, AND SHOULD THE SITUATION OCCUR, THE PROCEDURE FOR FILING A WARRANTY CLAIM.

PLEASE VALIDATE YOUR WARRANTY BY COMPLETING THE WARRANTY INFORMATION CARD AND RETURN IT TO US WITHIN 30 DAYS OF INSTALLATION. THIS INFORMATION IS USED EXCLUSIVELY FOR INTERNAL PURPOSES AND AS A VERIFICATION IF NECESSARY.

THE WARRANTY ON *LEISURE TIME PRODUCTS INC.* PRODUCTS IS VALID TO THE ORIGINAL PURCHASER AND IS NOT TRANSFERABLE. IT SHOULD BE NOTED THAT *LEISURE TIME PRODUCTS INC.* CANNOT ASSUME ANY RESPONSIBILITY FOR MODIFICATION, OR ACCESSORIES ADDED TO THIS PRODUCT OTHER THAN THOSE MANUFACTURED AND SOLD BY *LEISURE TIME PRODUCTS INC.*

THIS PRODUCT HAS BEEN DESIGNED FOR RESIDENTIAL USE ONLY. THE WARRANTY BECOMES VOID WHEN USED IN A COMMERCIAL APPLICATION.

FOR WARRANTY CLAIM PURPOSES, YOU MUST RETAIN YOUR SALES RECEIPT OR OTHER MEANS OF PROOF-OF-PURCHASE. YOU SHOULD ALSO KEEP THIS BOOKLET FOR FUTURE REFERENCE. PLEASE ATTACH THE SALES RECEIPT TO THE INSIDE COVER OF THIS BOOKLET FOR FUTURE REFERENCE.

### LEISURE TIME PRODUCTS, INC.: 1-YEAR LIMITED WARRANTY

It is the customers' responsibility to install and maintain their product as instructed in the instruction manual. Subject to normal use, Leisure Time Products, Inc. warrants to the original purchaser all products to be free from workmanship defects for a period of one-year from the date of the original purchase. The warranty on Leisure Time Products, Inc. product is valid to the original purchaser and is not transferable

Wooden parts: All wooden parts are covered against wood rot and termite damage for 1-year from the original purchase date.

Non-wooden parts: Hardware, roped or chained accessories, slides, metal or plastic components, canvas and mesh are covered 1-year from the original purchase date.

For a complete listing of our replacement parts is available through Leisure Time Products, Inc. customer service department. Contact information: 1-800-765-4138 • Fax: (479) 524-6481 • PO Box 459 Siloam Springs, AR 72761

www.by-leisure.com • E-mail: leisuret@cox-internet.com

This warranty covers residential installations only as the product has not been designed for, nor will perform safely, in any commercial application. The warranty becomes void when used in a commercial application.

This warranty provides you with specific legal rights and you may also have other rights, which vary from state to state. This warranty excludes are consequential damages. Some states do not allow the limitation or exclusion of consequential damages so the above limitations may not apply to you.

#### Validating your warranty

Please validate your warranty by completing the warranty information card and return it to us within 30 days of your purchase. This information is used exclusively for internal purposes and for verification, if necessary. Also retain a copy of your sales receipt or other proof-of-purchase as this will be required should it become necessary to submit a claim.

#### Limitations

This limited warranty does not cover labor for the replacement of the defective item; the cost of freight after 30 days from original purchase; any incidental or consequential damages, cosmetic defects which do not affect the structural integrity of the unit; items damaged due to vandalism, acts of nature, improper usage or installation; or other abnormal conditions.

DETACH HERE AND MAIL

## LEISURE TIME PRODUCTS, INC. WARRANTY CARD

### 6309 Backyard Botanical Garden

NAME \_\_\_\_\_

ADDRESS \_\_\_\_\_

CITY \_\_\_\_\_ ST \_\_\_\_\_ ZIP \_\_\_\_\_

PHONE (\_\_\_\_) \_\_\_\_\_

DATE PURCHASED \_\_\_\_\_

INSTALLATION DATE \_\_\_\_\_

PRODUCT SATISFACTION: (CIRCLE ONE BELOW)

EXCELLENT      GOOD      FAIR      POOR

I HAVE READ THE ASSEMBLY BOOKLET AND UNDERSTAND MY RESPONSIBILITY TO MAINTAIN MY GARDEN PRODUCT. I UNDERSTAND THAT CHILDREN WHO UTILIZE THIS PRODUCT ARE TO BE SUPERVISED AT ALL TIMES.

SIGNATURE \_\_\_\_\_

DATE \_\_\_\_\_

COMMENTS: \_\_\_\_\_

\_\_\_\_\_

\_\_\_\_\_

\_\_\_\_\_

**Model  
#6309**



DETACH HERE AND MAIL

**WARRANTY REGISTRATION CARD**

Leisure Time Products, Inc.  
P.O. Box 459  
Siloam Springs, AR 72761

PLACE  
POSTAGE  
HERE

LEISURE TIME PRODUCTS, INC.  
P.O. Box 459  
Siloam Springs, AR 72761  
1-800-765-4138 Toll Free

Office hours: 7am - 4pm, Mon-Fri, Central Time  
[www.by-leisure.com](http://www.by-leisure.com)

©Copyright By Leisure Time Products, Inc.