



Meridian Swingset

Wood Roof and Door Kits

Assembly Instructions

Part 65009

Both manuals are included in this document.

Assembly Instructions

BACKYARD



DISCOVERY™

WOOD ROOF KIT

Manufacturer: Backyard Discovery
3001 North Rouse
Pittsburg, KS 66762

Made in China

INS-65009ROOF-01
Rev. 03/11/2010

Roof Parts Identification



O3 - W100913 - Rafter - .625" x 4.4375" x 38.25" (16mm x 112mm x 972mm) - Qty 4



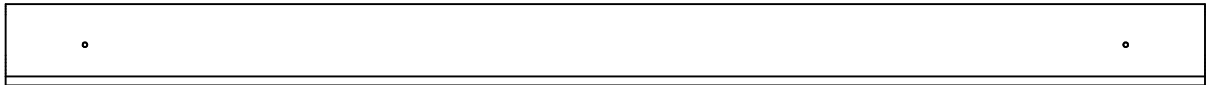
Q6 - W100914 - Sunburst Board - .625" x 2.375" x 32.875" (16mm x 60mm x 835mm) - Qty 2



Q7 - W100915 - Sunburst Board - .625" x 2.375" x 12.9125" (16mm x 60mm x 328mm) - Qty 2



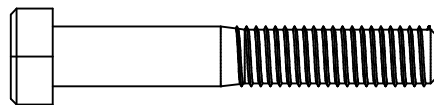
Q8 - W100916 - Sunburst Board - .625" x 2.375" x 7.875" (16mm x 60mm x 200mm) - Qty 4



SK91 - W100917 - Roof Slat - .4375" x 3.875" x 50" (11mm x 86mm x 1270mm) - Qty 24

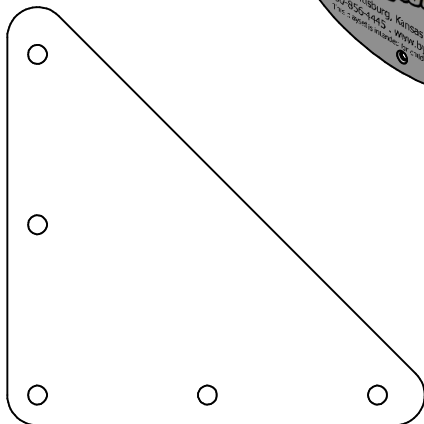
ID Plate - A100020

Qty. 2



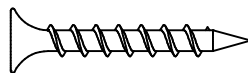
Bolt - $\frac{5}{16}$ " x 2" - A100044

Qty. 4



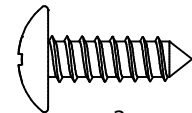
Triangle Plate - A100011

Qty. 2



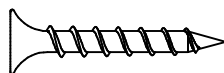
Screw - #8x1 $\frac{1}{4}$ " - A100087

Qty. 53



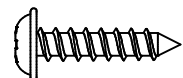
Screw - #14x $\frac{3}{4}$ " - A100083

Qty. 11



Screw - #8x1 $\frac{1}{8}$ " - A100088

Qty. 22



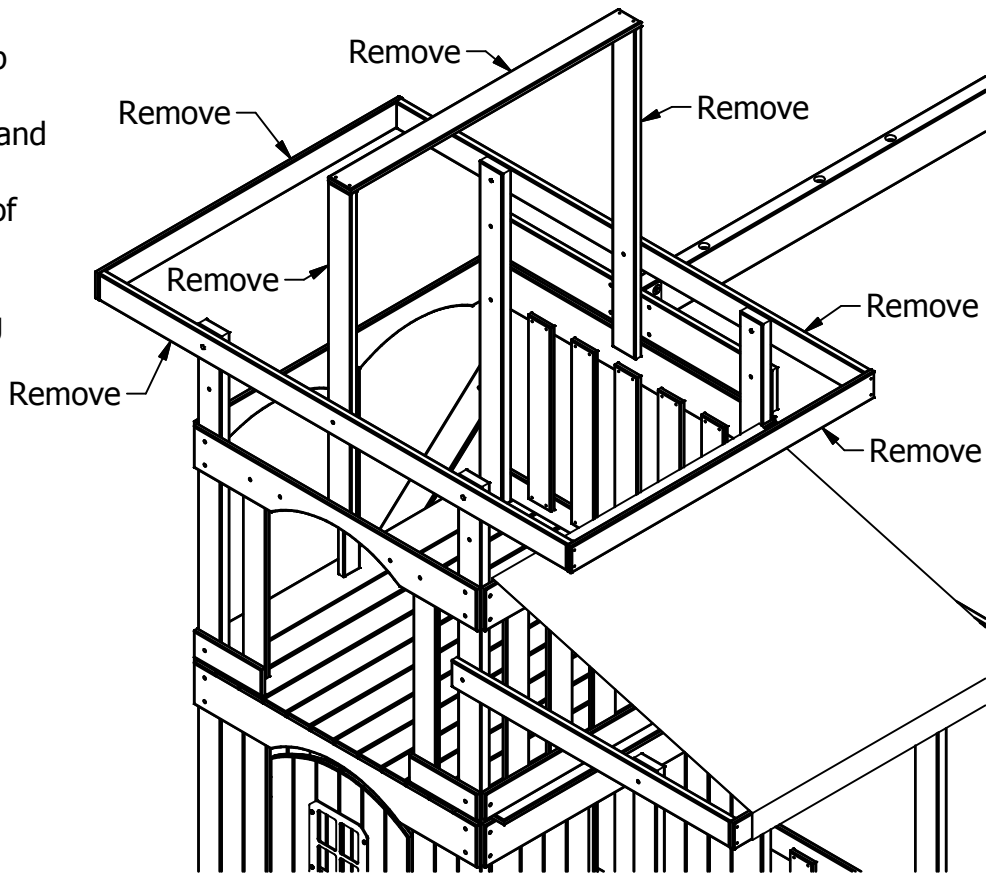
Screw - #8x $\frac{3}{4}$ " - A100070

Qty. 9

Tarp Roof Removal

Step 1

Remove tarp and tarp support boards as shown. Flat washers and lock washers will be used during wood roof installation. Do not remove T-nuts from upright boards during tarp roof removal.



Wood Roof Installation

Step 1

Install (2) Rafters O3 to form peak. Attach Rafter O3 to upright boards using 2" Hex bolts, lock washers, and flat washers. Repeat on other side.

Wood Parts Required

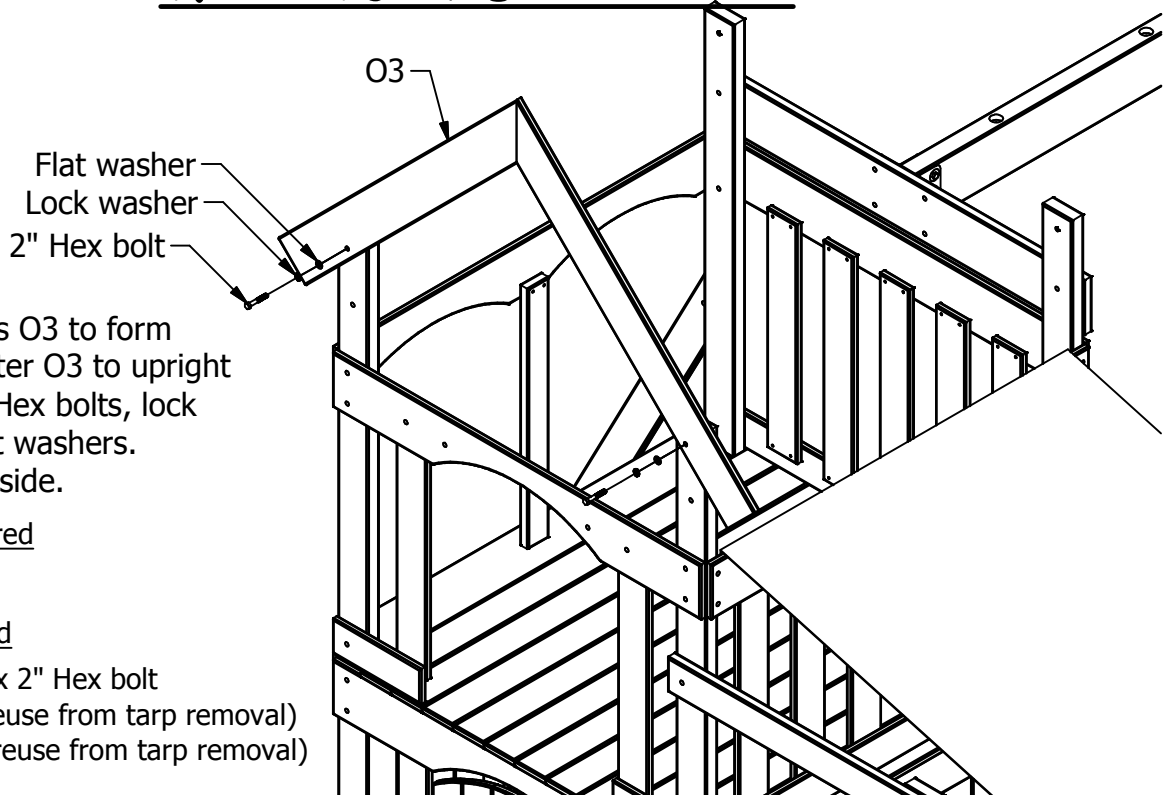
(4) - O3 - Rafter

Hardware Required

(4) H100044 - $\frac{5}{16}$ x 2" Hex bolt

(4) Flat washer (reuse from tarp removal)

(4) Lock washer (reuse from tarp removal)



Wood Roof Installation

Step 2

Secure the top of the O3 rafters with Triangle plates and #14 x $\frac{3}{4}$ screws. Attach Q6 Sunburst board to O3 rafters using #8 x $1\frac{1}{8}$ screws. Q6 should be flush with rafters at the ends and level. Attach Q7 to rafters with #8 x $1\frac{1}{8}$ screws. Q7 should be plumb. Attach Q8 to rafters using #8 x $1\frac{1}{8}$ screws as shown. Repeat for the other side.

Wood Parts Required

(2) - Q6 - Sunburst board

(2) - Q7 - Sunburst board

(4) - Q8 - Sunburst board

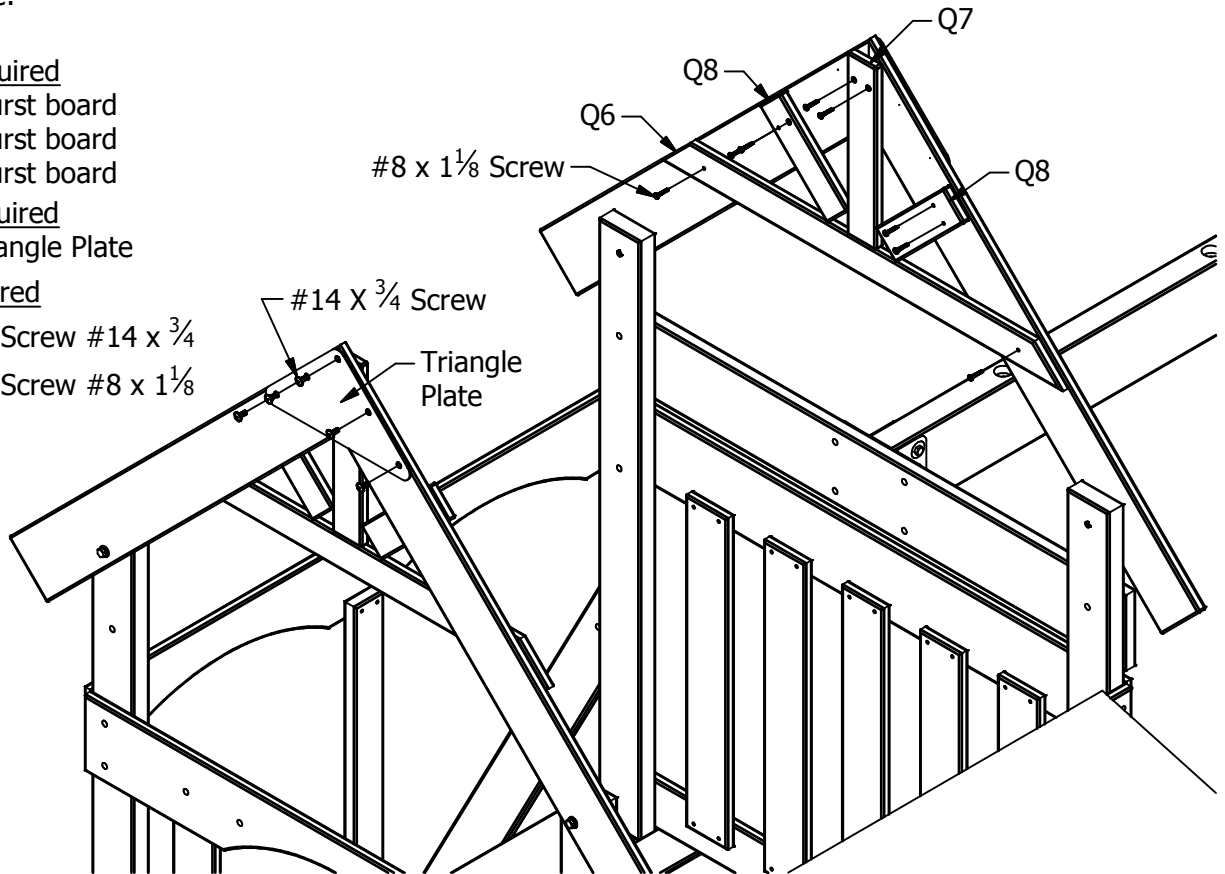
Accessories Required

(2) A100011 Triangle Plate

Hardware Required

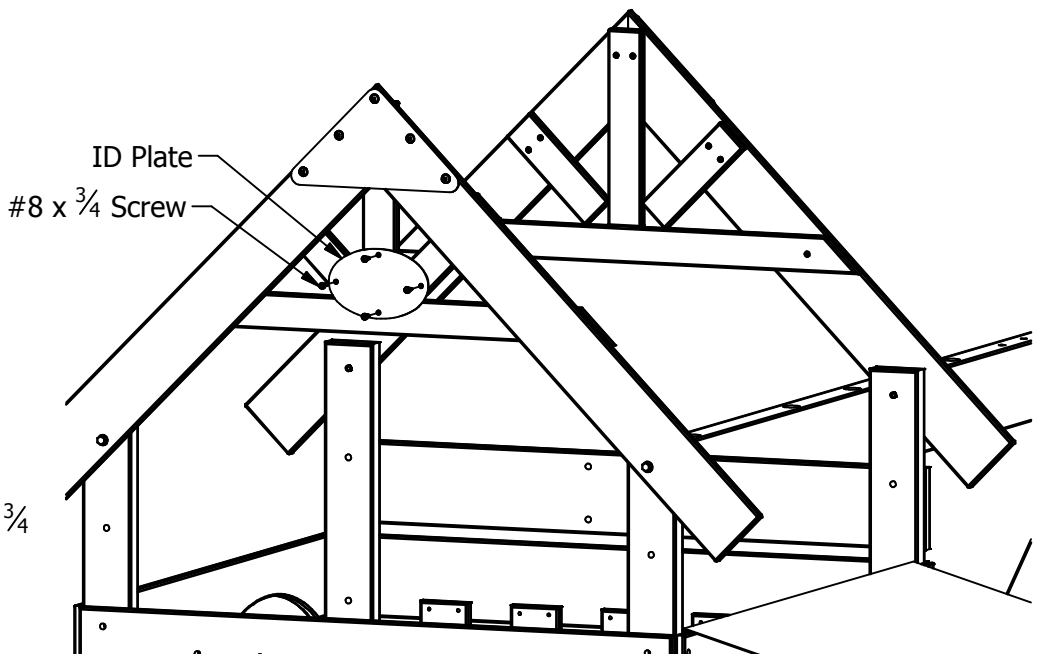
(10) H100083 - Screw #14 x $\frac{3}{4}$

(16) H100088 - Screw #8 x $1\frac{1}{8}$



Step 3

Attach ID Plate as shown using #8 x $\frac{3}{4}$ screws.



Accessories Required

(2) A100020 ID Plate

Hardware Required

(8) H100070 - Screw #8 x $\frac{3}{4}$

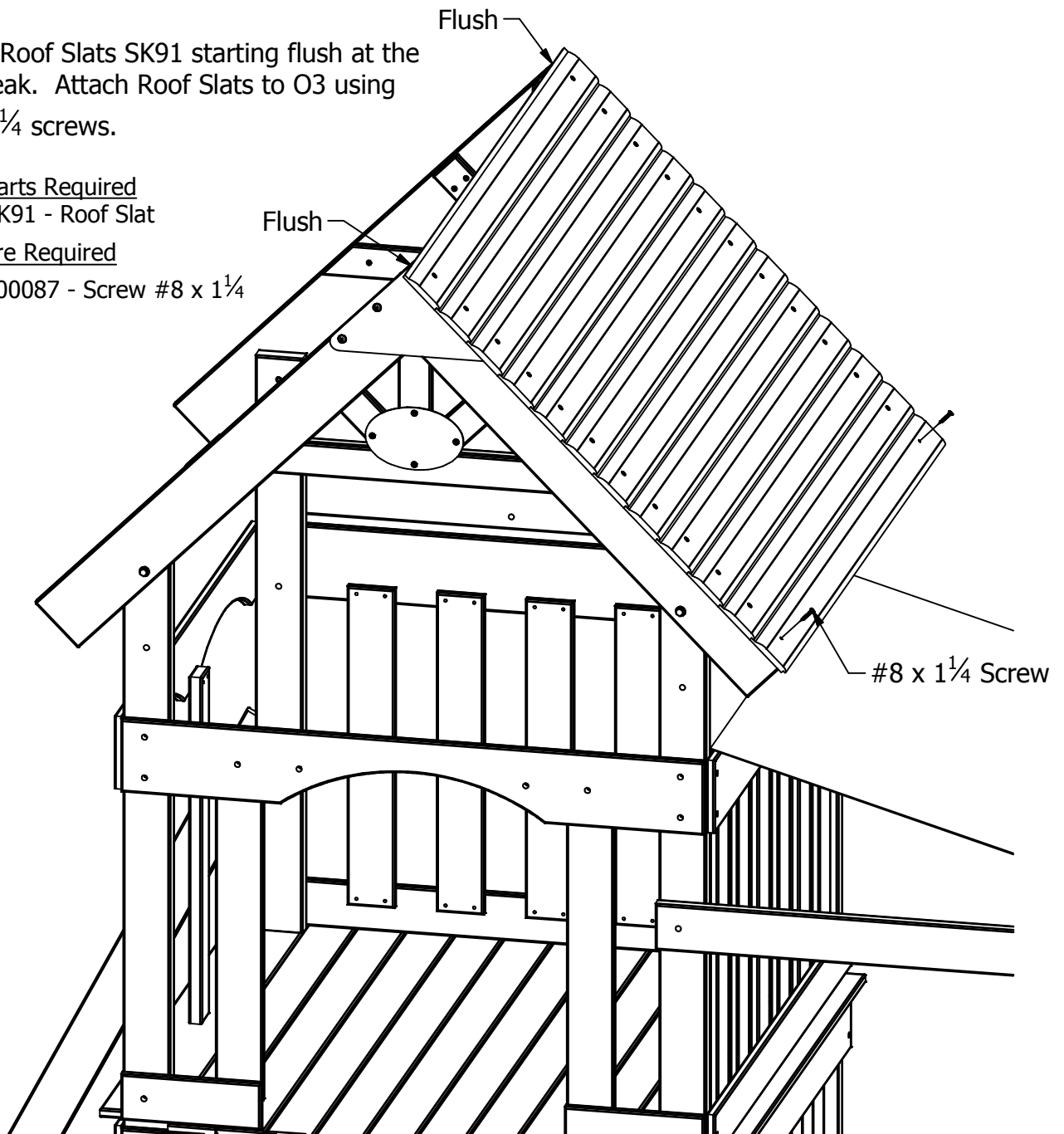
Wood Roof Installation

Step 4

Install Roof Slats SK91 starting flush at the roof peak. Attach Roof Slats to O3 using #8 x 1 $\frac{1}{4}$ screws.

Wood Parts Required
(24) - SK91 - Roof Slat

Hardware Required
(48) H100087 - Screw #8 x 1 $\frac{1}{4}$



Assembly Instructions

BACKYARD



DISCOVERY™

DOOR KIT

Manufacturer: Backyard Discovery
 3001 North Rouse
 Pittsburg, KS 66762

Made in China

INS-65009DOOR-01
Rev. 03/11/2010

Door Parts Identification



P15 - W100918 - Door Board - .625" x 3.375" x 36.25" (16mm x 86mm x 920mm) - Qty 2



P16 - W100919 - Door Board - .625" x 3.375" x 35" (16mm x 86mm x 890mm) - Qty 1



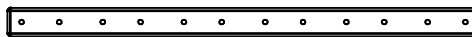
P17 - W100920 - Door Board - .625" x 3.375" x 35" (16mm x 86mm x 890mm) - Qty 1



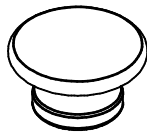
P18 - W100921 - Door Board - .625" x 3.375" x 21.75" (16mm x 86mm x 552mm) - Qty 2



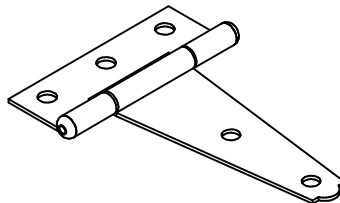
P19- W100922 - Door Board - .625" x 3.375" x 6.25" (16mm x 86mm x 160mm) - Qty 2



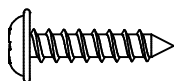
R2 - W100923 - Door Support - .625" x 1.1875" x 19.6875" (16mm x 30mm x 500mm) - Qty 3



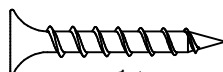
Knob - A100071
Qty. 1



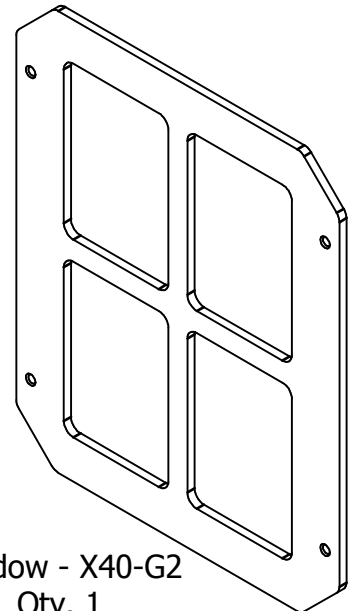
Hinge w/ screws - A100093
Qty. 2



Screw - #8x³/₄" - A100070
Qty. 5



Screw - #8x1¹/₈" - A100088
Qty. 40



Window - X40-G2
Qty. 1

Door Assembly

Step 1

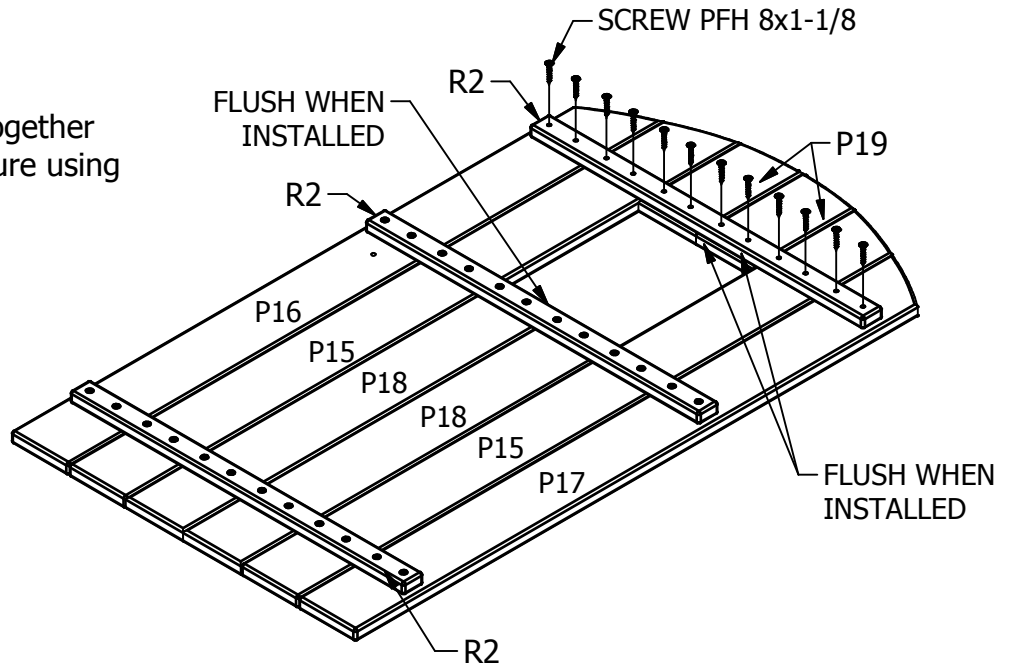
Lay Door Boards as shown and together using Door Supports boards. Secure using $1\frac{1}{8}$ " wood screws as shown.

Wood Parts Required

- (2) - P15 - Door Boards
- (1) - P16 - Door Boards
- (1) - P17 - Door Boards
- (2) - P18 - Door Boards
- (2) - P19 - Door Boards
- (3) - R2 - Door Support

Hardware Required

- (12) H100088 - Screw 8x1-1/8

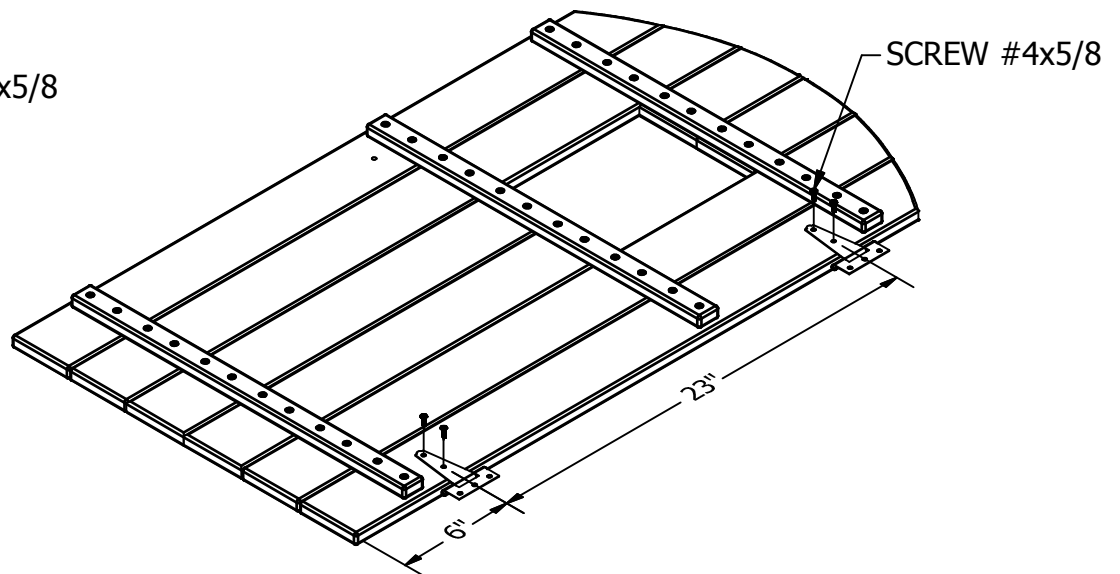


Step 2

Attach hinges approximately where shown using (4) #4 x $\frac{5}{8}$ " screws.

Hardware Required

- (2) A100071 Hinges
- (4) A100071 Screw 4x5/8



Door Assembly

Step 3

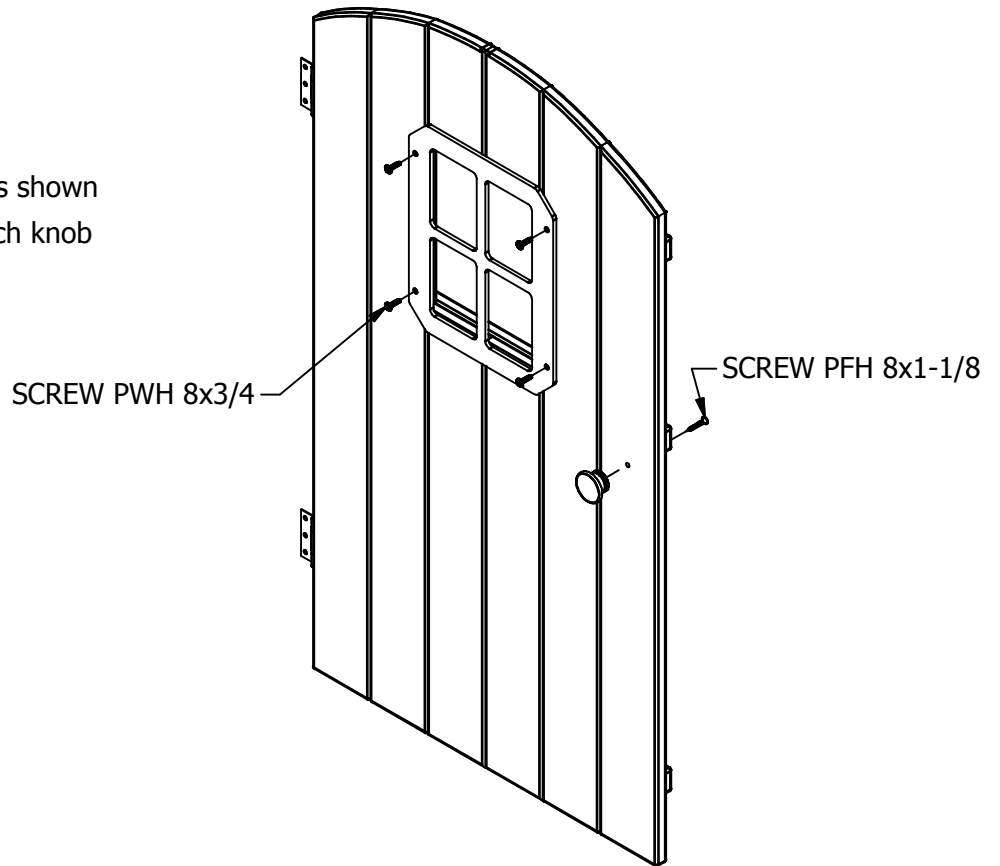
Attach Window to door assembly as shown using screw $8 \times \frac{5}{8}$ as shown. Attach knob using $8 \times 1\frac{1}{2}$ screw as shown.

Accessories Required

- (1) X40-G2 Window
- (1) A100071 Knob

Hardware Required

- (1) H100088 Screw $8 \times 1-1/8$
- (4) H100070 Screw $8 \times 3/4$



Step 4

Attach door to lower cabin as shown leaving approximately $\frac{3}{4}$ " gap between the door and ground board.

Hardware Required

- (6) H100070 Screw $8 \times 3/4$

Door Installation

Wall not shown for assembly.

